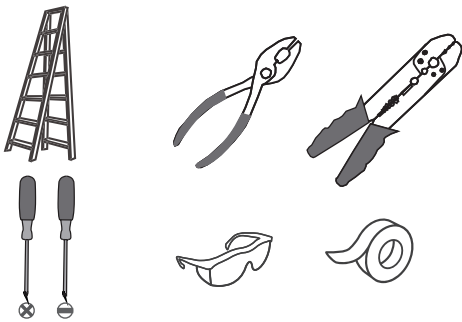
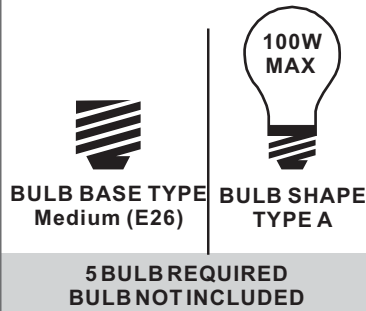


**Tools Required**



**Light Source**



**Fixture Height Adjustable 18" to 48"**

**Warnings and Cautions**

Turn off the electricity at the circuit breaker before installation. Consult a licensed electrician if in doubt about installation.

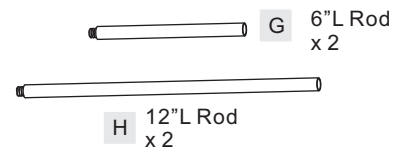
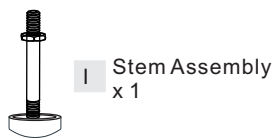
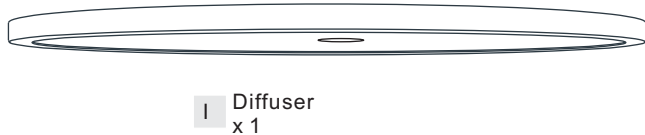
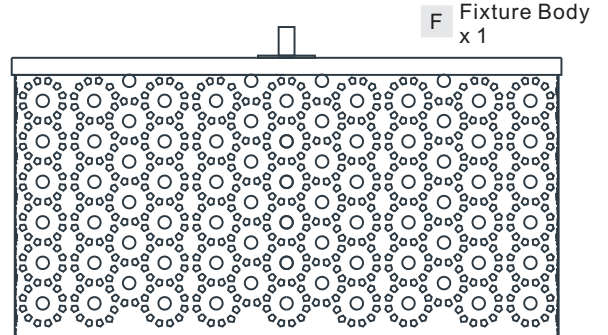
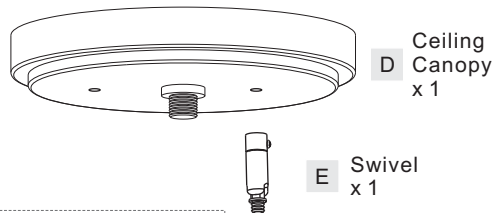
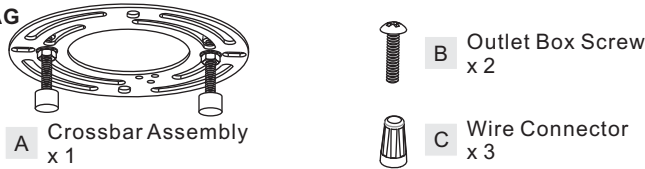
Turn off power to the fixture and allow the bulbs to cool before replacing.

**Package Contents**

**Preparation:** Identify and inspect all parts before beginning the installation.

Missing or damaged parts? Contact your original place of purchase.

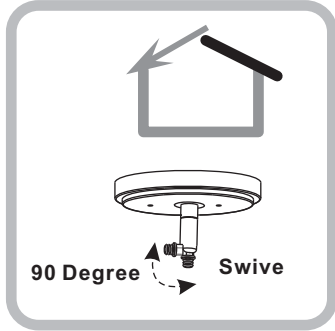
**PARTS BAG**



**Table of Contents**

Crossbar Assembly	Downrod	Lanyard	Wiring	Ceiling Canopy	Bulb and Diffuser
<b>STEP 1</b>	<b>STEP 2</b>	<b>STEP 3</b>	<b>STEP 4</b>	<b>STEP 5</b>	<b>STEP 6</b>

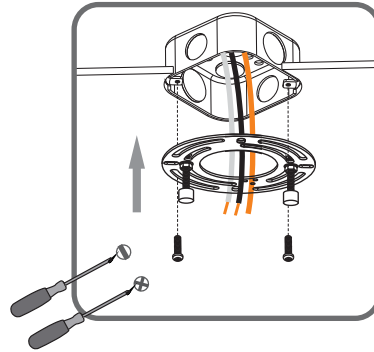
## STEP 1



For angled ceilings,  
Swivel opening towards wall.

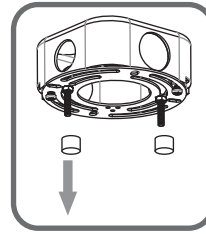
1

**Step 1**  
Install crossbar assembly

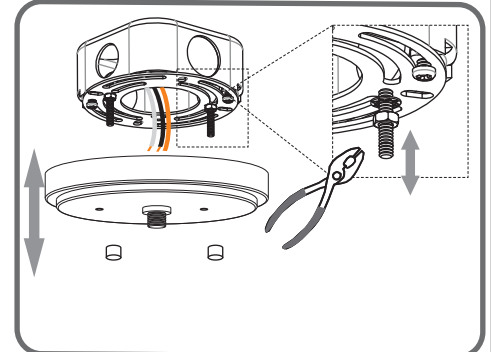


2

**Step 2 - 3**  
Test fitting ceiling canopy to  
mounting screws

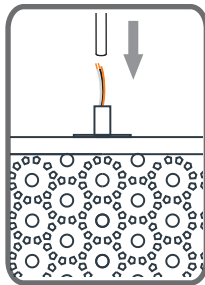


3

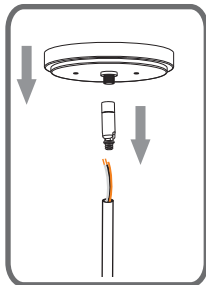


## STEP 2

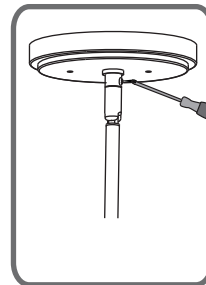
1



2

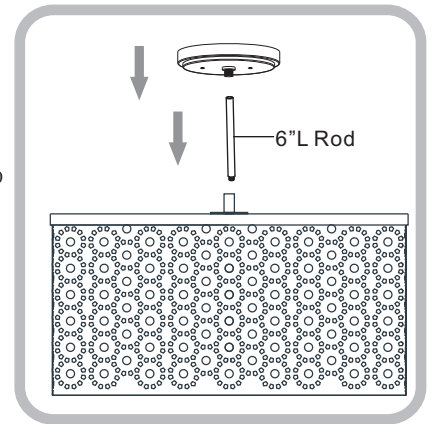
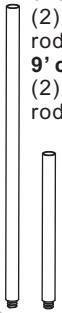


3



### Optional Rods

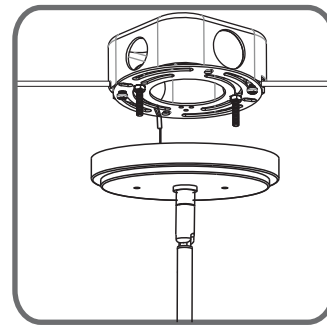
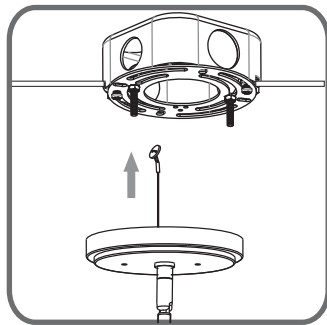
**8' ceiling:**  
(2) 6" L + (1) 12" L  
rods  
**9' ceiling:**  
(2) 6" L + (2) 12" L  
rods



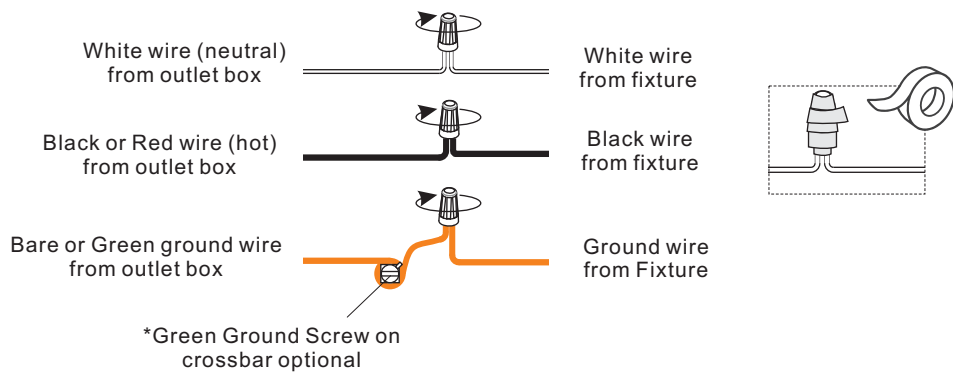
**OPTION 1**

**OPTION 2**

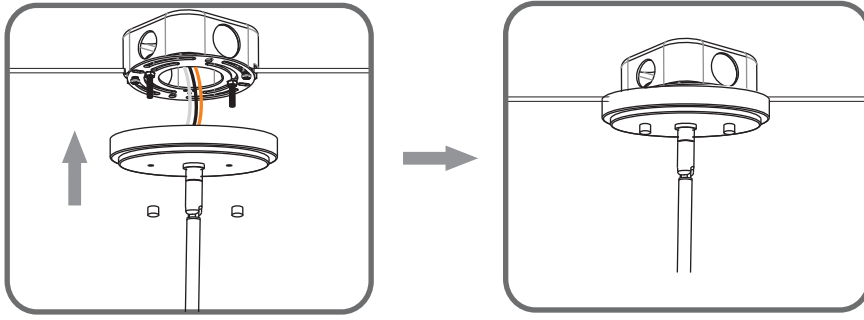
## STEP 3



## STEP 4



**STEP 5**



**STEP 6**

