

Please go to www.quoise.com for product cleaning tips. Go to the **Care + Maintenance** selection.

Tools Required: Flathead screwdriver, Phillips screwdriver, pliers, wire cutters, wire strippers, electrical tape, safety glasses, marking pen, 1/8" drill bit and drill.

Light Source: Integrated LED 27W

Estimated Assembly Time: 30-45 minutes

Preparation: Identify and inspect all parts before beginning installation. Check package content list and diagrams below to be sure all parts are present. If any parts are missing or damaged, do not attempt to assemble, install, or operate the fixture. Missing Parts? Contact your original place of purchase.

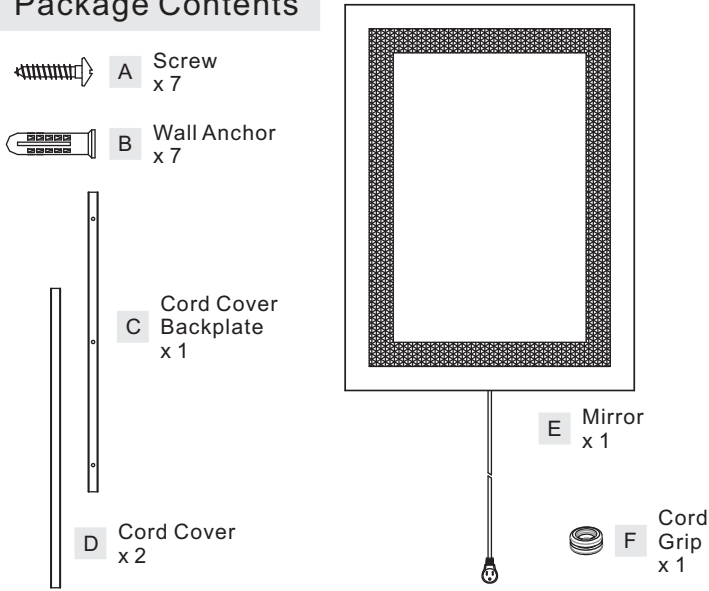
Note: This mirror can be mounted over an electrical junction box or on the wall and plugged into an outlet.

⚠ Warnings and Cautions

Turn off electricity at circuit breaker or main fuse box before installation. Consult a licensed electrician if in doubt.

These instructions are provided for your safety. It is very important you read them completely before installing the fixture. We strongly recommend that a licensed, professional electrician perform the installation.

Package Contents



Step 2A - Identify Locations for Wall Anchors

A. The template is provided to assist you in mounting the mirror. The template is a full size drawing of your mirror and includes the wall anchor mounting locations that can easily be transferred to the wall, or use the mirror backplate.

Place the template or the mirror back plate on the wall in the location selected for the mirror. Make sure the template or mirror back plate is level and in the correct position. Secure the template to the wall then mark the locations of the 4 wall anchors as indicated on the template. Remove the template from the wall.

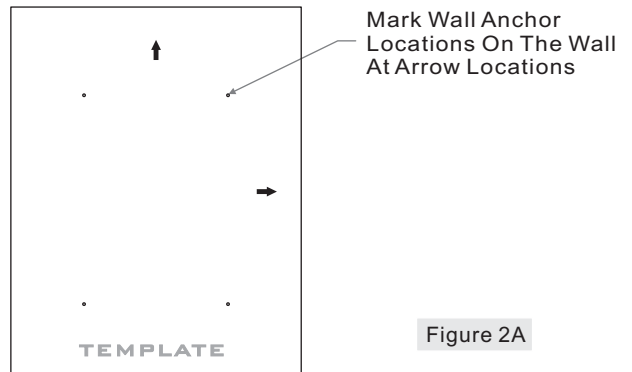
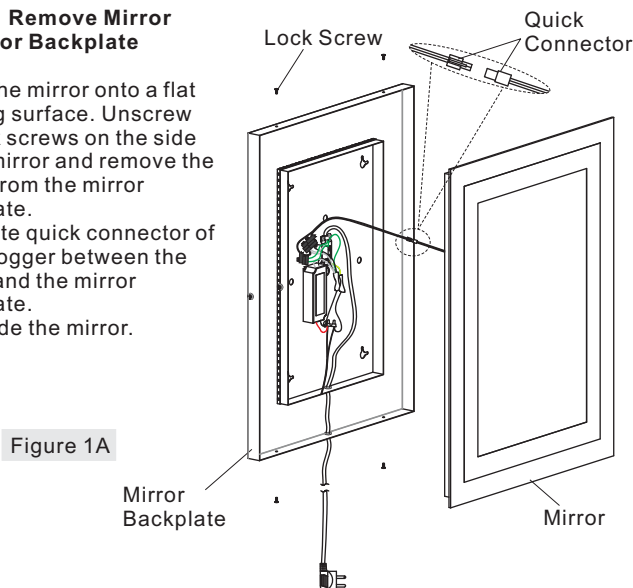


Figure 2A

SEPARATE MIRROR AND BACKPLATE

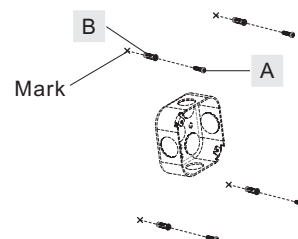
Step 1A - Remove Mirror from Mirror Backplate

- Place the mirror onto a flat working surface. Unscrew (4) lock screws on the side of the mirror and remove the mirror from the mirror backplate.
- Separate quick connector of the defogger between the mirror and the mirror backplate.
- Set aside the mirror.



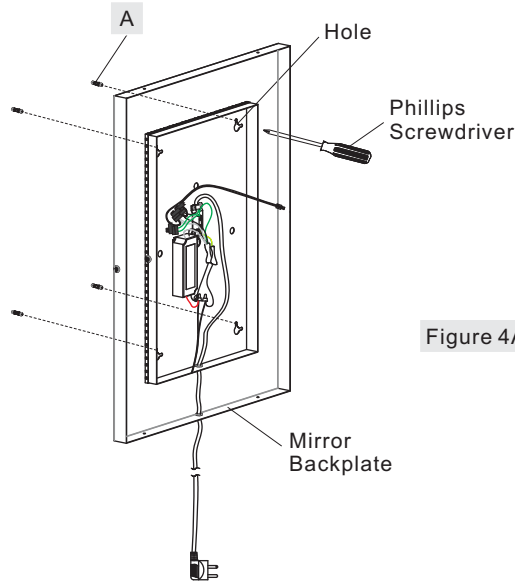
Step 3A - Installing 4 Wall Anchors and Screws

- Using a 1/8" drill bit, drill holes at each (4) locations marked on the wall surface.
- Insert Wall Anchors (B) into drilled holes completely.
- Thread Screws (A) into Wall Anchors (B) and leave approximately 3mm extending from wall surface.



STEP 4A - Final Mirror Assembly

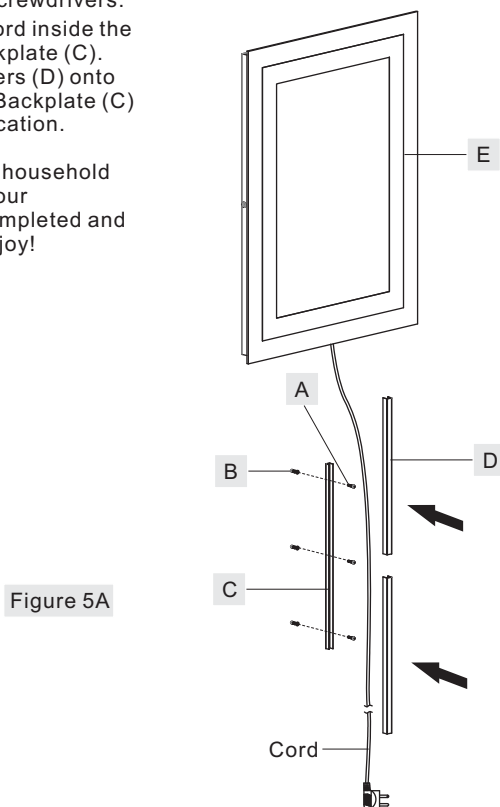
- With the help of another person place the mirror backplate onto the Screws (A). Making sure each hole is securely hung onto the Screws (A) before letting go of the mirror backplate.
- Use a Phillips Screwdriver, thread the Screws (A) until snug to secure the mirror backplate.
- Follow Step 1A to attach the mirror to the back plate.



STEP 5A - Install Cord Cover Backplate and Cover Covers

- Align the Cord Cover Backplate (C) to your desired location on the wall. Mark the mounting locations on the wall from the holes on the Cord Cover Backplate (C).
- Drill a hole for Wall Anchors (B) at each location identified with a 1/8" drill bit. Place the Wall Anchor (B) into each hole.
- Attach the Cord Cover Backplate (C) by using Screws (A). Tighten until snug with screwdrivers.
- Place the plug cord inside the Cord Cover Backplate (C). Press Cord Covers (D) onto the Cord Cover Backplate (C) in the desired location.

Clean glass with household glass cleaner. Your installation is completed and ready to use. Enjoy!

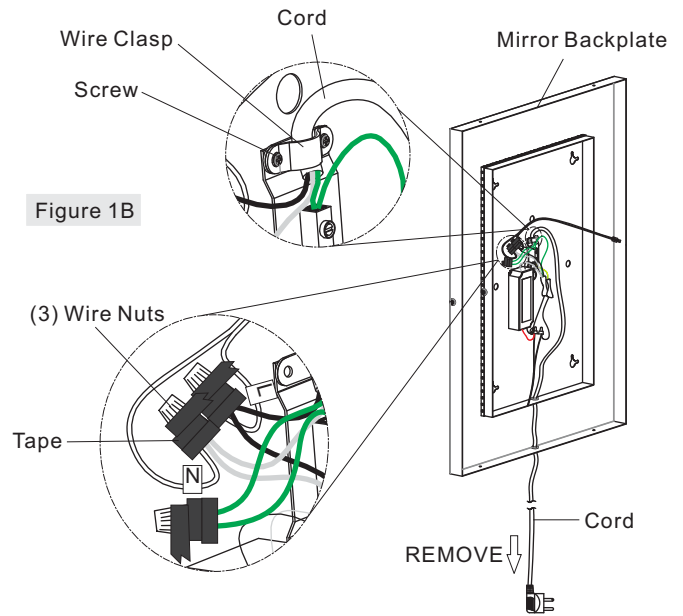


MOUNTING MIRROR IN THE HORIZONTAL AND RELOCATE THE CORD PLUG

FOLLOW STEP 1A FIRST.

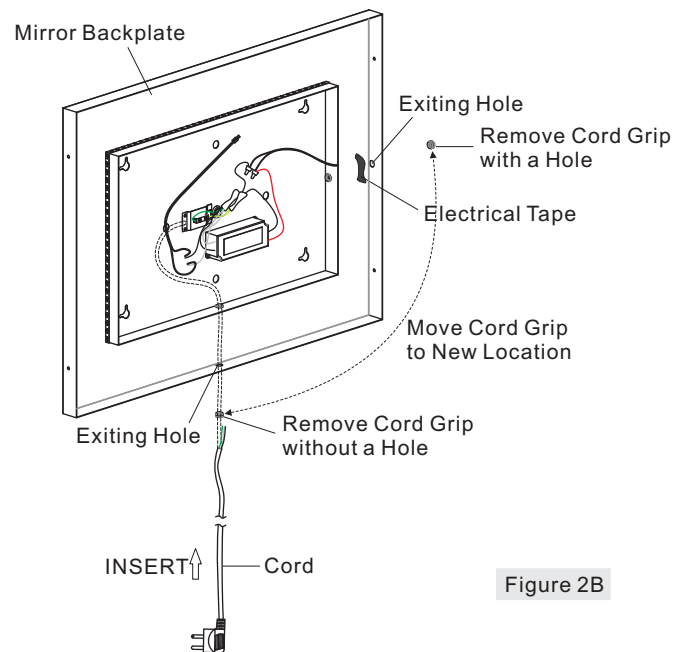
Step 1B - Changing the Cord From the Vertical Mounting to Horizontal Mounting When Using the Cord to Plug into an Outlet

- By using screwdriver, loosen screws to open the wire clasp and remove the cord from wire clasp.
- Tear off tape on (3) wire nuts and untwist wire nuts to separate wires.
- Carefully pull the cord out of the mirror backplate.
- Keep the "L", "N" labels on the defogger wires.



Step 2B - Insert Cord for Horizontal Mounting

- Remove the cord grip from the existing location where the cord exists the back plate and place the cord grip into the new cord location for horizontal mounting.
- Use electrical tape to cover the hole inside of the previous cord exit to block light from shining through the hole.
- Insert the cord in the existing hole for horizontal mounting.



Step 3B - Making the Wire Connections

- Twist (3) wire nuts until wires are tightly joined together. Wrap each connection with approved electrical tape.
- Secure the Cord to Wire Clasp and tighten with screwdrivers.
- Go to Steps 2A - 4A to mount the mirror to the wall.
- Go to Step 5A to install the cord covers.

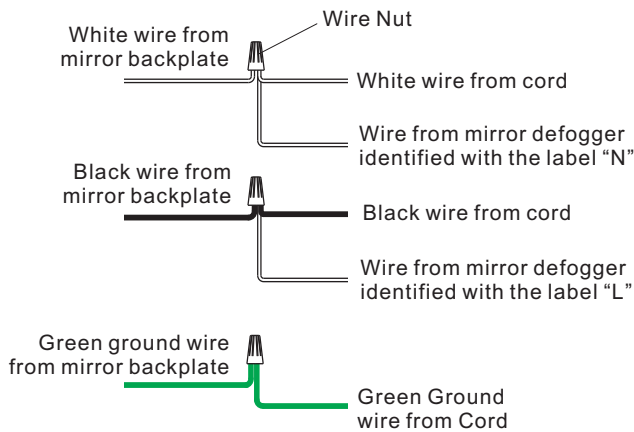
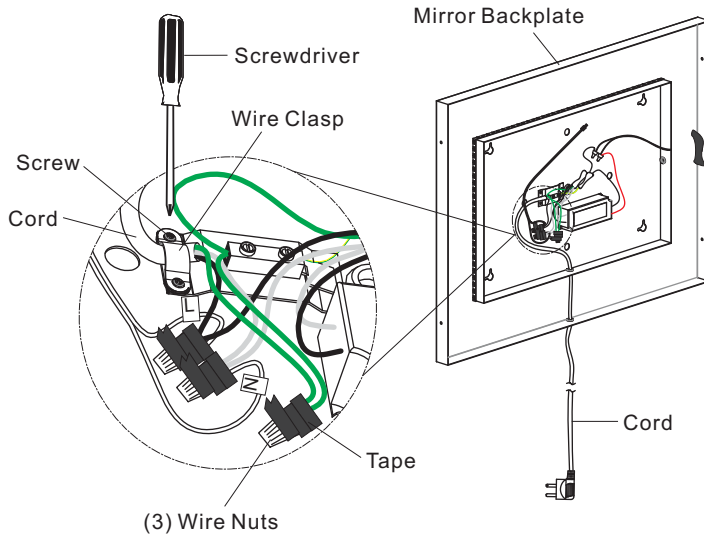


Figure 3B

Step 2C - Place the Cord through the Mirror Backplate

- Place electrical tape over the hole on the inside where the cord was removed. This is to prevent light shining through the hole.
- Determine the electrical junction box location behind the mirror. Use the available hole in the center or the (4) knock out holes to feed the mirror wire to the electrical junction box. If none of these locations meets the junction box. Drill a 5/8" hole in the backplate to align with the electrical junction box.
- Go to Step 3C to connect wires.
- Go to Steps 2A - 4A to mount the mirror to the wall.

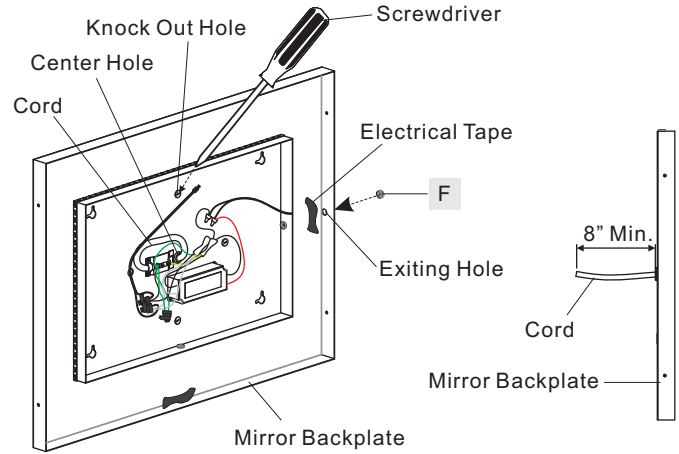


Figure 2C

STEP 3C - Wire Connections

- Wrap bare or green ground wire around green ground screw on the crossbar, no less than 2 inches from the end of the wire. Tighten the green ground screw.
- Strip back the wire covering the 3 fixture wires as far as you need to. This will expose each fixture wire individually. Strip each end of 3 fixture wires.
- Use standard wire connectors (not included) to make all wire connections. Twist connectors until wires are tightly joined together. Wrap each connection with approved electrical tape and carefully stuff all the connected wires into the Outlet Box.

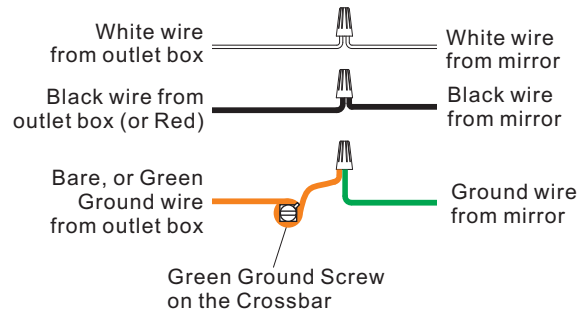


Figure 3C

Clean glass with household glass cleaner. Your installation is completed and ready to use. Enjoy!

DIRECT WIRE OVER AN ELECTRICAL JUNCTION BOX

FOLLOW STEP 1A FIRST.

Step 1C - Cut Cord

- Use wire cutter, cut the cord near the mirror backplate and discard the plug end. Carefully pull the other end of the cord into the mirror backplate.

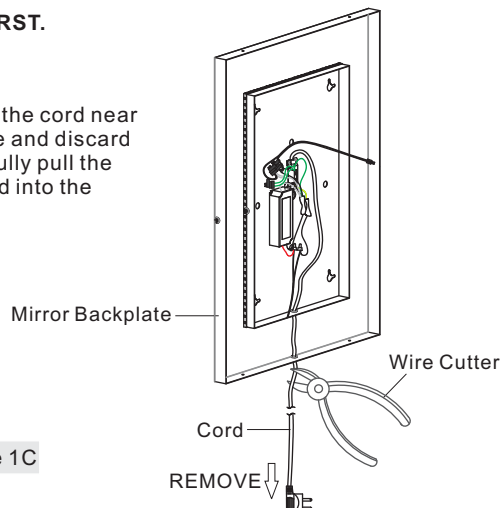
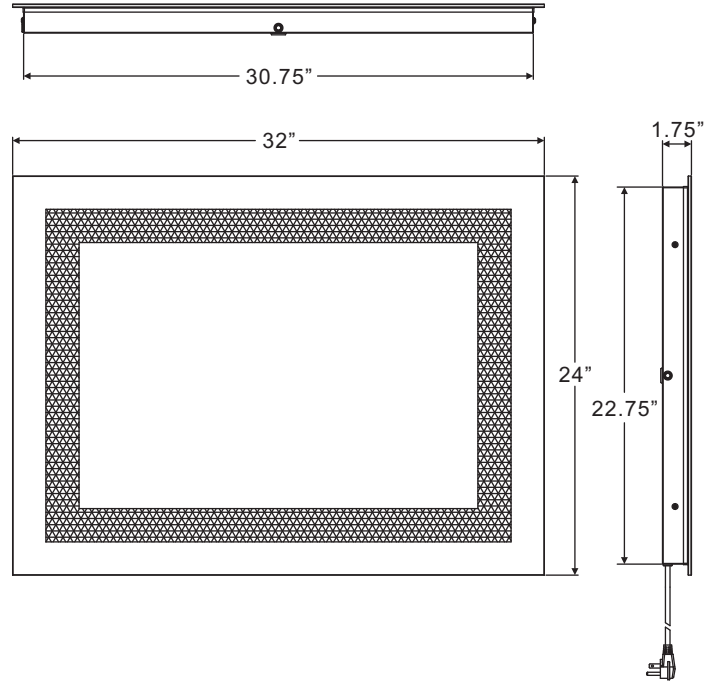
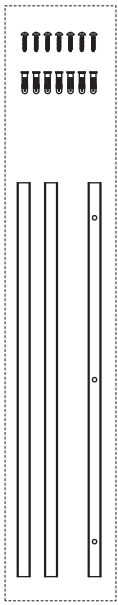


Figure 1C

QR3697



NOTE: ALL DIMENSIONS ARE ROUNDED UP TO THE NEAREST 1/4"