

Please go to www.quoizel.com for product cleaning tips. Go to the **Care + Maintenance** selection.

Tools Required: None.

Light Source: (3) Medium Base Decorative Filament 60W bulb (provided), Maximum 100W, Alternate bulb (3) 23W CFL Maximum.

Estimated Assembly Time: 15-20 minutes

Preparation: Identify and inspect all parts before beginning installation. Check package content list and diagrams below to be sure all parts are present. If any parts are missing or damaged, do not attempt to assemble, install, or operate the fixture. Contact customer service for replacement parts.

⚠ Warnings and Cautions

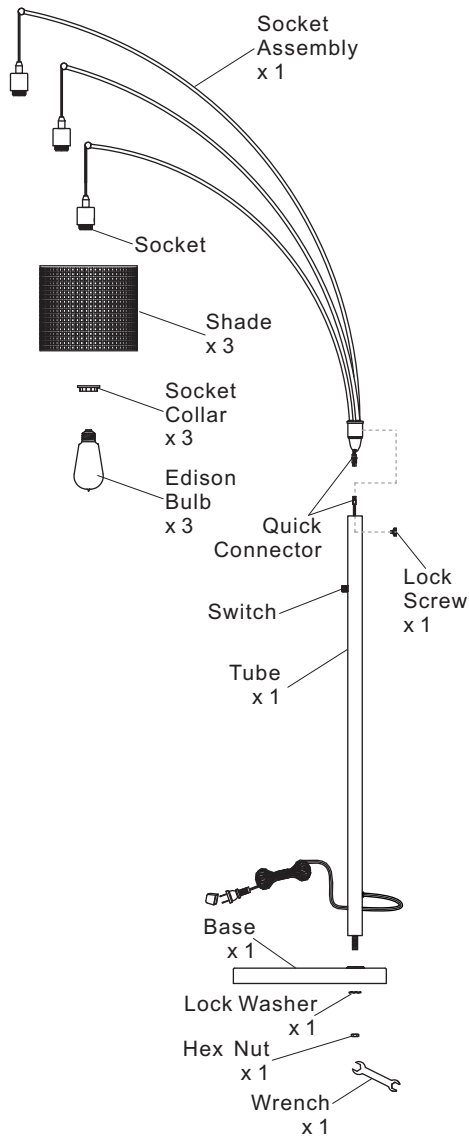
Turn off electricity at circuit breaker or main fuse box before installation. Consult a licensed electrician if in doubt.

These instructions are provided for your safety. It is very important you read them completely before installing the fixture. We strongly recommend that a licensed, professional electrician perform the installation.

Disconnect fixture from power source before replacing bulbs. Make sure bulbs are given sufficient time to cool before removal. Do not subject glass parts to any shock while in operation or shattering may result.

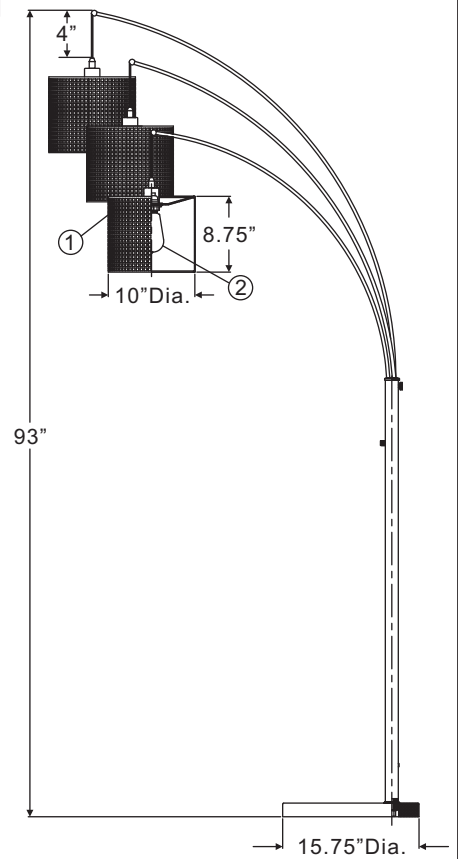
- A. Insert the nipple on the Tube into the Base. Place Lock Washer over the nipple, secure by using Wrench thread the Hex Nut onto the nipple, hand tighten until snug.
- B. Connect the Quick Connectors.
- C. Insert Socket Assembly into the Tube. Line up the hole on the Tube and the mounting hole on the Socket Assembly, secure by threading Lock Screw into the mounting hole. Hand tighten until snug.
- D. This fixture uses Medium Base Decorative Filament 60W bulb, Maximum 100W. Insert bulb and screw snugly into place.

Your fixture is now assembled and ready to use. Enjoy!



Q2606F

NOTE:
 ALL DIMENSIONS ARE
 ROUNDED UP TO THE
 NEAREST 1/4"



(3) Medium Base Decorative Filament 60W bulbs (provided), Maximum 100W.

NO.	PART NUMBER	REPLACEMENT PART	REQ.
1	M12753SH	SHADE	3
2	I1101EC	VINTAGE BULB	3

Thank you for purchasing a Quoizel product.
 Need assistance with parts or assembly? Call Quoizel customer service at 1-631-273-2700
 or visit us on-line at www.quoizel.com