

Please go to [www. quozel. com](http://www. quozel. com) for product cleaning tips. Go to the **Care + Maintenance** selection.

**Tools Required:** Flathead screwdriver, Phillips screwdriver, pliers, wire cutters, wire strippers, electrical tape, safety glasses.

**Light Source:** (2) Candelabra Base Bulbs 60W Maximum

**Estimated Assembly Time:** 20-30 minutes

**Preparation:** Identify and inspect all parts before beginning installation. Check package content list and diagrams below to be sure all parts are present. If any parts are missing or damaged, do not attempt to assemble, install, or operate the fixture. Contact customer service for replacement parts.

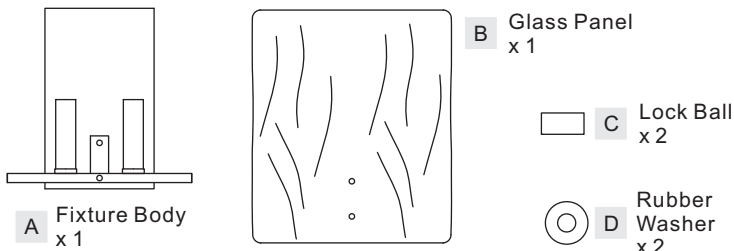
### ⚠ Warnings and Cautions

Turn off electricity at circuit breaker or main fuse box before installation. Consult a licensed electrician if in doubt.

These instructions are provided for your safety. It is very important you read them completely before installing the fixture. We strongly recommend that a licensed, professional electrician perform the installation.

Disconnect fixture from power source before replacing bulbs. Make sure bulbs are given sufficient time to cool before removal.

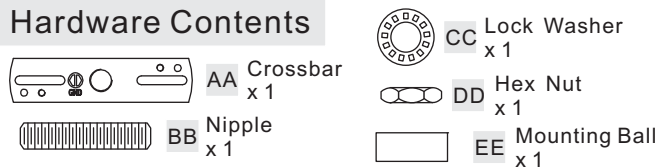
### Package Contents



### (Step 2 Continued)

screwing the Nipple (BB) in or out of the Crossbar (AA) until the correct length is achieved. Once the backplate of Fixture Body (A) is secure, remove the Mounting Ball (EE) and Fixture Body (A) and proceed to step 3.

### Hardware Contents



### STEP 3 - Wire Connections

A. Use standard wire connectors (not included) to make all wire connections. Twist connectors until wires are tightly joined together. Wrap each connection with approved electrical tape and carefully stuff all the connected wires into the Outlet Box.

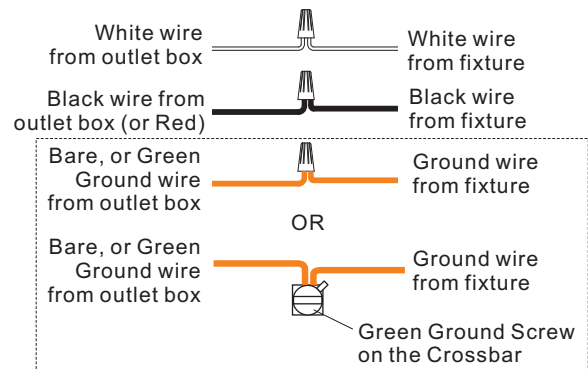


Figure 3

### STEP 1 - Install Crossbar and Nipple

A. Secure the Crossbar (AA) to the Outlet Box with Outlet Box Screws. Tighten until snug.

B. Thread the Hex Nut (DD) onto one end of the Nipple (BB). Place the Lock Washer (CC) over the Hex Nut end of the Nipple (BB) and then thread the Nipple (BB) into the center lock hole of the Crossbar (AA). Using pliers, thread the Hex Nut (DD) against the Crossbar (AA) and hand tighten until snug.

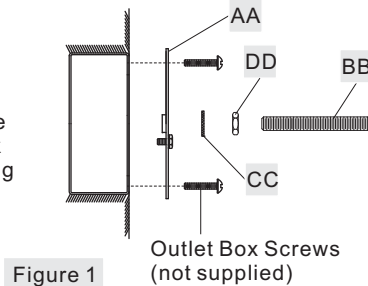


Figure 1

### STEP 4 - Install Fixture Body

A. Carefully tuck all wires into the outlet box and position the backplate of the Fixture Body (A) over the outlet box. Attach the backplate of the Fixture Body (A) over the Nipple (BB) and secure with the Mounting Ball (EE). Hand tighten until snug.

### STEP 2 - Test Fit Fixture Body to Crossbar Assembly

A. Fit the Fixture Body (A) over the Nipple (BB) on the Crossbar (AA) and secure with the Mounting Ball (EE). The Backplate of the Fixture Body (A) should be snug against the wall and the Mounting Ball (EE). If not, adjust the length of the Nipple (BB) on the Crossbar (AA) by unscrewing the Hex Nut (DD) and the Lock Washer (CC) and then

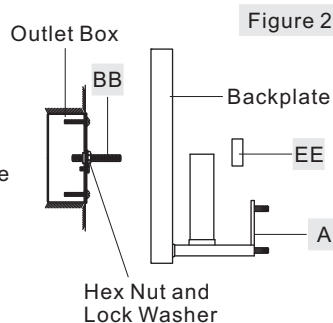


Figure 2

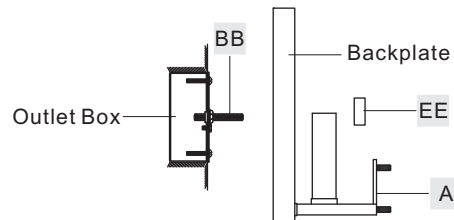


Figure 4

Thank you for purchasing a Quoizel product.  
Need assistance with parts or assembly? Call Quoizel customer service at 1-800-645-3184  
or visit us on-line at [www. quozel. com](http://www. quozel. com)

### STEP 5 - Install Glass Panel and Bulbs

- A. Place the Glass Panel (B) and Rubber Washers (D) over the bolts on the Fixture Body (A) as shown. Secure by threading Lock Balls (C) onto the bolts. Hand tighten until snug.
- B. Insert bulbs onto sockets and screw snugly into place.

Your fixture is now assembled and ready to use. Enjoy!

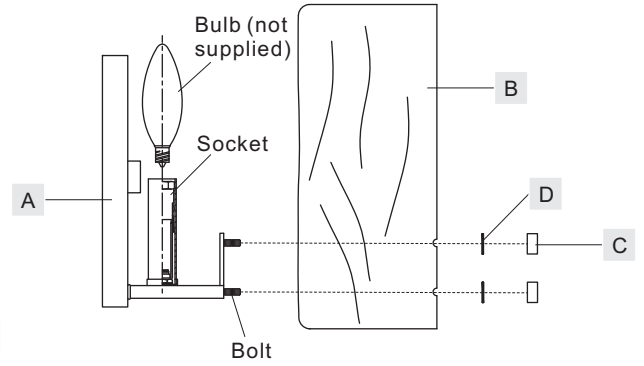
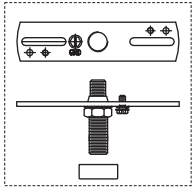


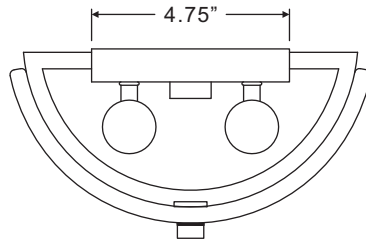
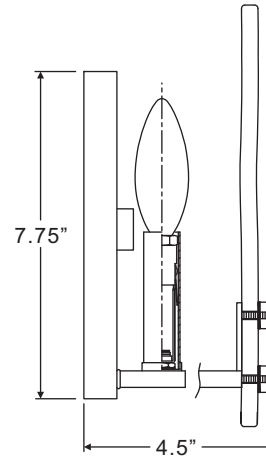
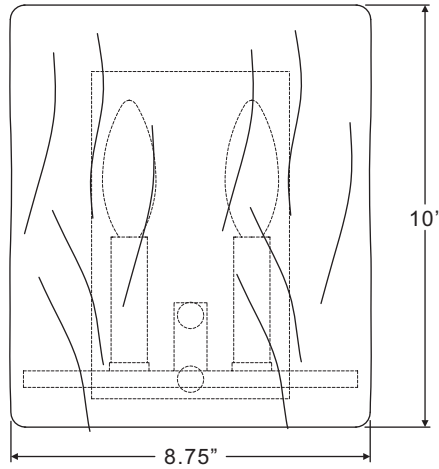
Figure 5

FTS8802MM

FINISH: MOTTLED SILVER



NOTE: ALL DIMENSIONS ARE ROUNDED UP TO THE NEAREST 1/4"



Thank you for purchasing a Quoizel product.  
Need assistance with parts or assembly? Call Quoizel customer service at 1-800-645-3184  
or visit us on-line at [www.quoise.com](http://www.quoise.com)