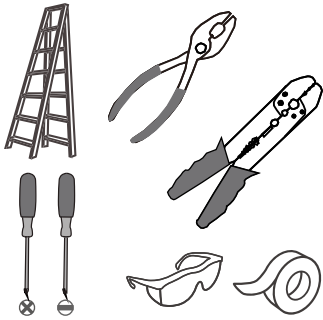
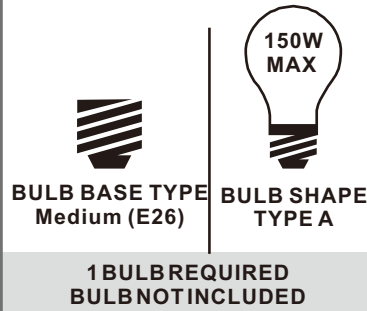


**Tools Required**



**Light Source**



**Warnings and Cautions**

Turn off the electricity at the circuit breaker before installation. Consult a licensed electrician if in doubt about installation.

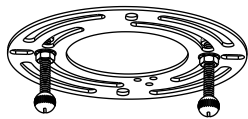
Turn off power to the fixture and allow the bulbs to cool before replacing.

**Package Contents**

**Preparation:** Identify and inspect all parts before beginning the installation.

Missing or damaged parts? Contact your original place of purchase.

**PARTS BAG**



**A** Crossbar Assembly x 1



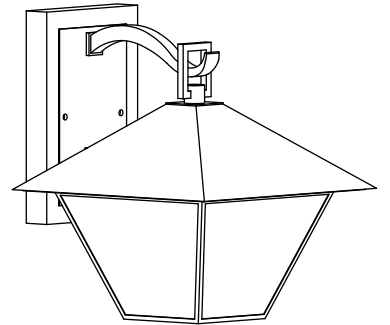
**B** Alternate Mounting Screw x 2



**C** Outlet Box Screw x 2


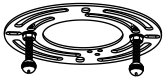
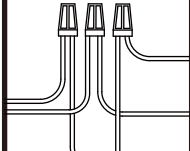
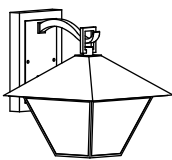

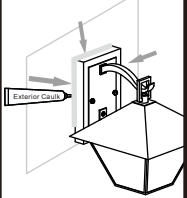


**D** Wire Connector x 3



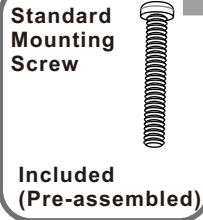
**E** Fixture Body x 1

**Table of Contents**

Alternate Mounting Screw	Crossbar Assembly	Wiring	Fixture Body	Bulb	Caulk
					
STEP 1	STEP 2	STEP 3	STEP 4	STEP 5	STEP 6

# STEP 1

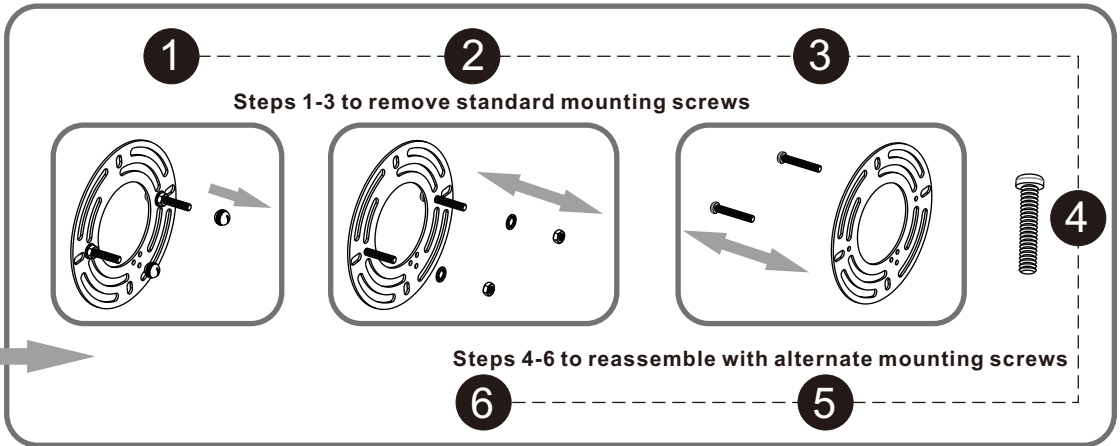
OPTION 1



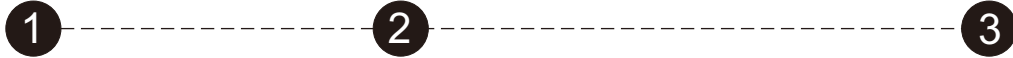
OPTION 2



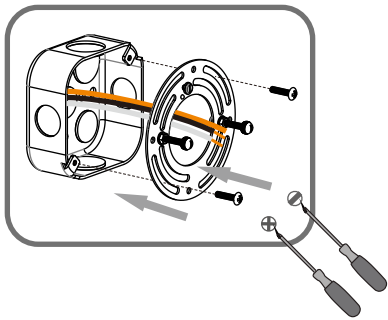
skip to next page



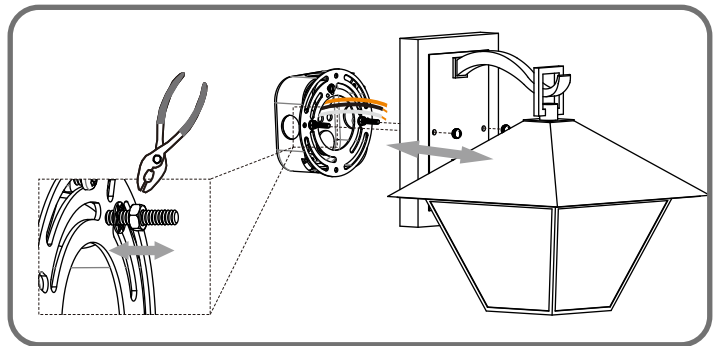
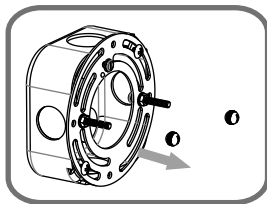
# STEP 2



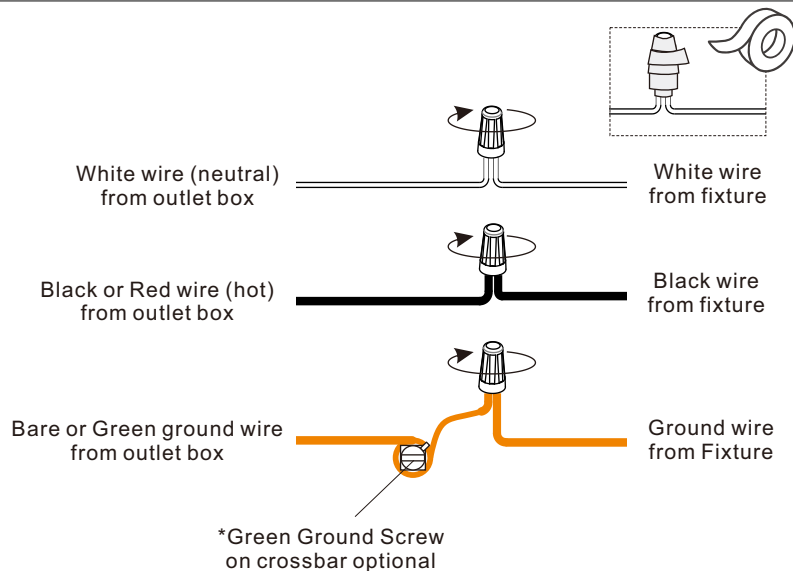
Step 1  
Install crossbar assembly



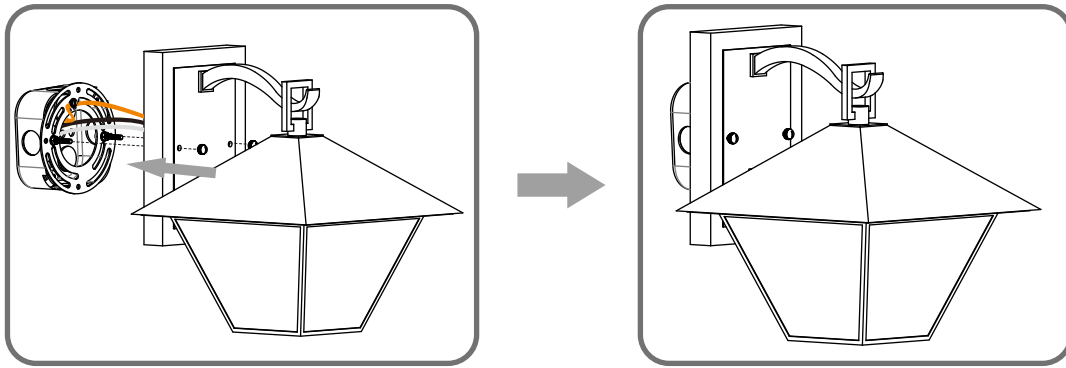
Step 2 - 3  
Test fitting backplate to mounting screws



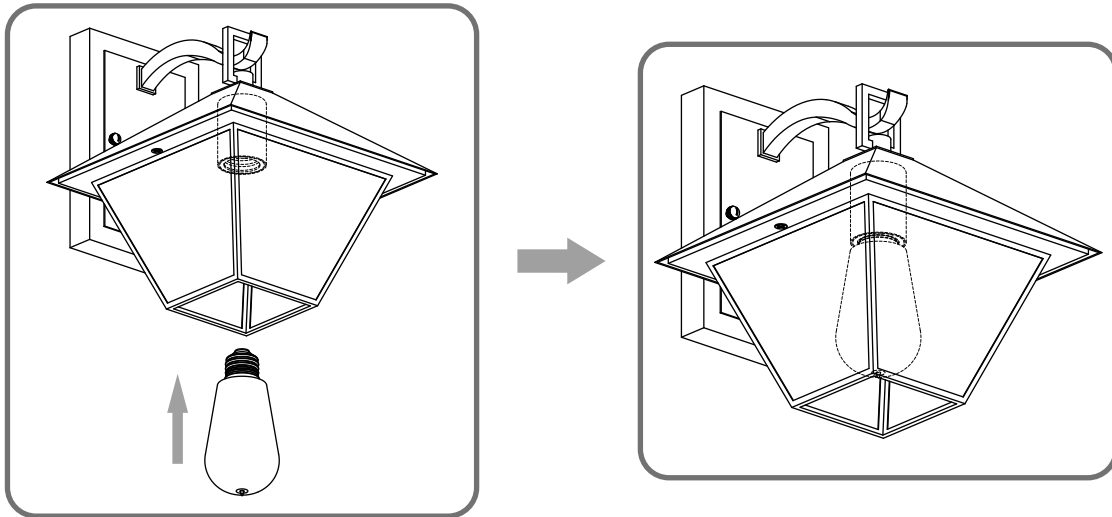
# STEP 3



**STEP 4**



**STEP 5**



**STEP 6**

