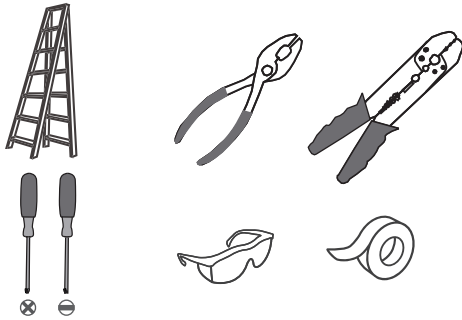
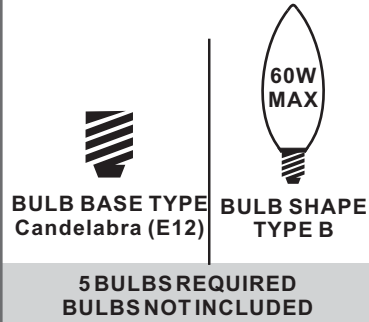


Tools Required



Light Source



**Fixture Height Adjustable
27.75" to 63.75"**

⚠ Warnings and Cautions

Turn off the electricity at the circuit breaker before installation. Consult a licensed electrician if in doubt about installation.

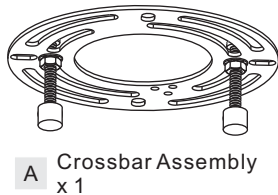
Turn off power to the fixture and allow the bulbs to cool before replacing.

Package Contents

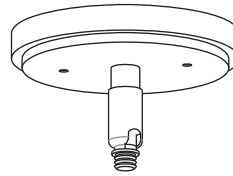
Preparation: Identify and inspect all parts before beginning the installation.

Missing or damaged parts? Contact your original place of purchase.

PARTS BAG



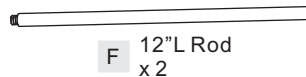
- B** Outlet Box Screw x 2
- C** Wire Connector x 3



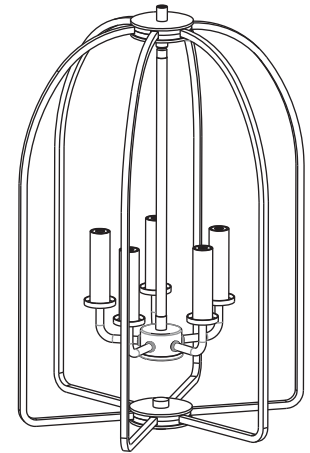
- D** Ceiling Canopy x 1



- E** 6" L Rod x 2



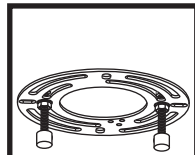
- F** 12" L Rod x 2



- G** Fixture Body x 1

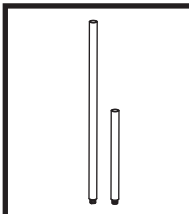
Table of Contents

Crossbar Assembly



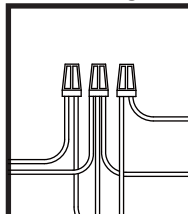
STEP 1

Downrod



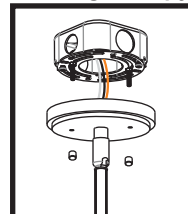
STEP 2

Wiring



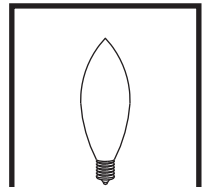
STEP 3

Ceiling Canopy



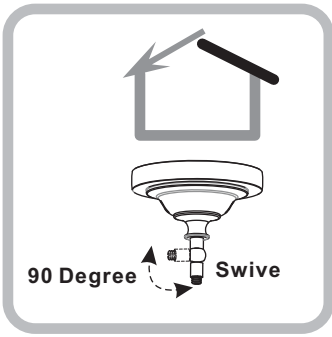
STEP 4

Bulb



STEP 5

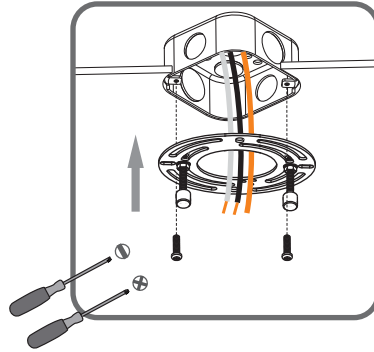
STEP 1



For angled ceilings,
Swivel opening towards wall.

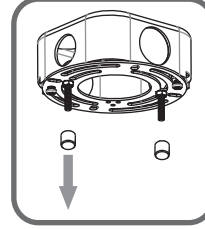
1

Step 1
Install crossbar assembly

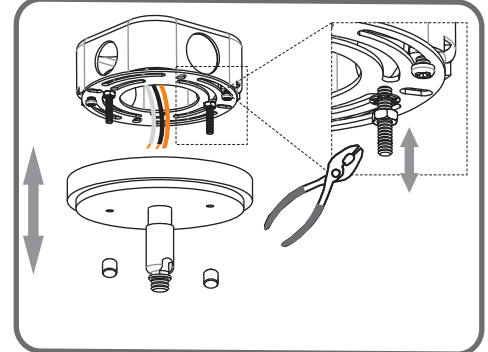


2

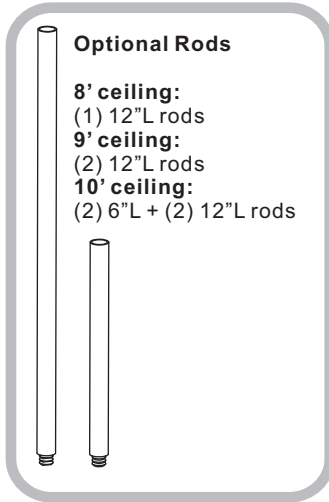
Step 2 - 3
Test fitting ceiling canopy to
mounting screws



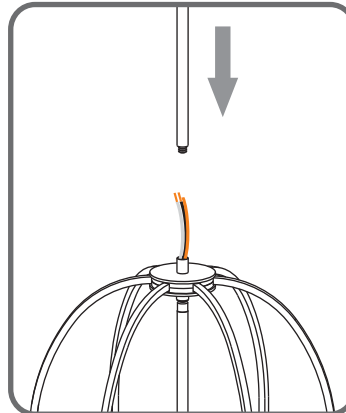
3



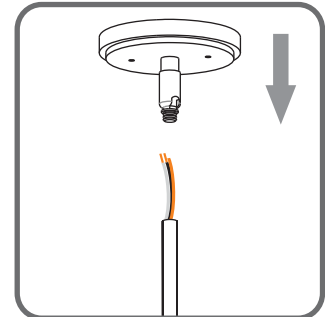
STEP 2



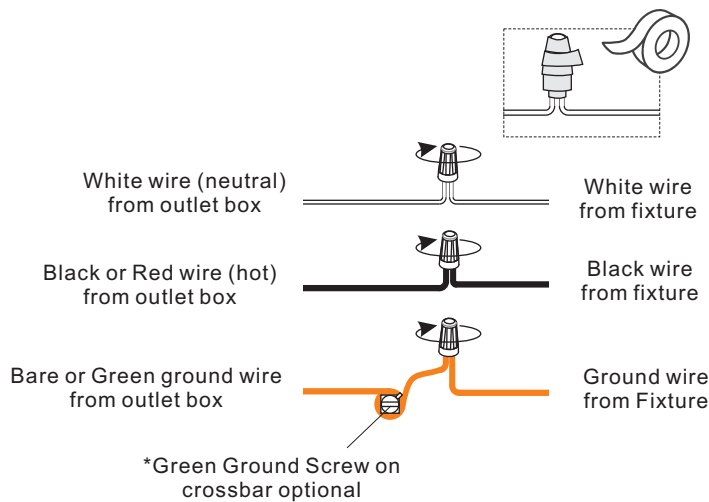
1



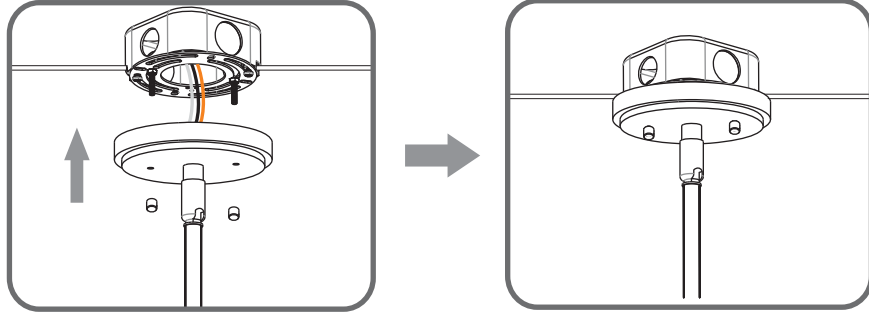
2



STEP 3



STEP 4



STEP 5

