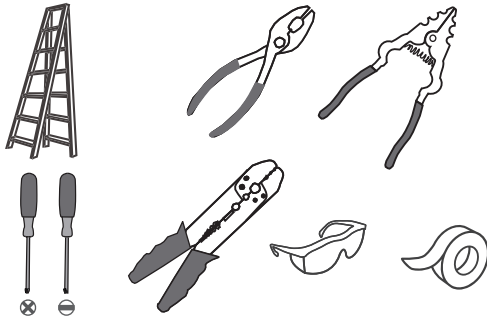
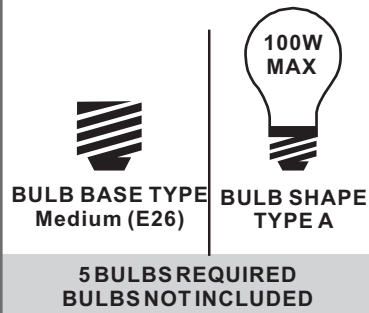


Tools Required



Light Source



**Fixture Height Adjustable
24.5" to 74"**

⚠ Warnings and Cautions

Turn off the electricity at the circuit breaker before installation. Consult a licensed electrician if in doubt about installation.

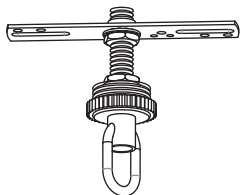
Turn off power to the fixture and allow the bulbs to cool before replacing.

Package Contents

Preparation: Identify and inspect all parts before beginning the installation.

Missing or damaged parts? Contact your original place of purchase.

PARTS BAG



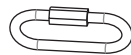
A Crossbar Assembly x 1



B Outlet Box Screw x 2



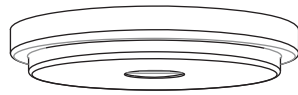
C Wire Connector x 3



D Quick Link x 2



E Fixture Chain x 1



F Ceiling Canopy x 1

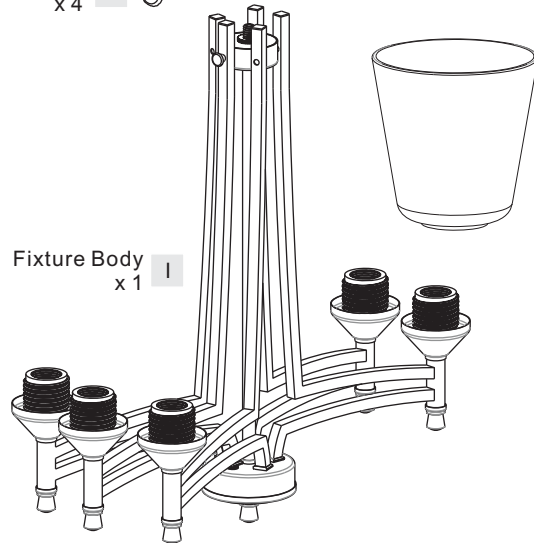


G Fixture Loop x 1

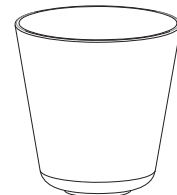
H Lock Screw x 4



J Socket Collar x 5



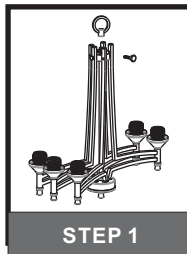
I Fixture Body x 1



K Shade x 5

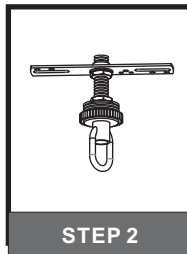
Table of Contents

Unfold arms & Fixture Loop



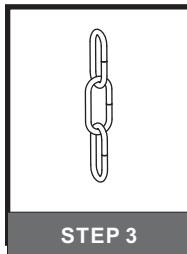
STEP 1

Crossbar Assembly



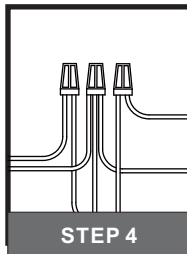
STEP 2

Fixture Chain



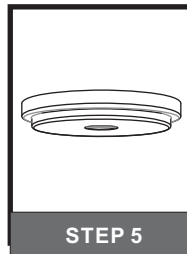
STEP 3

Wiring



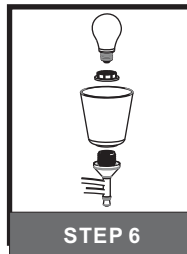
STEP 4

Ceiling Canopy



STEP 5

Shade & Bulb

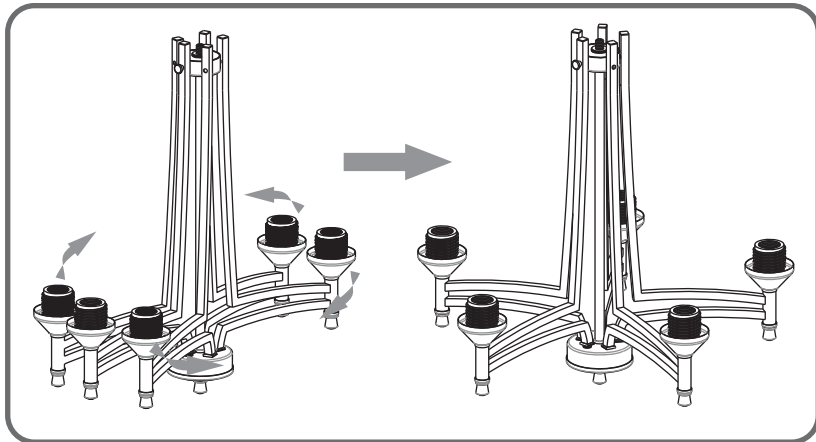


STEP 6

STEP 1

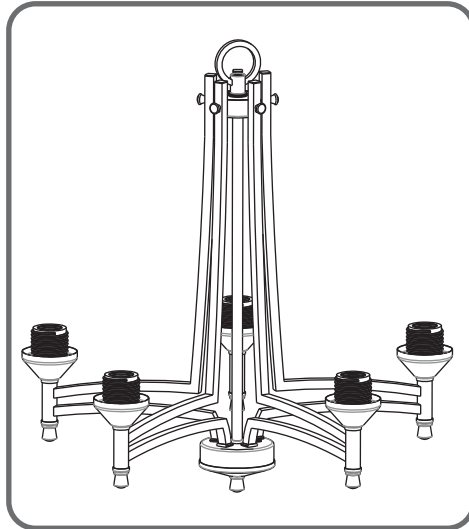
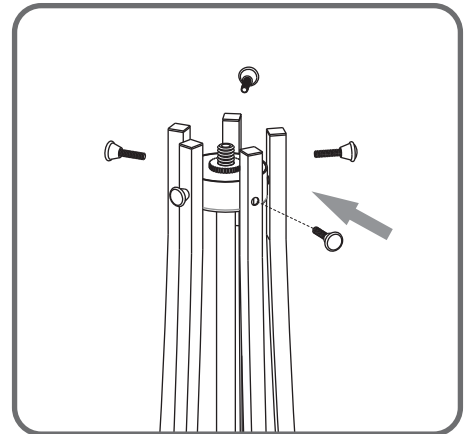
1

Unfold Support Arms



2

Install Lock Screws



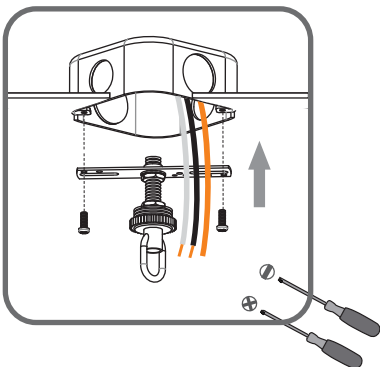
3

Install Fixture Loop

STEP 2

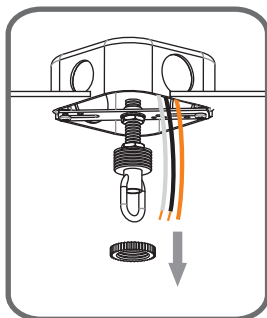
1

Step 1
Install crossbar assembly

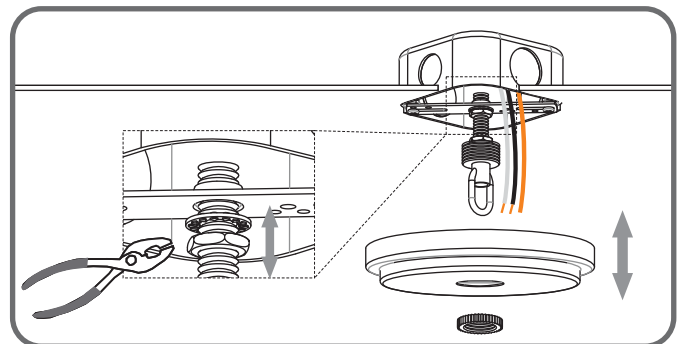


2

Step 2 - 3
Test fitting ceiling canopy to nipple



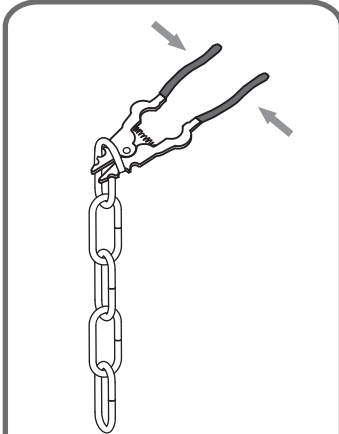
3



STEP 3

1

Step 1
Adjust fixture chain length

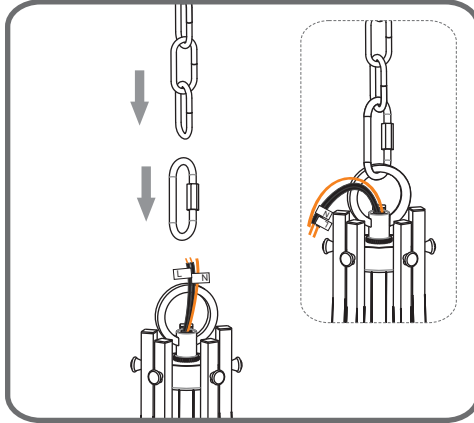


Suggested Chain Length:

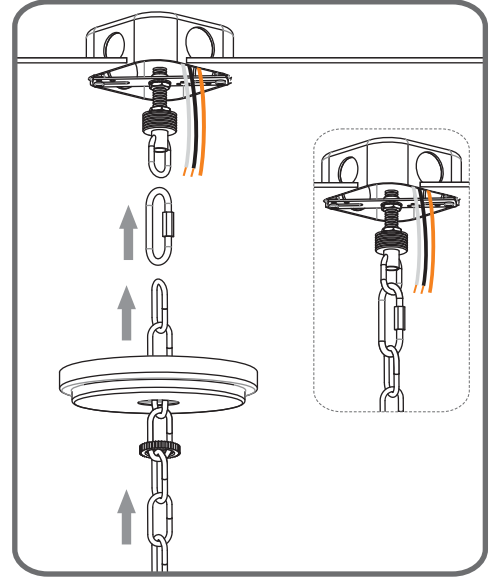
- 8' ceiling: 10" Chain
- 9' ceiling: 22" Chain
- 10' ceiling: 34" Chain

2

Step 2 - 3
Install Fixture Chain



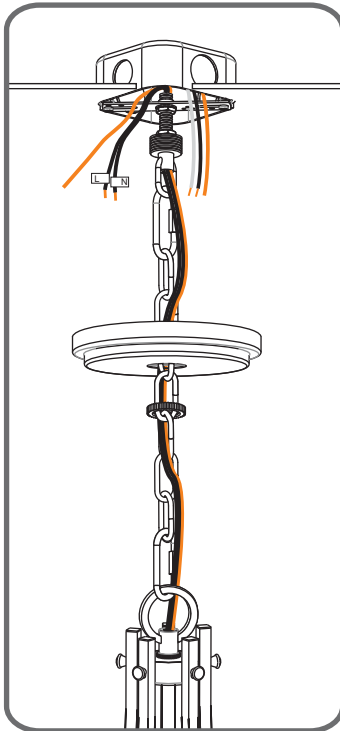
3



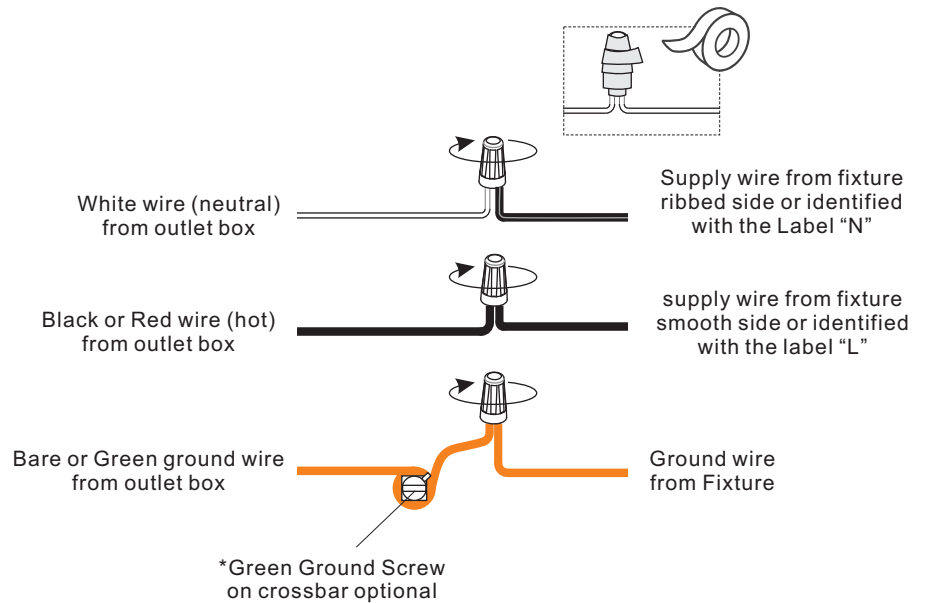
STEP 4

1

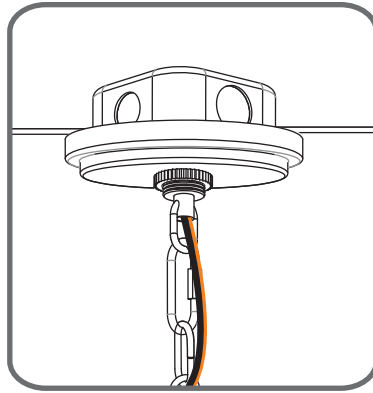
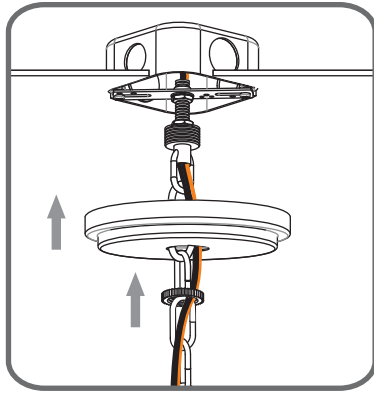
Step 1
Feed the fixture wires through the loop



2



STEP 5



STEP 6

