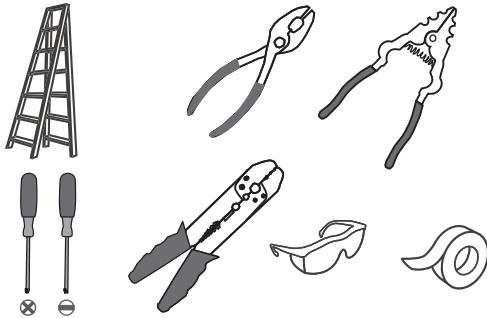
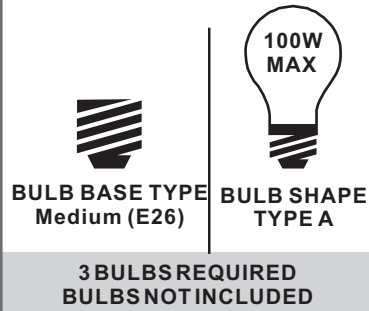


Tools Required



Light Source



**Fixture Height Adjustable
24" to 74.5"**

Warnings and Cautions

Turn off the electricity at the circuit breaker before installation. Consult a licensed electrician if in doubt about installation.

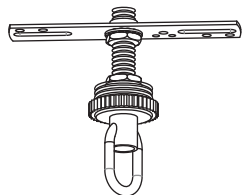
Turn off power to the fixture and allow the bulbs to cool before replacing.

Package Contents

Preparation: Identify and inspect all parts before beginning the installation.

Missing or damaged parts? Contact your original place of purchase.

PARTS BAG



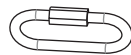
A Crossbar Assembly x 1



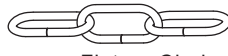
B Outlet Box Screw x 2



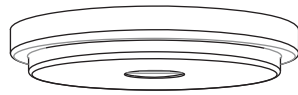
C Wire Connector x 3



D Quick Link x 2



E Fixture Chain x 1



F Ceiling Canopy x 1

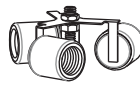
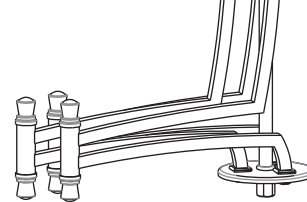


G Fixture Loop x 1

Lock Screw x 2



Fixture Body x 1



J Socket Assembly x 1

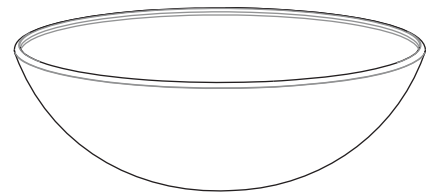


K Stem with Hex Nut x 1

L Hex Nut x 2

M Flat Washer x 2

N Rubber Washer x 2



O Shade x 1



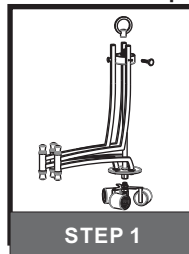
P Cap x 1



Q Finial x 1

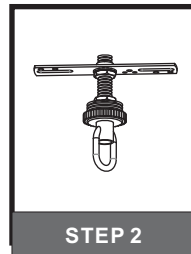
Table of Contents

Socket Assembly & Fixture Loop



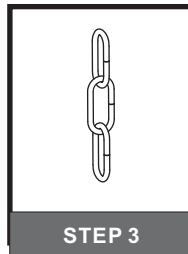
STEP 1

Crossbar Assembly



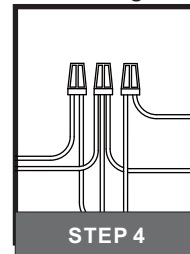
STEP 2

Fixture Chain

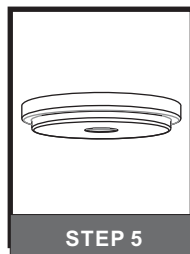


STEP 3

Wiring

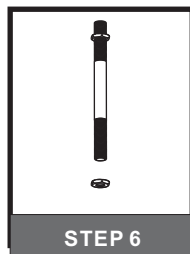


STEP 4



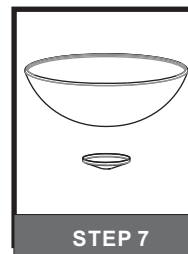
STEP 5

Ceiling Canopy



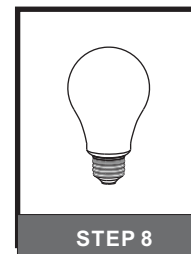
STEP 6

Stem & Hex Nut



STEP 7

Shade & Cap



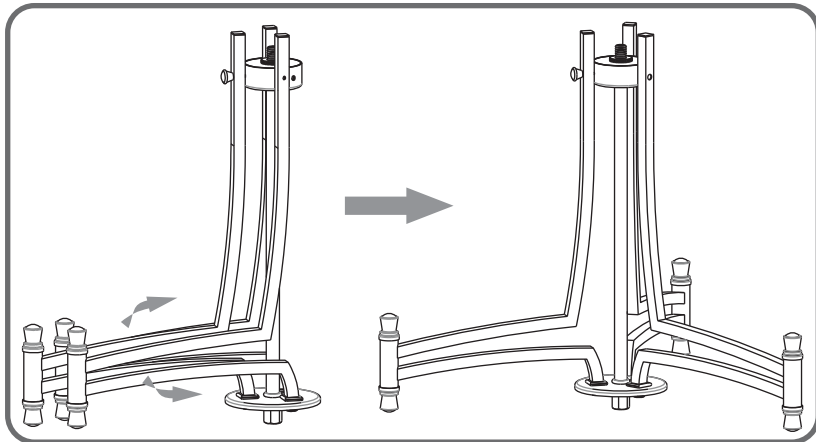
STEP 8

Bulbs

STEP 1

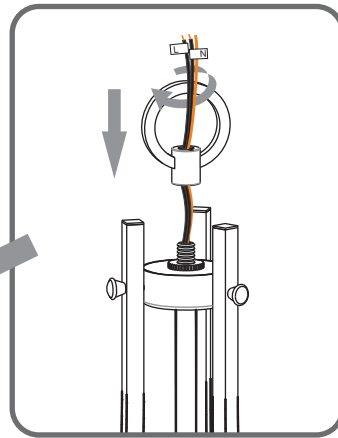
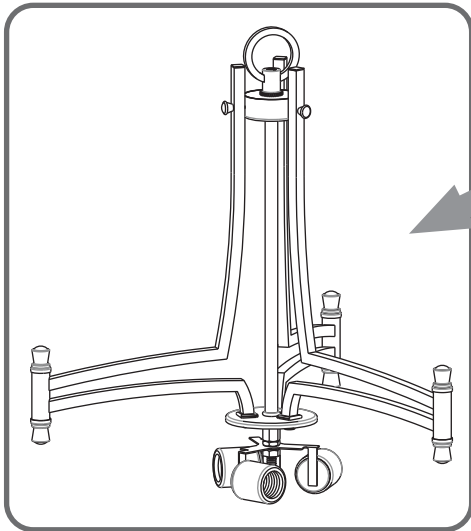
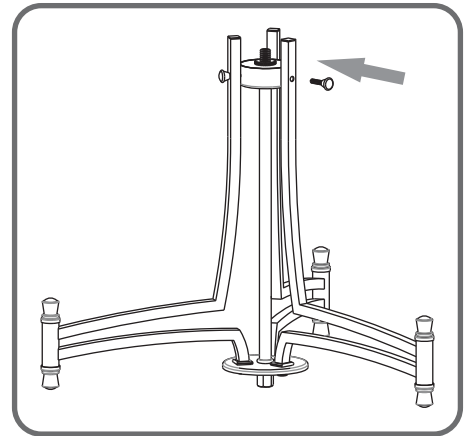
1

Step 1
Unfold Support Arms



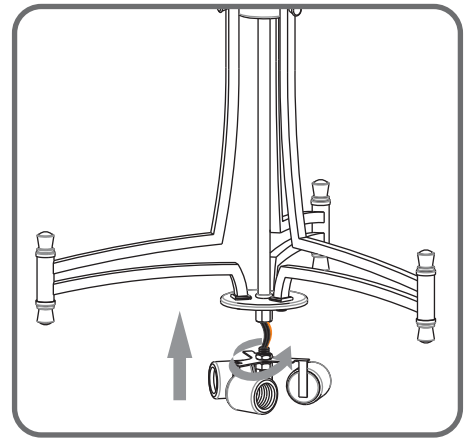
2

Step 2
Install Lock Screws



Step 4
Install Fixture Loop

4



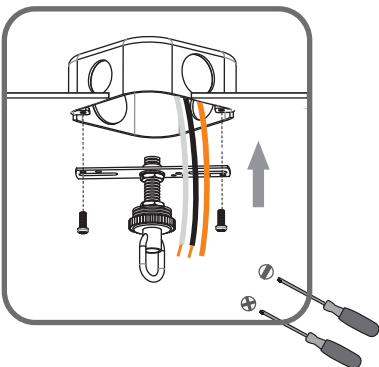
Step 3
Install Socket Assembly

3

STEP 2

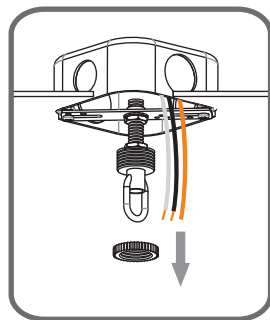
1

Step 1
Install crossbar assembly

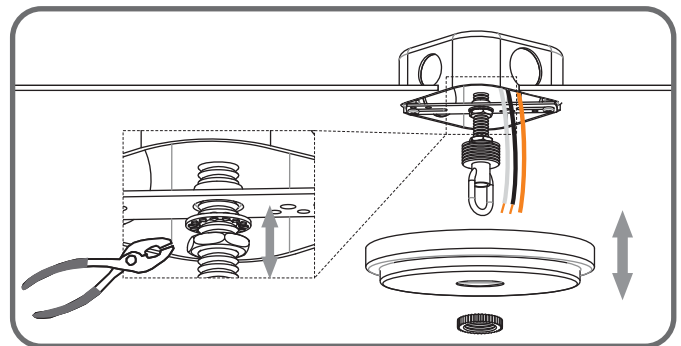


2

Step 2 - 3
Test fitting ceiling canopy to nipple



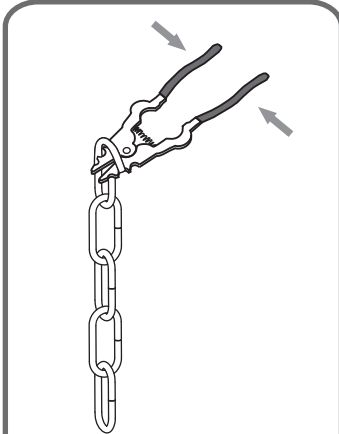
3



STEP 3

1

Step 1
Adjust fixture chain length

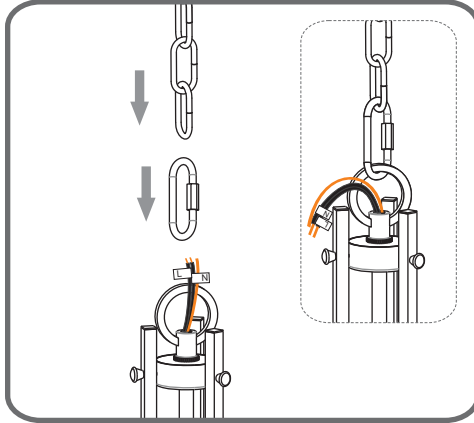


Suggested Chain Length:

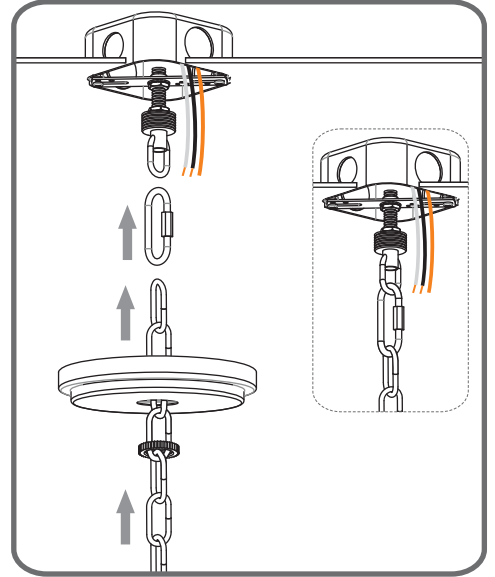
- 8' ceiling: 10.5" Chain
- 9' ceiling: 22.5" Chain
- 10' ceiling: 34.5" Chain

2

Step 2 - 3
Install Fixture Chain



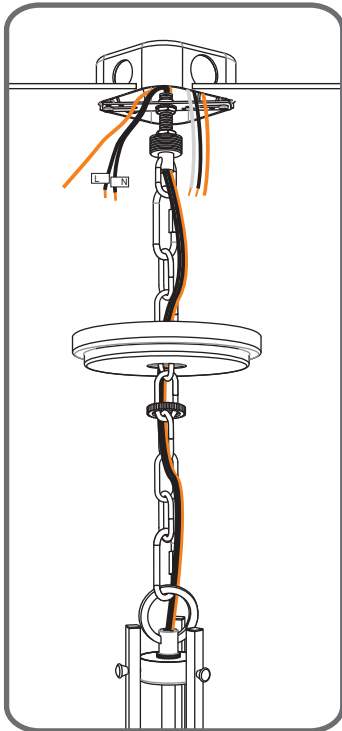
3



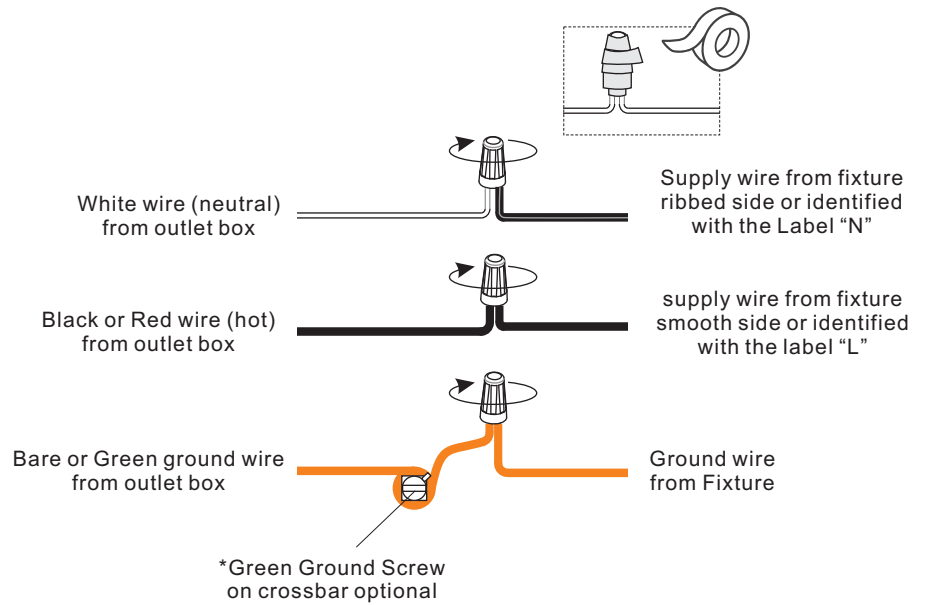
STEP 4

1

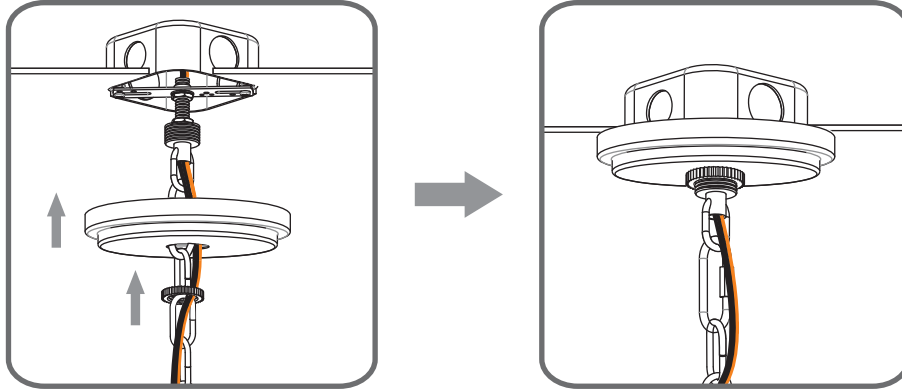
Step 1
Feed the fixture wires through the loop



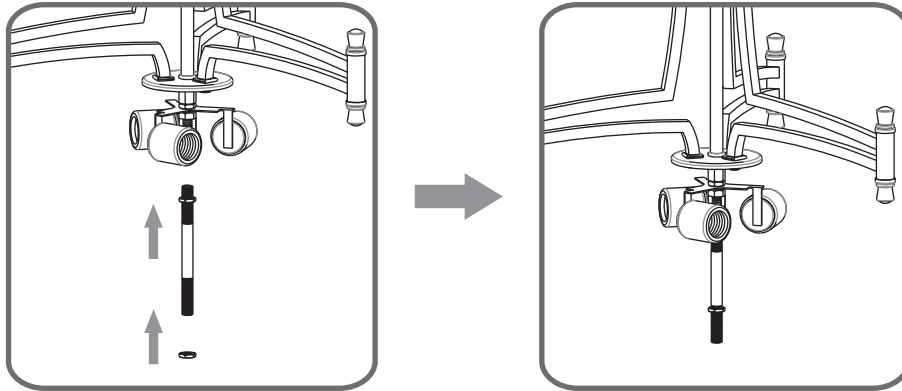
2



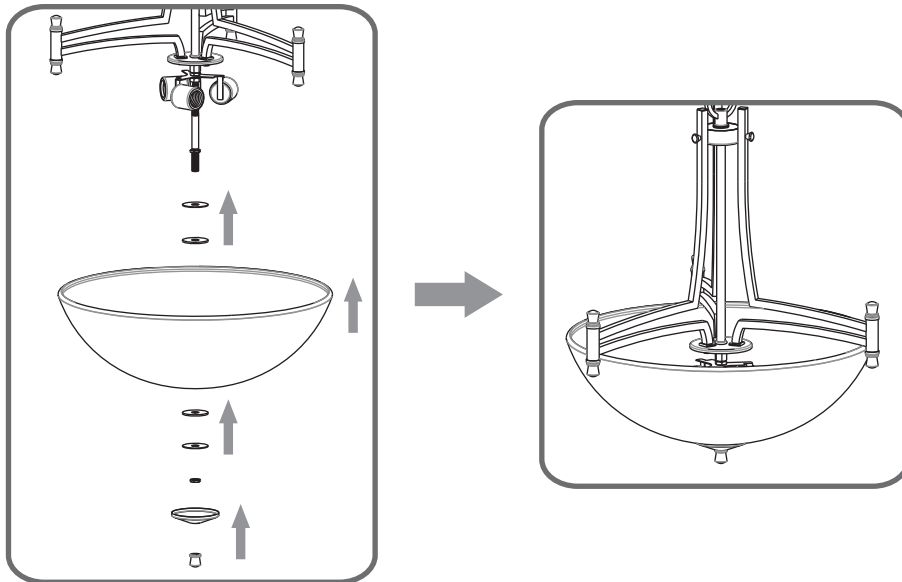
STEP 5



STEP 6



STEP 7



STEP 8

