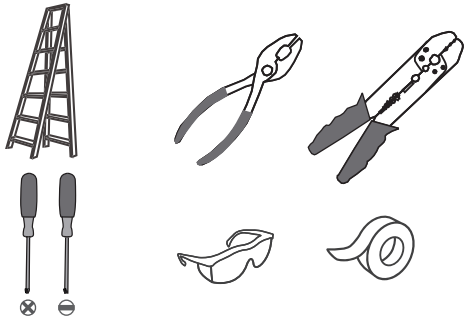
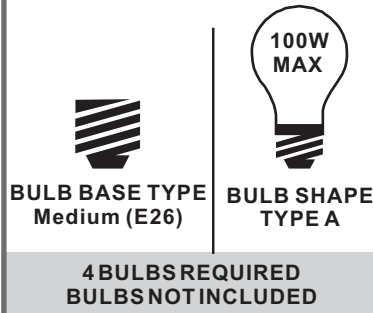


Tools Required



Light Source



**Fixture Height Adjustable
12.75" to 51.5"**

Warnings and Cautions

Turn off the electricity at the circuit breaker before installation. Consult a licensed electrician if in doubt about installation.

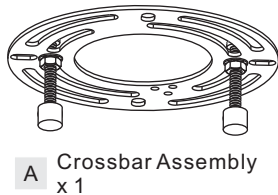
Turn off power to the fixture and allow the bulbs to cool before replacing.

Package Contents

Preparation: Identify and inspect all parts before beginning the installation.

Missing or damaged parts? Contact your original place of purchase.

PARTS BAG



- B** Outlet Box Screw x 2
- C** Wire Connector x 3

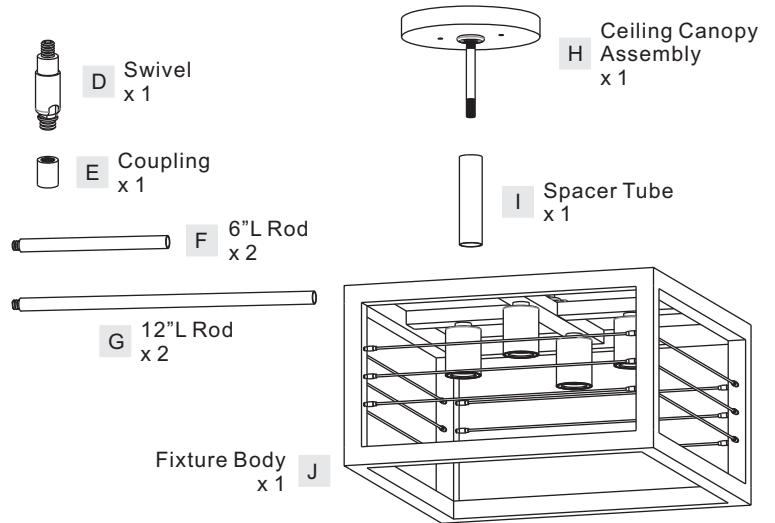


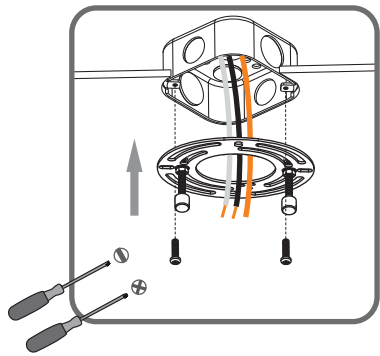
Table of Contents

Crossbar Assembly	Ceiling Canopy Assembly, Spacer Tube & Downrod	Wiring	Ceiling Canopy	Bulb
STEP 1	STEP 2	STEP 3	STEP 4	STEP 5

STEP 1

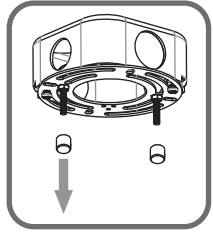
1

Step 1
Install crossbar assembly

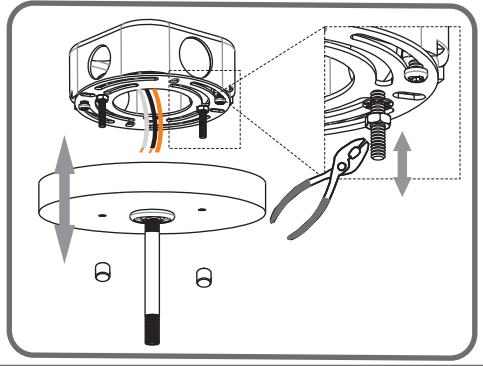


2

Step 2 - 3
Test fitting ceiling canopy to mounting screws

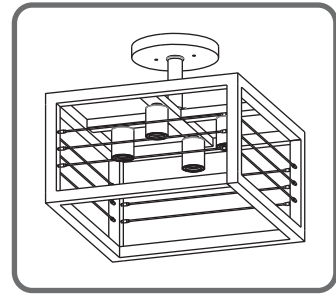
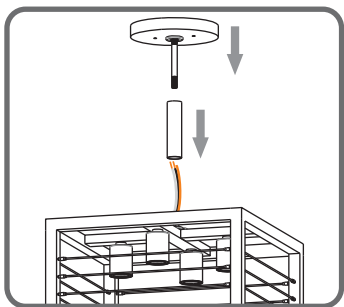


3



STEP 2

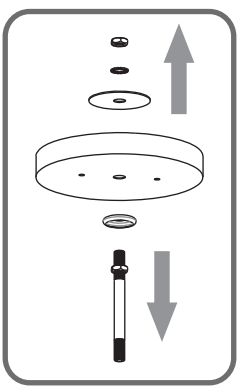
OPTION 1 Semi-Flush



OPTION 2 Pendant

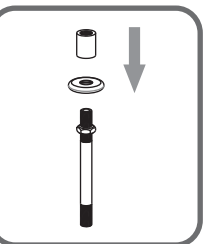
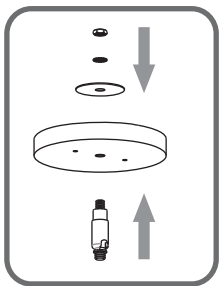
1

Remove Stem from Ceiling Canopy



2

Install Swivel to Ceiling Canopy

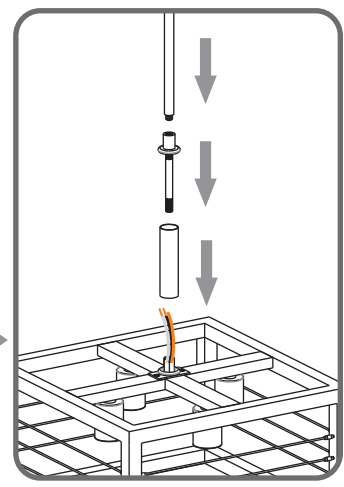


Install Coupling to Stem

Optional Rods

8' ceiling:
(2) 12" L rods

9' ceiling:
(2) 6" L + (2) 12" L rods



Install Spacer, Stem and Rods

3

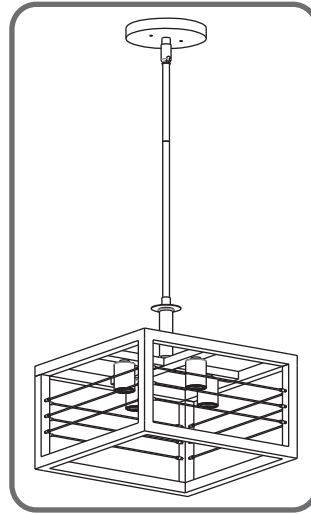
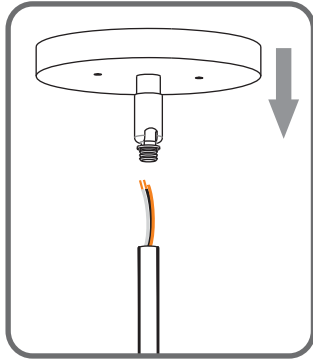
4

To Next Page →

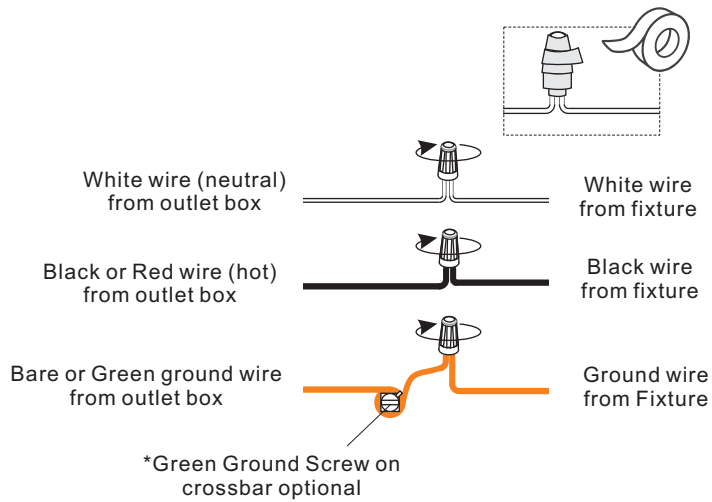
STEP 2 (continued)

5

Install Ceiling Canopy



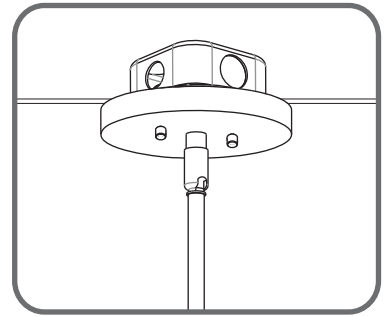
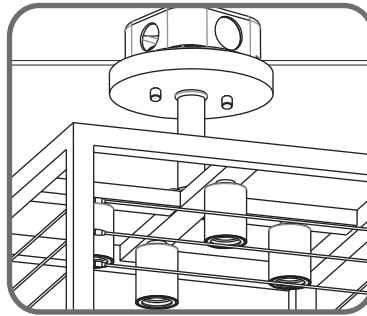
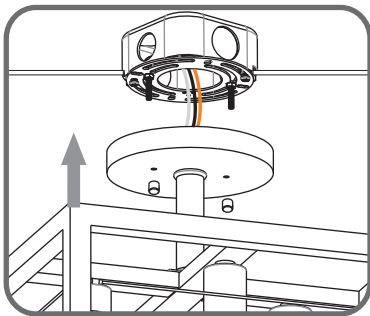
STEP 3



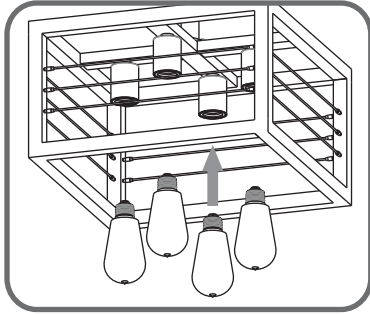
STEP 4

OPTION 1

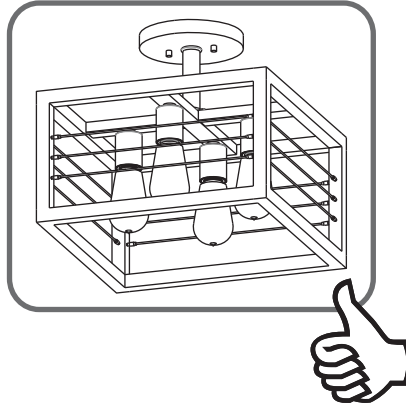
OPTION 2



STEP 5



OPTION 1



OPTION 2

