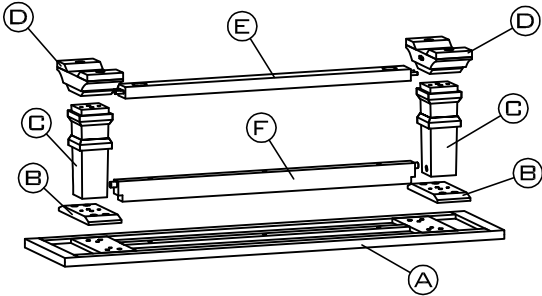
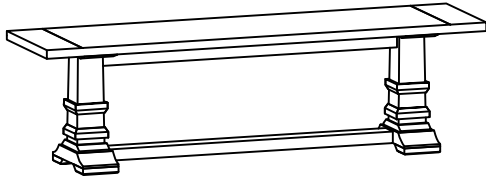
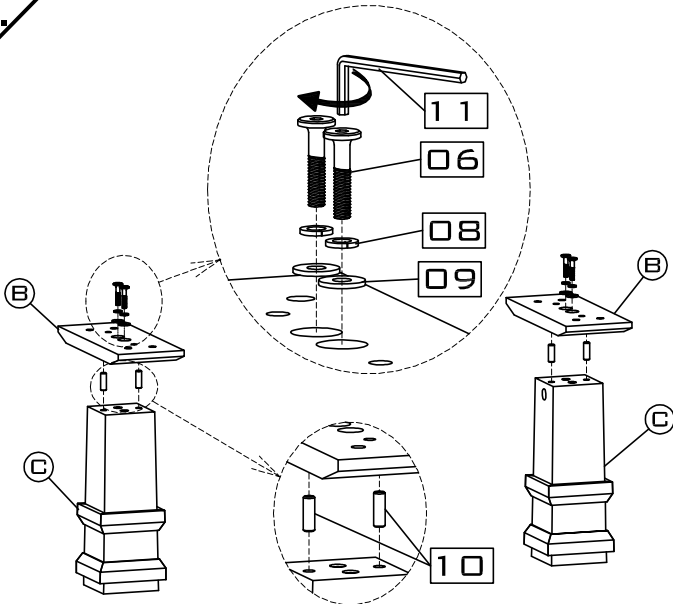


ASSEMBLY INSTRUCTIONS HUDSON BENCH

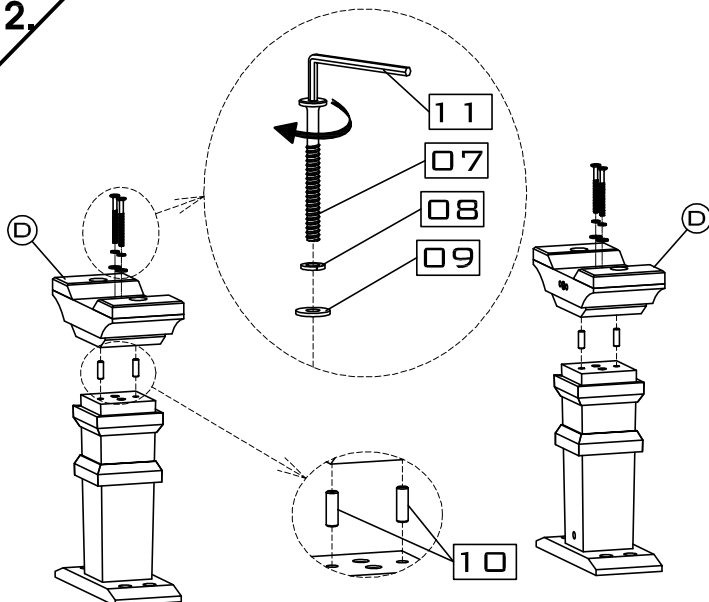


Please do not discard any of the packaging until you have checked all the parts and the packs of fittings.

1.



2.



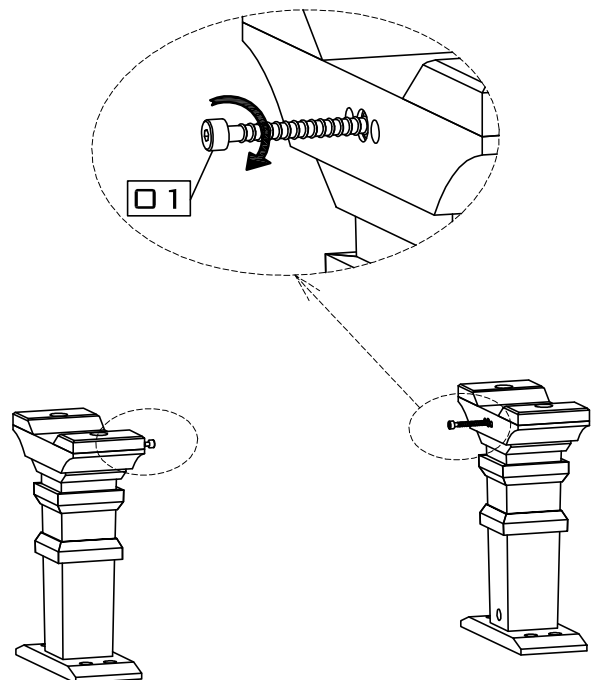
PARTS CHECK LIST

CODE	COMPONENTS	QTY
(A)	TOP SEAT	X01
(B)	LEG HEAD	X02
(C)	BASE CENTER	X02
(D)	BOTTOM LEG	X02
(E)	STRETCHER	X01
(F)	SUPPORT	X01

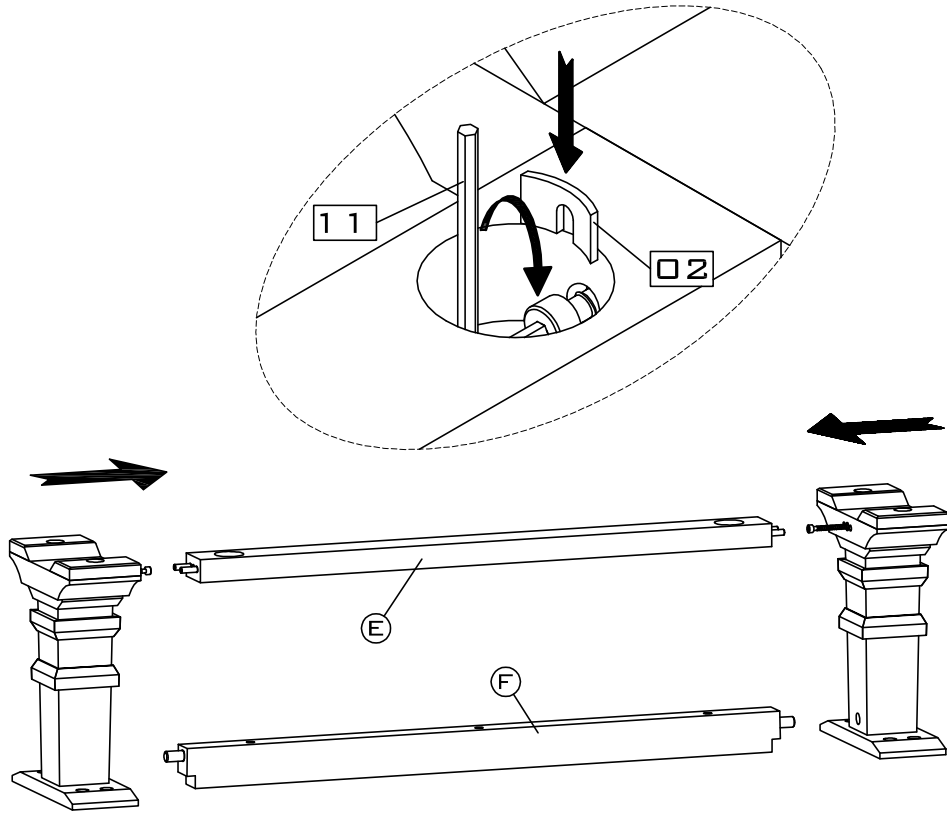
FITTINGS CHECK LIST

CODE	COMPONENTS	QTY
01	CAP SCREW	X02
02	U WASHER	X02
03	MEDIUM ALLEN BOLT	X03
04	SMALL SPRING WASHER	X03
05	SMALL FLAT WASHER	X03
06	SHORT ALLEN BOLT	X12
07	LONG ALLEN BOLT	X04
08	BIG SPRING WASHER	X16
09	BIG FLAT WASHER	X16
10	DOWEL	X12
11	ALLEN KEY	X01

3.



4.



5.

