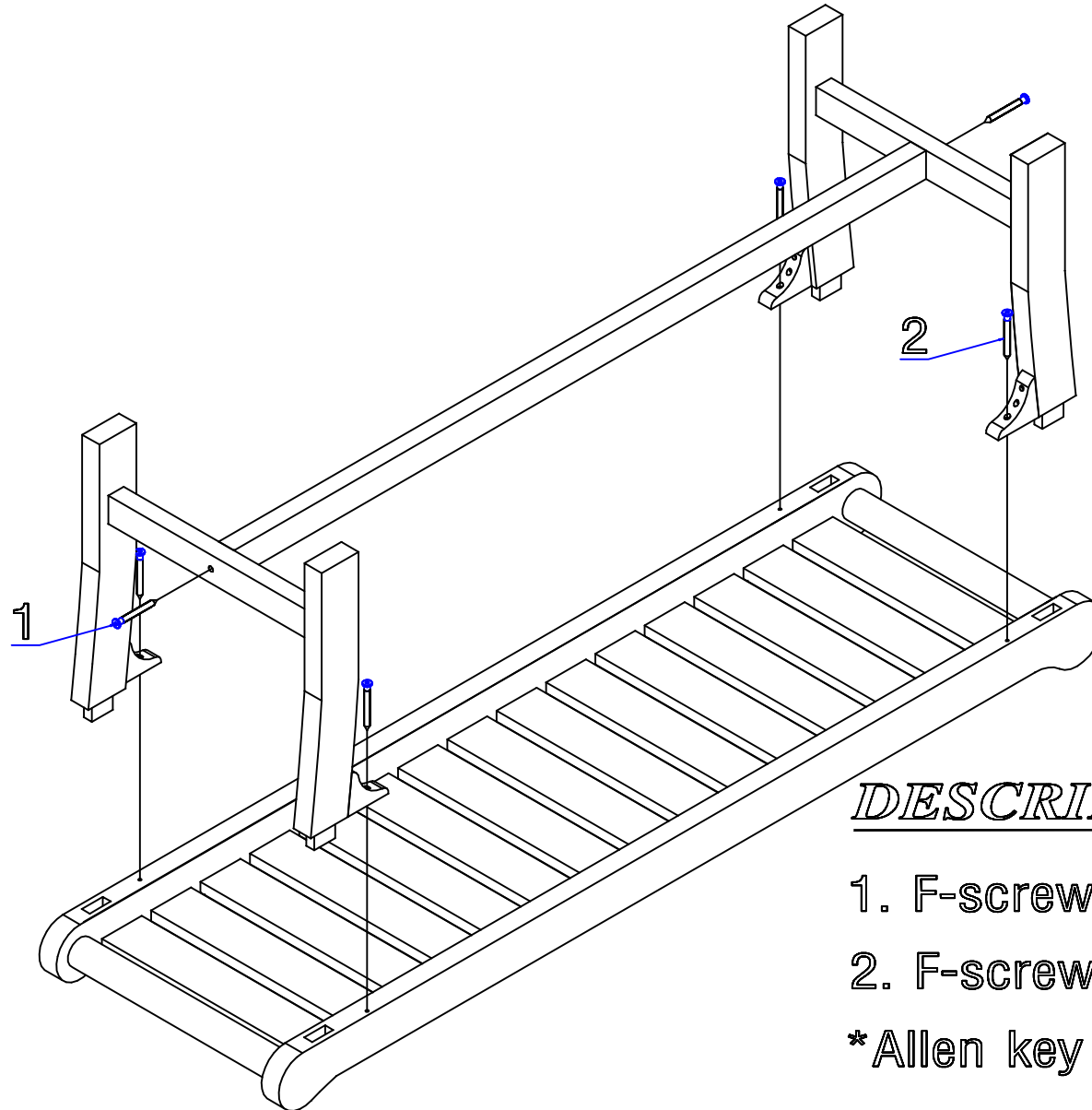




ASSEMBLY INSTRUCTIONS HLB276



DESCRIPTION

- 1. F-screw: M6x60 : 02Pcs
- 2. F-screw: M6x40 : 04Pcs
- *Allen key M4: 02Pcs

Step 2: