

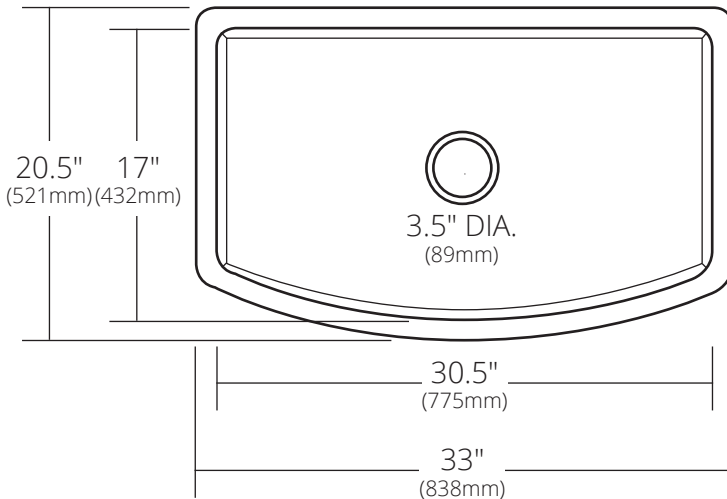
SPECIFICATIONS

FARMHOUSE QUARTET

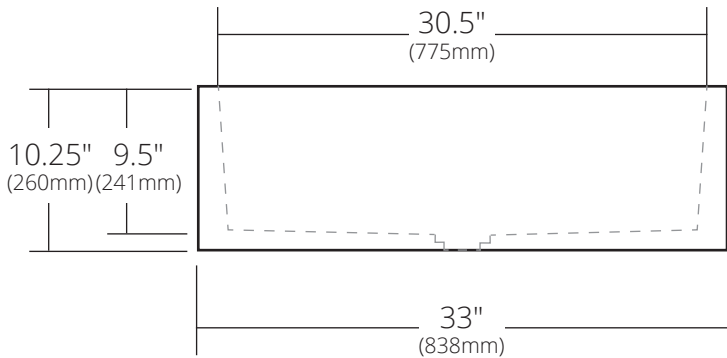
NativeStone® Collection



TOP VIEW



FRONT VIEW



NSKQ3320-A Ash
NSKQ3320-S Slate
NSKQ3320-P Pearl
NSKQ3320-E Earth

PRODUCT DETAILS

- 33" x 20.5" x 10.25" OD (838mm x 521mm x 260mm)
- 30.5" x 17" x 9.5" ID (775mm x 432mm x 241mm)
- 3.5" (89mm) drain opening
- Handcrafted from sustainable NativeStone®
- Sealed with impermeable nano sealer

INSTALLATION

- Undermount
- Apron-front or concealed apron

COORDINATING PRODUCTS

- Drains: DR320 or DR340
- Bottom Grid: GR2715
- NativeStone® Sealer

STANDARDS COMPLIANCE

- UPC/cUPC compliant

IMPORTANT

Do NOT use tape or other adhesives on NativeStone® as it may remove the sealer.

Due to the handcrafted nature of this product, it will vary in finish, texture, and other details. Dimensions may vary up to .25" (6mm).