

Specification Submittal Data / Panasonic Ventilation Fan/Light

Description:

Ventilating fan/light shall be low voltage ceiling mount rated for continuous operation. Fan shall be ENERGY STAR® rated and certified by the Home Ventilating Institute (HVI). Evaluated by the Underwriters Laboratories and conform to both UL and cUL standards.

Motor/Blower:

- Four-pole totally enclosed condenser AC motor rated for continuous use.
- Fan ventilation rates shall be manually adjustable for 80 or 110 CFM.
- Power Rating shall be 120 volts and 60 Hz.
- Fan shall be UL and cUL listed for tub/shower enclosure when GFCI protected.
- Motor equipped with thermal cutoff fuse.
- Removable, permanently lubricated, plug-in motor.

Housing:

- Rust proof epoxy and polyester resin coating, 26 gauge galvanized steel body.
- 4" diameter duct with optional 3" adapter included.
- Built in backdraft damper.
- Articulating and expandable extension bracket up to 24".

Grille:

- Attractive design using Poly Pro material.
- Attaches directly to housing with torsion springs.

Light:

- Two 13 Watt self-ballasted GU24 base compact fluorescent lamps included.
- One 4-Watt night-light included.
- FCC Part 18 compliant.

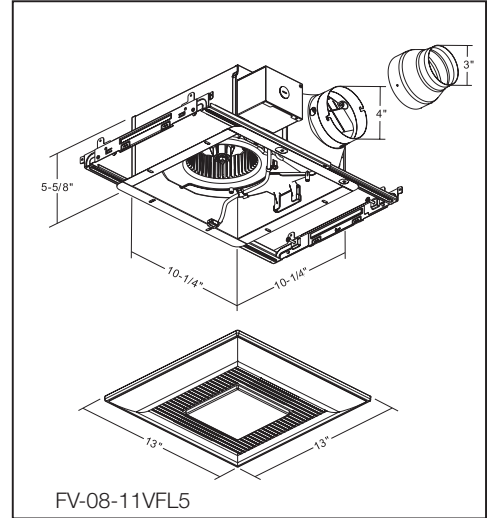
Warranty:

- ALL Parts: 3 years original purchase date.
- CFL: 3 years. Night Light: No Warranty.

Architectural Specifications:

Ventilation fan and light shall be ceiling mount, ENERGY STAR® rated with built-in speed selector. Select from 80/110 CFM and no more than 0.4/1.0 sone as certified by the Home Ventilating Institute (HVI) at 0.1 wg with no less than 72/102 CFM and no more than 0.7/1.3 sone as certified by HVI at 0.25 w.g. Power Consumption shall be no greater than 20.9/26.6 watts at 0.1 w.g. and 20.5/26.5 watts at 0.25 w.g. with efficiency of no less than 3.8/4.2 CFM/watt at 0.1 w.g. and 3.5/3.9 CFM/watt at 0.25 w.g. The motor shall be fully enclosed, four pole condenser type engineered to operate continuously for no less than 30,000 hours. Power rating shall be 120v/60Hz Housing material shall be no less than 26 gauge galvanized steel with rust proof epoxy and polyester resin coating. Duct diameter shall be no less than 4" (3" if using the included duct adapter). Fan shall be UL and cUL listed for tub shower enclosure when GFCI protected. Fan can be used to comply with ASHRAE 62.2, LEED, ENERGY STAR® IAP, EarthCraft, California Title-24 and WA Ventilation Code. Lamps shall be of the compact fluorescent type with the fan utilizing no less than two 13W ENERGY STAR® rated self ballasted GU24 base compact fluorescent lamps, 3500 Kelvin, >80 CRI/998 Lumens per lamp/75 Lumens Per Watt/10,000 hours rated average life. Night-light feature shall be included.

3" or 4" Duct



See Following Page for Performance Curves



(2) 13W self-ballasted GU24 base CFL lamps included. 3500 Kelvin, >80 CRI/998 Lumens per lamp/75 Lumens Per Watt/10,000 hours rated average life.

Specifications: WhisperFit® EZ FV-08-11VFL5		110 CFM Setting				80 CFM Setting			
		4" Duct		3" Duct		4" Duct		3" Duct	
Ventilation Fan Characteristics (HVI Certified Data)	Static Pressure in inches w.g.	0.1	0.25	0.1	0.25	0.1	0.25	0.1	0.25
	Air Volume (CFM)	110	102	100	86	80	72	70	60
	Noise (sones)	1.0	1.3	1.3	1.5	0.4	0.7	0.6	1.0
	Power Consumption (Watts)	26.6	26.5	26.4	25.8	20.9	20.5	20.8	20.2
	Energy Efficiency (CFM/Watt)	4.2	3.9	3.9	3.4	3.8	3.5	3.7	3.2
	Speed (RPM)	1033	1240	1270	1399	905	1164	1065	1263
	Current (amps)	0.23	0.22	0.22	0.22	0.17	0.17	0.17	0.17
	MAX. Current (amps)	0.23		0.23		0.18		0.18	
	Power Rating (V/Hz)	120/60		120/60		120/60		120/60	
	ENERGY STAR rated	YES		YES		YES		YES	

For complete Installation Instructions visit us.panasonic.com/ventfans

0.25=Installed Performance

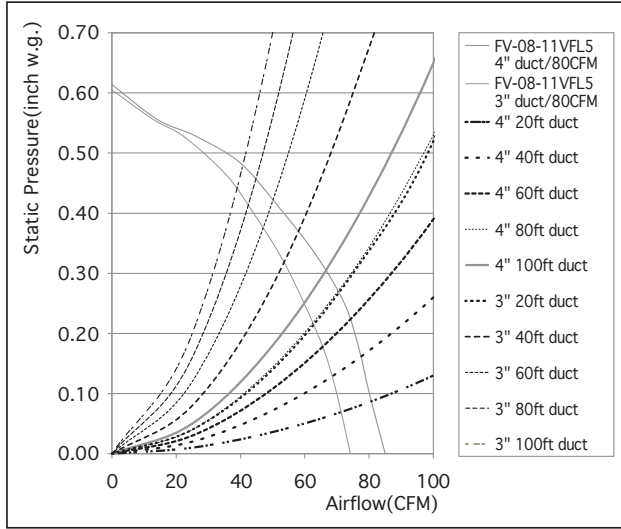
Model	Quantity	Comments	Project:
			Location:
			Architect:
			Engineer:
			Contractor:
			Submitted by:
			Date:

Panasonic Eco Solutions North America
Eco Products Division
Two Riverfront Plaza
Newark, NJ 07102

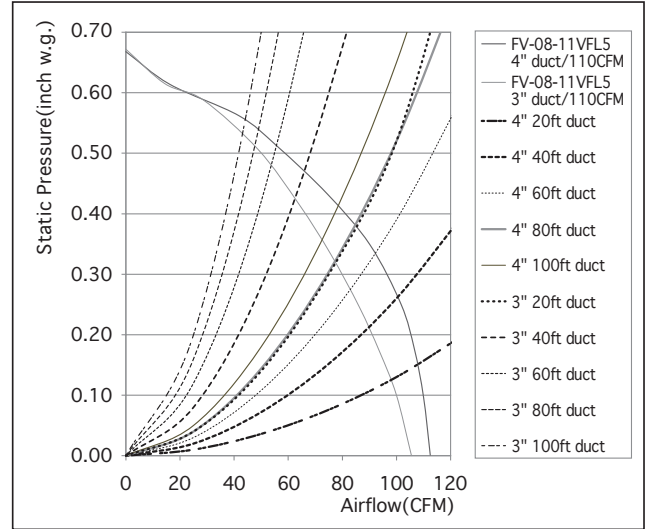
us.panasonic.com/ventfans



Performance Curve FV-08-11VFL5 - 80 CFM



Performance Curve FV-08-11VFL5 - 110 CFM



Model	Quantity	Comments	Project:
			Location:
			Architect:
			Engineer:
			Contractor:
			Submitted by:
			Date:

Panasonic Eco Solutions North America
Eco Products Division
Two Riverfront Plaza
Newark, NJ 07102

us.panasonic.com/ventfans

