










CARE AND MAINTENANCE


Spot clean using a mild water-free solvent. Only a professional cleaner should undertake a complete overall cleaning.
The use of steam or water-based cleaners may cause excessive shrinking or staining.

NOTICE

- * Please make sure that you have all parts indicated before you begin assembly of this item
- * This item should be assembled on a soft surface to prevent scratching the finish during assembly
- * This item may require periodic tightening

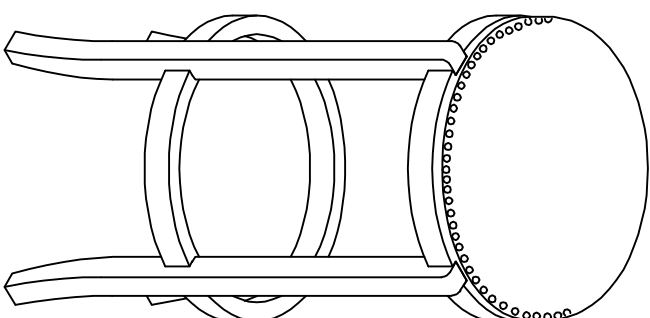
Part List and Hardware List

PIECE	DESCRIPTION	PICTURE	QUANTITY
A	Backrest		1X
B	Chair Leg		4X
C	Footrest		1X
D	Apron with swivel plate		1X
1	Allen Bolts M6x15mm		4X
2	Allen Bolts M6x30mm		16X
3	Spring Washer M6 x 10mm		16X
4	Flat Washer M6 x 16mm		20X
5	Allen Key Small M4		1X

 SAFAVIEH
FURNITURE

Model# FOX7005

Product Dimensions: 18"W*18"D*24"H



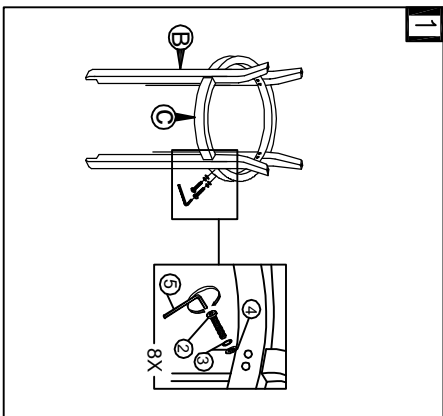
PREPARATION

Before beginning assembly of product make sure all parts are present. Compare parts with package contents list and hardware contents list.

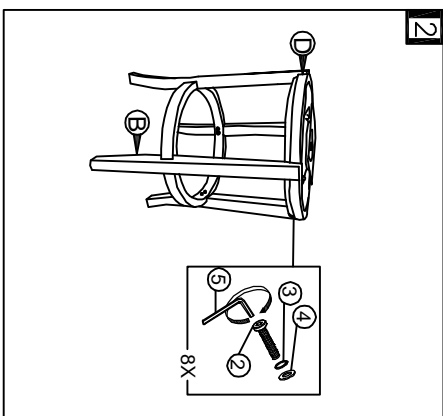
If any part is missing or damaged, do not attempt to assemble the product.

Estimated Assembly Time: 10 minutes.

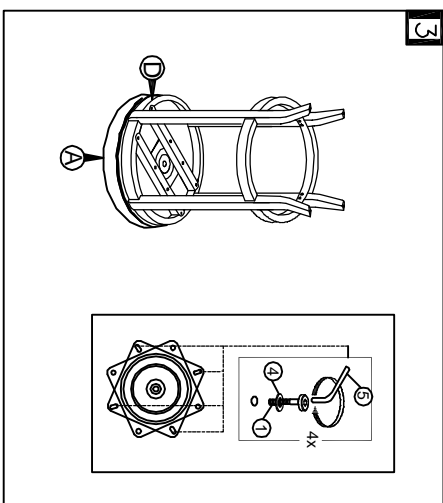
Tools Required for Assembly(Included): Allen Key



Step 1
Begin assembly by attaching Legs (B) to Footrest (C) by using 2 Allen Bolt (2), 2 Spring Washer (3) and 2 Flat Washer (4) per leg.



Step 2
Attach the Legs (B) to the Apron with Swivel Plate (D) using 2 Allen Bolts (2), 2 Spring Washers (3) and 2 Flat Washers (4) per leg.



Step 3
Attach the Apron with Swivel Plate (D) to Seat (A) using 4 Allen Bolt (1) and 4 Flat Washers (4). Tighten all screws with the Allen Key (5) provided. The assembly is now complete.