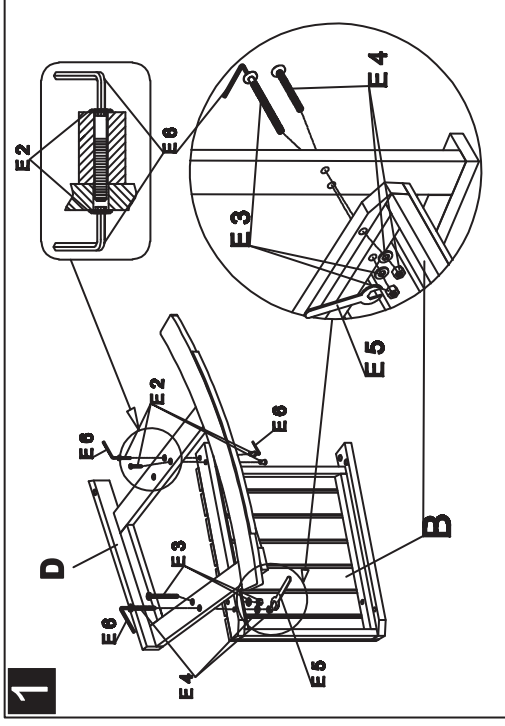
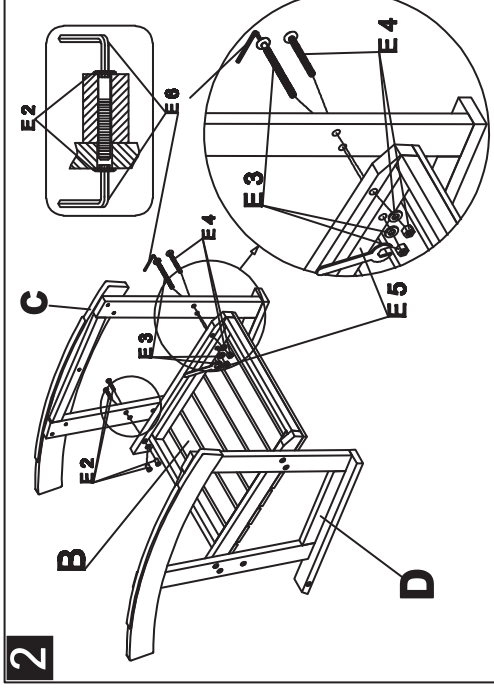


PREPARATION

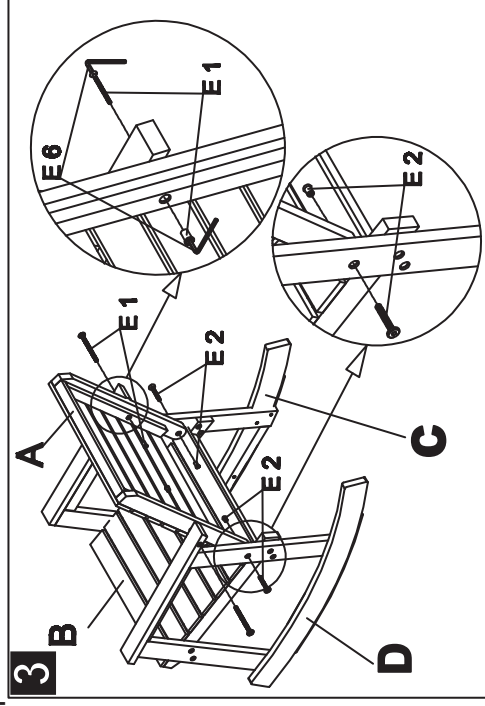
Before beginning the assembly of the product, make sure all parts are present. Compare the parts with the package contents list and hardware contents list. If any parts are missing or damaged, do not attempt to assemble the product. Tool required for assembly (included): Allen Key and wrench.



Step 1: attach left side (D) to the seat (B) as shown on the picture, using Allen Nut L (E1) and Allen Bolt S (E2) and tighten with the Allen Key (E3) and wrench (E4). Then continue to fit with the Allen Bolt (E2) with the Allen key (E6). Make sure to tighten all positions before continue step 2.



Step 2: attach right side (C) to the seat (B) as shown on the picture with the same hardware used with step 1.



Step 3: attach the back (A) to the side (D) and (C) as shown on the picture. Then use the Allen bolt L (E1) and the Allen bolt S (E2) to fit the back (A) to the chair by using the Allen key (E6).











CARE AND MAINTENANCE

Store outdoor furniture indoors or cover well when it is not in use. Dust regularly with small brush or vacuum. Spills should be taken care of immediately before they harden or stain with a slightly dampened sponge.

NOTICE

Please make sure that you have all parts indicated before you begin assembly of this item.

Part List and Hardware List

PIECE	DESCRIPTION	PICTURE	QUANTITY
A	Back		1 X
B	Seat		1 X
C	Right side		1 X
D	Left side		1 X
E1	Allen bolt L	 M6x85	2 X
E2	Allen bolt S	 M6x30	6 X
E3	Allen nut L	 M6x70	2 X
E4	Allen nut S	 M6x50	2 X
E5	Wrench		1 X
E6	Allen Key		2 X

SAFAVIEH

OUTDOOR LIVING

MODEL# FOX6702

Product Dimension: 24.8"W x 33.5"D x 33.9"H

