

CARE AND MAINTENANCE

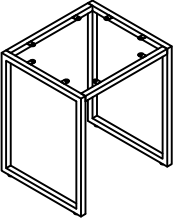
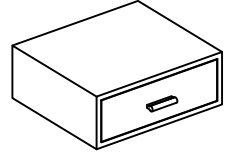

Wipe clean with a soft, dry cloth. Test the cleaning method on a hidden area before using them over the entire area.

NOTICE

- * Please make sure that you have all parts indicated before you begin assembly of this item.
- * This item should be assembled on a soft surface to prevent scratching the finished product during assembly.
- * This item may require periodic tightening.
- * Do not tighten bolts until completely assembled.

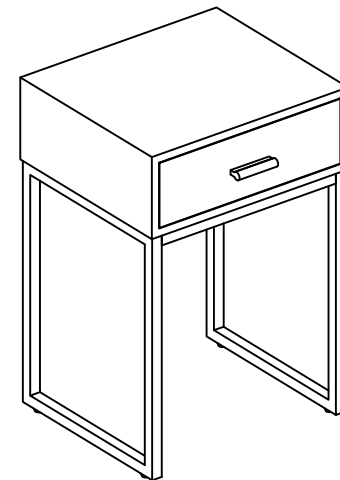
 **SAFAVIEH**
FURNITURE

Part List and Hardware List

PIECE	DESCRIPTION	PICTURE	QUANTITY
A	Metal Base		1x
B	Cabinet		1x
H1	Wood Screw		8x

Model# FOX6289

Product Dimensions: 16"Wx14"Dx24"H

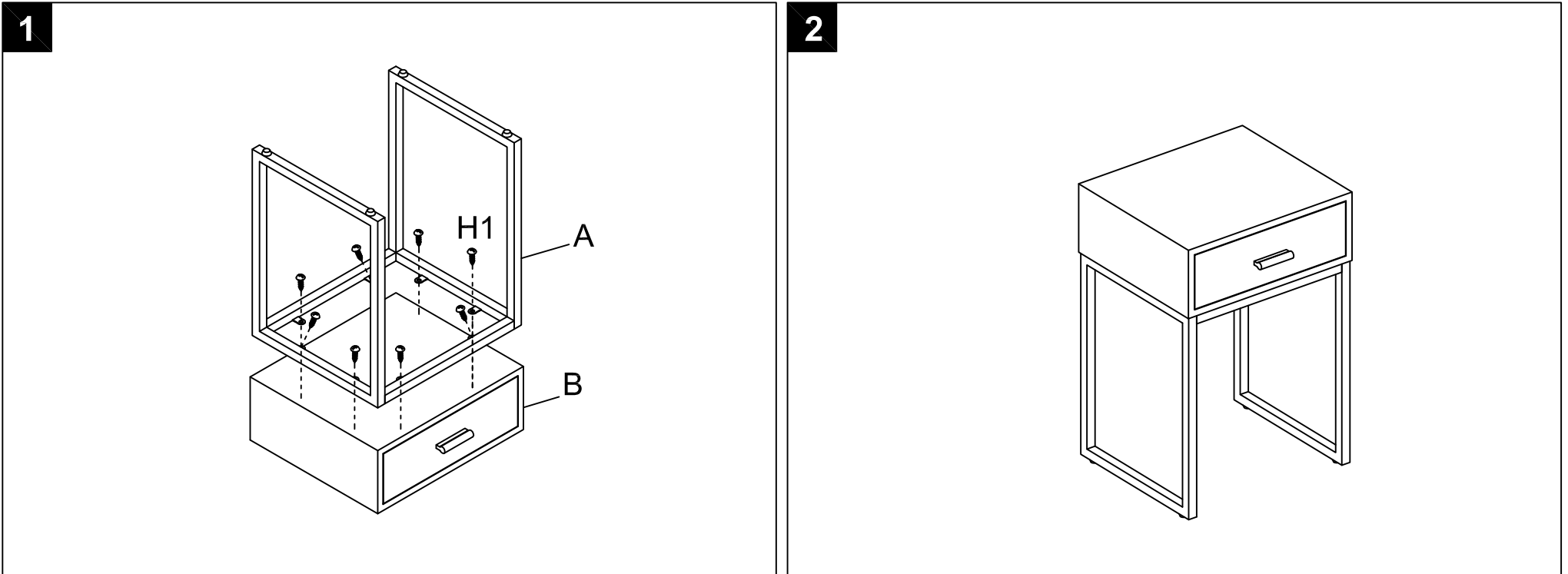


PREPARATION

Before beginning assembly of product, make sure all parts are present. Compare parts with package contents list and hardware contents list. If any part is missing or damaged, do not attempt to assemble the product.

Estimated Assembly Time: 10 minutes.

Tools Required for Assembly (included): Allen Key



Step 1

Flip the metal base (A) around to assemble it with the back side of the Cabinet (B). Use 8*Wood screw (H1) to lock through holes with the top of metal frame, as pictured.

Step 2

Assembly is completed.