


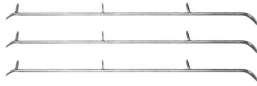


CARE AND MAINTENANCE

Do not use acids or alkaline cleaning agents. Sharp objects will damage and scratch the surface. Wipe the surface with a soft, damp cloth.

NOTICE

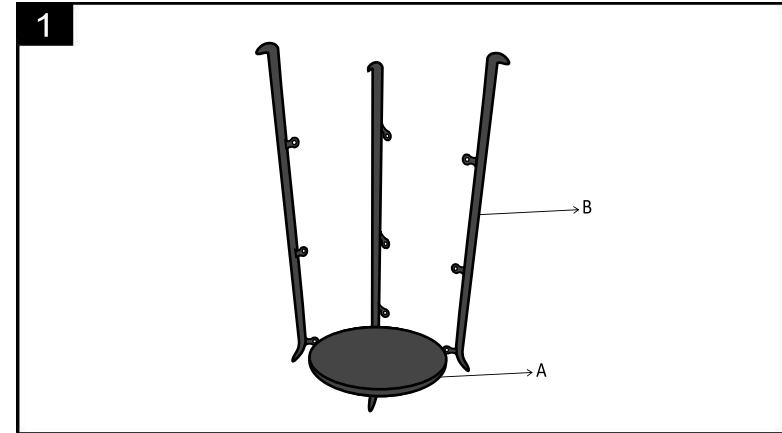
- * Please make sure that you have all parts indicated before you begin assembly of this item
- * This item should be assembled on a soft surface to prevent scratching the finish during assembly
- * This item may require periodic tightening

Part List and Hardware List

PRICE	DESCRIPTION	PICTURE	QUANTITY
A	PLATE		1X- Lg. 1X-Med. 1X-Sm.
B	METAL LEG		3X
H1	CROSS SCREW		9X
H2	L KEY TO TIGHTENING SCREWS		1X

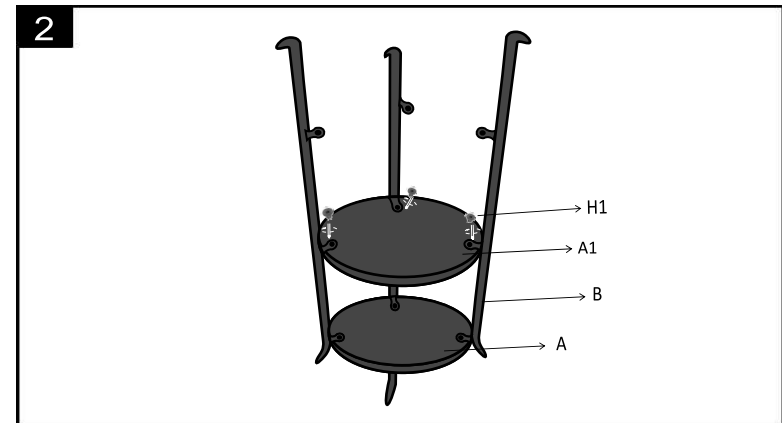
PREPARATION

Before beginning assembly of product, make sure all parts are present. Compare parts with package contents list and hardware contents list. If any part is missing or damaged, do not attempt to assemble the product. Estimated Assembly Time: 10 minutes.



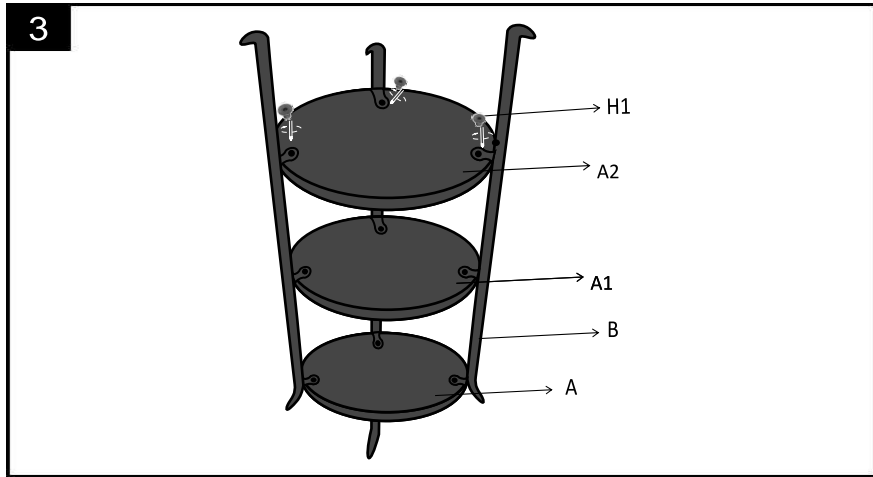
Step 1

The legs (B) needed to connect Small Size Plate (A) on Top with 3 cross screws (H1) using "L" key (H2) to tight screws



Step 2

The Legs B needed to connect Medium Size Plate (A1) in Middle with 3 cross screws (H1) using "L" key (H2) to tight screws



Step 3

The Legs B needed to connect Large Size Plate (A2) at bottom with 3 cross screws (H1) using "L" key (H2) to tight screws



The logo for Safavieh Furniture features a stylized tree icon to the left of the brand name. 'SAFAVIEH' is written in a large, bold, sans-serif font, and 'FURNITURE' is written below it in a smaller, spaced-out, sans-serif font.

MODEL # FOX 3251A

Product Dimensions : 14"Dx31.5"H

