

MODERN FORMS SMART FANS

AVIATOR FLUSH

FH-W1811-54

INSTALLATION INSTRUCTIONS



WET



DC
MOTOR



SMART



modernforms.com

All Modern Forms Smart Fans are:



WET

Durably finished and Rated for interior and exterior use



SMART

Able to coordinate with smart devices for voice-activated and thermostat control



Wet location-listed to the strictest ETL/ cETL safety regulations

DC
MOTOR

Quiet, reliable, and up to 70% more efficient than AC fans



Wi-Fi and RF enabled for unlimited control

APP INSTRUCTIONS AND SMART HOME DEVICE INTEGRATION
modernforms.com/mfapps



FREE APP DOWNLOAD

Sync with our exclusive Modern Forms app to control fan speed, use smart features like Adaptive Learning, create groups and reduce energy costs



RF WALL CONTROL

F-WC-WT

Included with each fan
6 fan speeds
Dims light to 1%
ON/OFF



**WIFI TOUCH PANEL
WALL CONTROL**

F-TS-BK Black
F-TS-WT White
Sold separately
Full app control

TABLE OF CONTENTS

1. SAFETY RULES.....	4
2. FTC ENERGY GUIDE & SPECIFICATION	5
3. TOOLS AND MATERIALS REQUIRED.....	5
4. PACKAGE CONTENTS	6
5. MOUNTING OPTIONS	8
6. INSTALLING THE MOUNTING BRACKET.....	9
7. ATTACHING THE FAN BLADES.....	10
8. ATTACHING DECORATIVE LOWER CAP	10
9. MAKING THE ELECTRICAL CONNECTIONS.....	11
10. FINISHING THE INSTALLATION	14
11. INSTALLING THE LED LUMINAIRE MODULE (Optional Accessory).....	15
12. INSTALLING THE WALL CONTROL	16
13. WALL CONTROL OPERATING INSTRUCTIONS.....	18
14. APPLICATION.....	20
15. TROUBLESHOOTING	21
16. ACCESSORIES	22

1. SAFETY RULES

For operation, maintenance, and troubleshooting information, visit modernforms.com/help.

1. To reduce the risk of electric shock, ensure electricity has been turned off at the circuit breaker or fuse box before beginning.
2. All wiring must be in accordance with the National Electrical Code “ANSI/NFPA 70” and local electrical codes. Electrical installation should be performed by a qualified licensed and insured electrician.
3. The outlet box and support structure must be securely mounted and capable of reliably supporting a minimum of 35 lbs (15.9 kg). Use only UL-listed outlet boxes marked “FOR FAN SUPPORT.”
4. The fan must be mounted with a minimum of 7 ft. (2.1 m) clearance from the trailing edge of the blades to the floor.
5. Never place objects in the path of the blades.
6. To avoid personal injury or damage to the fan and other items, be cautious when working around or cleaning the fan.
7. Do not use chemicals when cleaning the fan or fan blades. A dry dust cloth or lightly dampened cloth will be suitable for most cleaning.
8. After making electrical connections, spliced conductors should be turned upward and pushed carefully up into the outlet box. The wires should be spread apart with the grounded conductor and the equipment-grounding conductor on one side of the outlet

box and ungrounded conductor on the other side of the outlet box.

9. All set screws must be checked and re-tightened where necessary before installation.

WARNING: To reduce the risk of electric shock, this fan must be installed and operated with the supplied wall control, or controlled from the Modern Forms app or WIFI Touch Panel wall control (not included).

WARNING: To reduce the risk of personal injury, do not bend the blade arms when installing the brackets, balancing the blades or cleaning the fan.

WARNING: Do not insert foreign objects between rotating fan blades.

WARNING: To reduce the risk of fire, electric shock, personal injury or damage to the fan or other items, mount the fan to the outlet box marked acceptable for fan support with the screws provided with the outlet box.

NOTE: For use only with light kits marked “Suitable for use in wet locations.”

NOTE: A maximum of 2 fans can operate on a circuit through the supplied wall control.

NOTE: A maximum of 12 fans can operate on a circuit through an on/off switch or a breaker when utilizing the Modern Forms app for the fan control (without the wall control in the circuit).

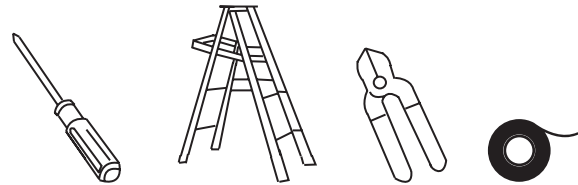
2. FTC ENERGY GUIDE & SPECIFICATION

FAN	FAN SIZE	VOLTS	N.W. (lbs)	G.W. (lbs)	STANDARD	ELECTRICITY	AIR FLOW	ENERGY COSTS*	FAN EFFICACY
Aviator Flush	54"	120	6.85	10.67	High Speed	27W	6744 CFM	\$8/yr	246.1 CFM/W
					Weighted Average	15W	3982 CFM	\$4/yr	259 CFM/W

* Estimated annual energy cost based on \$0.12 per kWh and 6.4 hours use per day.

3. TOOLS AND MATERIALS REQUIRED

- **Phillips screw driver**
- **Step ladder**
- **Wire cutters**
- **Electrical tape**



4. PACKAGE CONTENTS

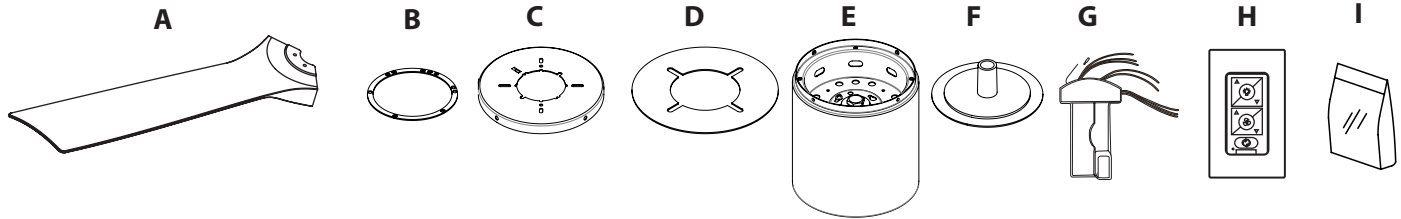
Unpack your fan and check the contents. You should have the following items:

REF.	DESCRIPTION	PART NO.
A	Blade Set of 3	RPL-F1811-54-BD-**
B	Blade Collector Ring	---
C	Hanger Plate	RPL-F1811-HANGER-**
D	Hanger Gasket	---
E	Motor Assembly	---
F	Bottom Cap (Aluminum)	---
G	Control Receiver w/ Hardware	RPL-F1811-54-REC
H	Wall Control w/ Hardware	F-WC-WT
I	Hardware Bag	RPL-AVIATORFH-PART
	3/16" x .375" Flat head screws (5 pcs) -Blade Collector Ring	
	Φ 4x9mm Flat head screws (10 pcs) - Blade Screws	
	1/4" x 16mm Pan head Philips screws with washer (7 pcs)	
	Φ 5x14x1mm Flat washers (2 pcs) - Hanger Plate	
	#8-32x38mm Pan Head Philips Screw (2 pcs) - Hanger Plate	
	Φ 5.2x8.4x1mm Spring washers (2 pcs) - OPTIONAL for direct wood mount - Hanger Plate	
	Φ 4.4x9.4x1mm Star washers (2 pcs) OPTIONAL for direct wood mount - Hanger Plate	
	#10x38mm Pan head Philips wood screws (2 pcs) - OPTIONAL for direct wood mount -Hanger Plate	
	Φ 5.2x8.4x1mm Spring washer (1 pc) - Safety Cable	
	Φ 6.5x19x2mm Flat washer (1 pc) - Safety Cable	
	#10x76mm Pan head Philips wood screw (1 pc) - Safety Cable	

NOTE: ** denotes finish code of fan

4. PACKAGE CONTENTS (cont.)

REF.	DESCRIPTION
A	Blade Set of 3
B	Blade Collector Ring
C	Hanger Plate
D	Hanger Gasket
E	Motor Assembly
F	Bottom Cap (Aluminum)
G	Control Receiver w/ Hardware
H	Wall Control w/ Hardware
I	Hardware Bag



5. MOUNTING OPTIONS

If there isn't an existing UL/cUL listed mounting box, then read the following instructions. Disconnect the power by removing fuses or turning off circuit breakers.

Secure the outlet box directly to the building structure. Use appropriate fasteners and building materials. The outlet box and its support must be able to fully support the moving weight of the fan (at least 35 lbs). Do not use plastic outlet boxes.

Figures 1 and 2 are examples of different ways to mount the outlet box.

To hang your fan where there is an existing fixture but no ceiling joist, you may need an installation hanger bar as shown in (Fig. 3).

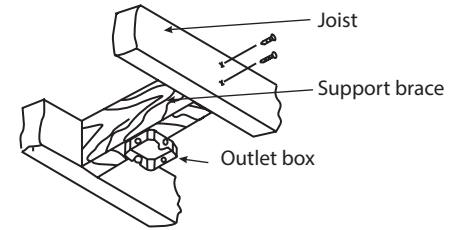


FIGURE 1

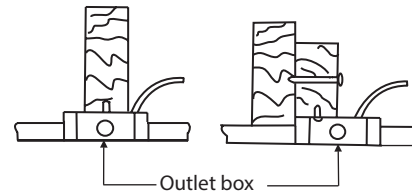


FIGURE 2

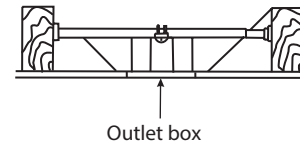


FIGURE 3

6. INSTALLING THE MOUNTING BRACKET

REMEMBER to turn off power at the breaker.

Follow the steps below to hang your fan properly:

1. Disconnect power to the fan location at the breaker. A licensed electrician must install the fan.
2. There are four screws on top of the motor assembly. Remove two that are on the opposite of each other and save for section 10. Loosen remaining two.
3. Pass the 120-volt supply wires through the center hole in the ceiling mounting bracket as shown in Figure 4.
4. Secure the hanger plate and hanger gasket to the ceiling outlet box with the screws and washers provided (Fig. 5).

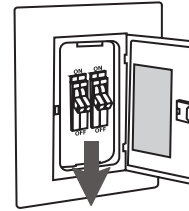


FIGURE 4

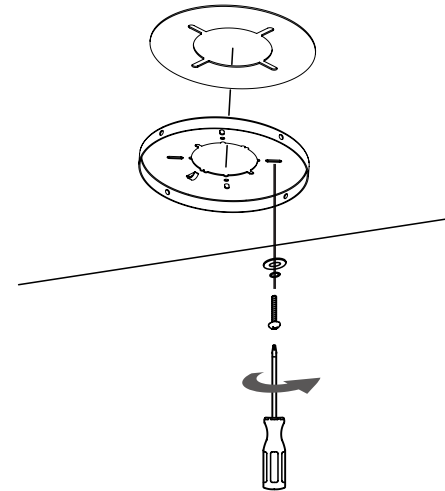


FIGURE 5

7. ATTACHING THE FAN BLADES

1. Place blade on motor as shown in Fig. 6 and secure with the blade attachment screws and washers.
2. Repeat this procedure with the remaining blades (Fig. 6).
3. Secure the bottom of the blades together using the provided blade collector ring and hardware (Fig. 7).

8. ATTACHING DECORATIVE LOWER CAP

1. Tightly twist the decorative lower cap onto the motor assembly (Fig. 8).

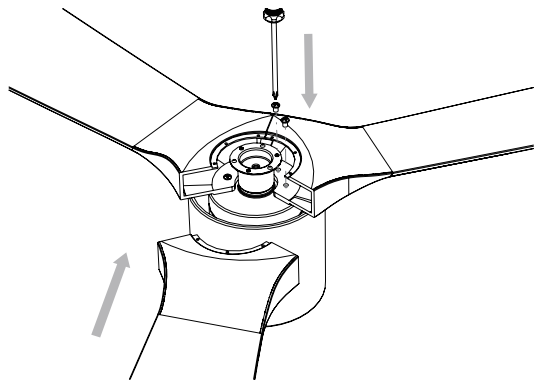


FIGURE 6

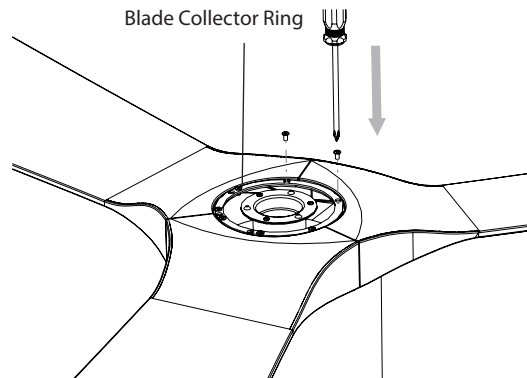


FIGURE 7

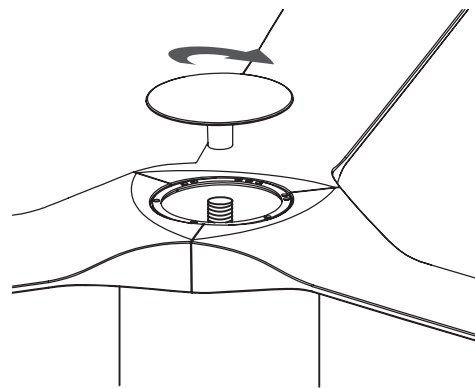


FIGURE 8

9. MAKING THE ELECTRICAL CONNECTIONS

WARNING: To avoid possible electrical shock, be sure electricity is turned off at the main fuse box before wiring.

WARNING: Installation of this fan requires that a two-conductor cable with ground wire be run between ceiling and wall outlet box.

WARNING: Check to see that all connections are tight, including ground, and that no bare wire is visible at the wire nuts, except for the ground wire.

If you feel you do not have enough electrical wiring knowledge or experience, have your fan installed by a licensed electrician.

Insert the receiver into the mounting bracket with the flat side of the receiver facing the ceiling (Fig. 9).

Follow the steps below to connect the fan to your household wiring. Use the plastic wire nuts with your fan. Secure the plastic wire nuts with electrical tape. Make sure there are no loose strands or connections.

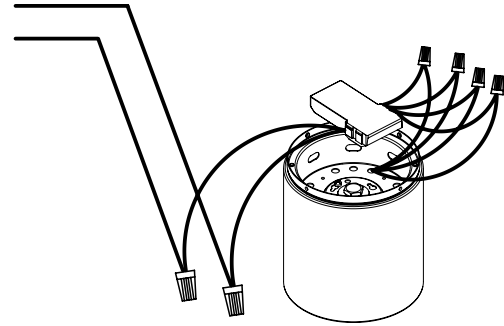


FIGURE 9

9. MAKING THE ELECTRICAL CONNECTIONS (cont.)

Motor to receiver electrical connections: (Fig. 10)

Place motor on flat surface before connecting receiver wires.

1. Connect the red wire from the fan to the red wire marked "TO MOTOR" from the receiver.
2. Connect the gray wire from the fan to the gray wire marked "TO MOTOR" from the receiver.
3. Connect the yellow wire from the fan to the yellow wire marked "TO MOTOR" from the receiver.
4. Connect the white wire from the fan to the white wire marked "For Light" from the receiver.
5. Connect the black wire from the fan to the blue wire marked "For Light" from the receiver.
6. Drop the receiver into the motor assembly, flat side up.

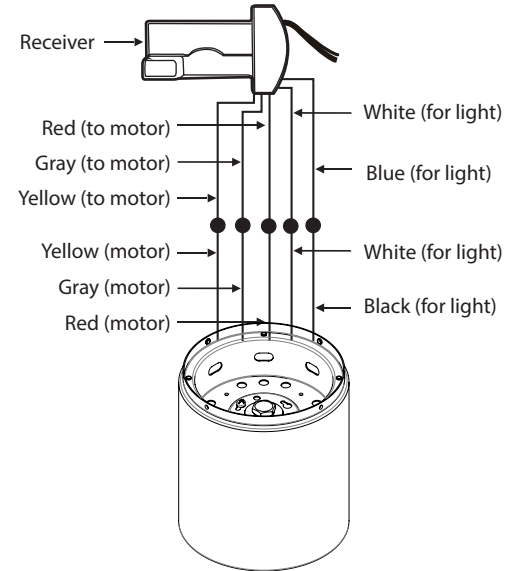


FIGURE 10

9. MAKING THE ELECTRICAL CONNECTIONS (cont.)

Receiver to house supply wires electrical connections: (Fig. 11 & 12)

1. Lift motor assembly and hang it using the cable/hook as shown in Figure 11.
2. Secure the safety cable to the building structure using a wood screw (Fig. 11).
3. Connect the fan assembly ground wire, mounting bracket ground wire and receiver ground wire to the ground wire in outlet box (Fig. 12).

WARNING: Failure to connect ground wires could result in poor fan control functionality.

4. Connect the white wire from the fan to the white wire marked "for light" from the receiver.
5. Connect the black wire from the fan to the blue wire marked "for light" from the receiver.

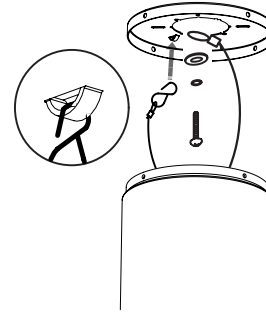


FIGURE 11

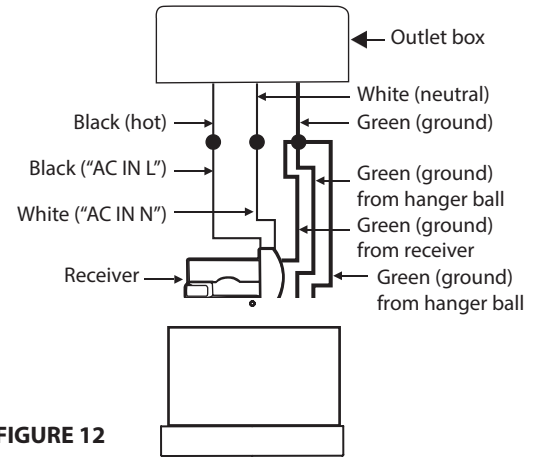


FIGURE 12

10. FINISHING THE INSTALLATION

1. Secure all wire connections with supplied wire ties to assist in fan installation.
2. Tuck connections neatly into ceiling outlet box.
3. Remove the motor assembly from the hook on the mounting bracket. Position the motor up to the hanger plate and attach using two screws through the two key slots in the top of the motor housing (Fig. 13).

Note: Make sure the receiver sits flat and does not interfere with the hook.

4. Align the remaining two circular holes on motor housing with the two holes on the hanger plate. Secure by tightening the two screws.

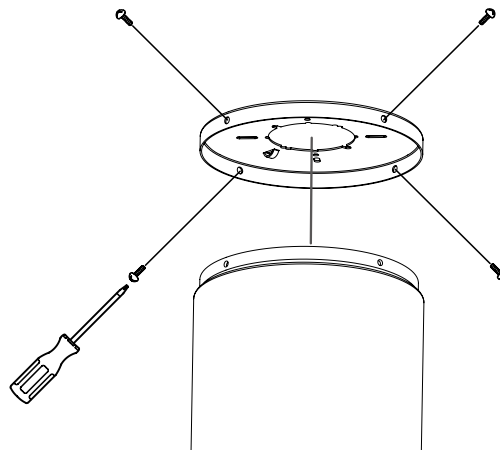


FIGURE 13

11. INSTALLING THE LED LUMINAIRE MODULE (Optional Accessory)

CAUTION: To reduce the risk of electric shock, disconnect the electrical supply circuit to the fan before installing light kit.

1. Remove the three screws from the LED wire storage cap, keep the cap for future use when not using the luminaire (Fig. 14).
2. Install the LED mounting plate using 3 screws removed from step 1 (Fig. 15).
3. Raise and hold the LED luminaire module close to the adapter plate and proceed to secure the wire connections. Connect the white wire connector from the luminaire module to the white wire of the fan. Follow the same procedure with the black wire connectors (Fig. 16).
4. Seat the LED luminaire onto LED mounting plate using 3 screws provided with LED luminaire (Fig 17).
5. Install glass shade by turning it clockwise until it locks securely (Fig. 18).

FIGURE 14

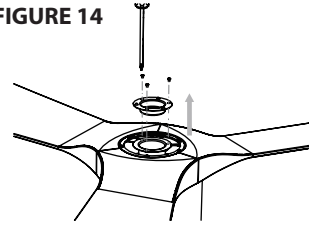


FIGURE 15

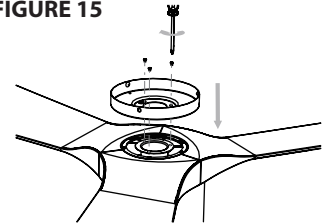


FIGURE 16

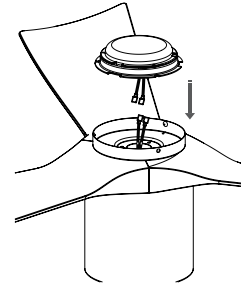


FIGURE 17

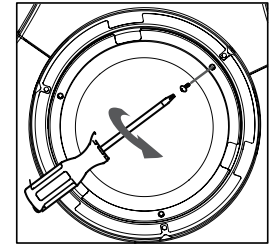
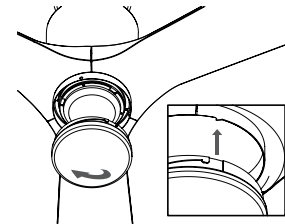


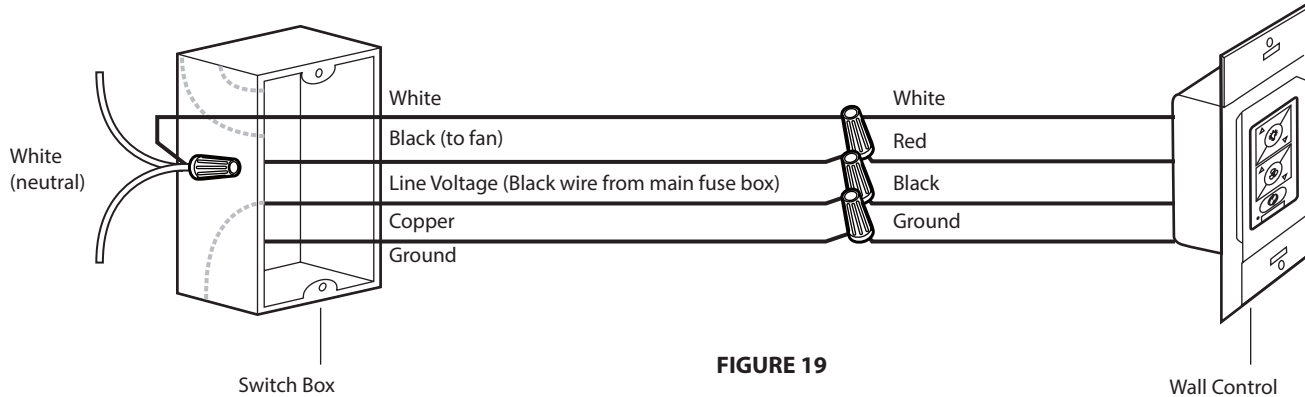
FIGURE 18



12. INSTALLING THE WALL CONTROL

Wall control to wall outlet box electrical connections: (Fig. 19)

1. Connect the white wire from the control to the white (neutral) wire from the wall outlet box.
2. Connect the red wire from the control to the black wire from the wall outlet box that feeds up to the fan.
3. Connect the black wire marked "LINE IN" from the control to the black LINE VOLTAGE wire from the outlet box that feeds back to the main fuse box.
4. Connect ground wires - Important for proper control function.



12. INSTALLING THE WALL CONTROL (cont.)

WARNING: Remember to shut the power off at the circuit breaker or fuse box.

1. Carefully tuck the wire connections inside the junction box. Secure the wall control with the two wall transmitter screws provided (Fig. 20).
2. Attach the wall mounting plate over the wall switch and secure with the two wall mounting plate screws provided.
3. Fasten the wall plate to the wall mounting plate.

NOTE: A maximum of 2 fans can operate on a circuit through the wall transmitter.

NOTE: A maximum of 12 fans can operate on a circuit through an on off switch or breaker when utilizing the app for the fan control (without the wall control in the circuit).

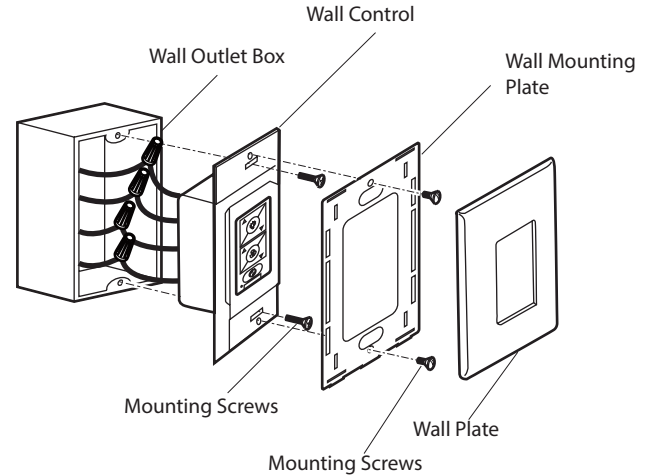


FIGURE 20

13. WALL CONTROL OPERATING INSTRUCTIONS




Your DC brushless motor is equipped with an intuitive wall control.
Restore power to ceiling fan and test the wall control as below for proper operation.

Pairing the Wall Control to Your Fan

Your fan is pre-paired at the factory, No pairing is necessary.

Wall Control Button Definitions

These seven buttons are used to set the fan speed as follows:

-  Button: turn the light ON or OFF
Press/Hold \triangle to increase the desired light level.
Press/Hold ∇ to decrease the desired light level.
-  Button: turn the fan ON or OFF
Press/Hold the \triangle button to increase the fan speed through the speed settings.
Press/Hold the ∇ button to decrease the fan speed through the speed settings.
-  Button: Switch between summer mode and winter mode.

ON-OFF Switch: Pull switch tab to power off in case of emergency. Not necessary for normal fan operation.

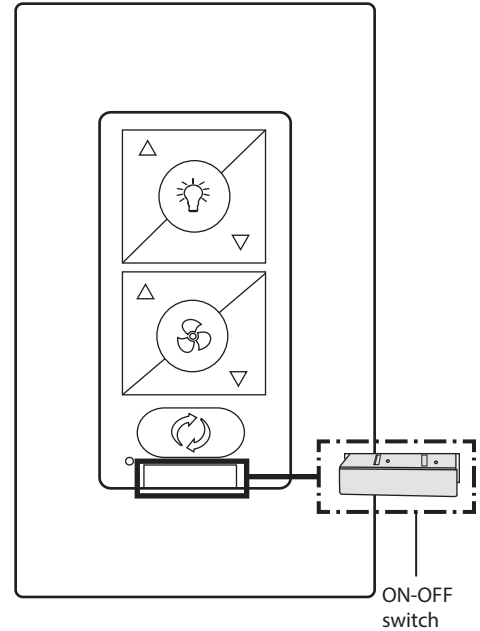


FIGURE 21

13. WALL CONTROL OPERATING INSTRUCTIONS (cont.)

NOTE: A maximum of 2 fans can operate on a circuit through the wall control.

NOTE: A maximum of 12 fans can operate on a circuit through an on/off switch or breaker when utilizing the app for the fan control (without the wall control in the circuit).

Summer Mode - (counter-clockwise) A downward airflow creates a cooling effect as shown in Fig. 22. This allows you to set your air conditioner on a warmer setting without affecting your comfort.

Winter Mode - (clockwise) An upward airflow moves warm air off the ceiling area and redistributes the warm air to the living space as shown in Fig. 23. This should allow for savings on heating costs.

NOTE: To operate the reverse function on this fan, press the reverse button while the fan is running.

NOTE: Fans do not change the temperature in the room, they change the comfort level allowing you to save energy.

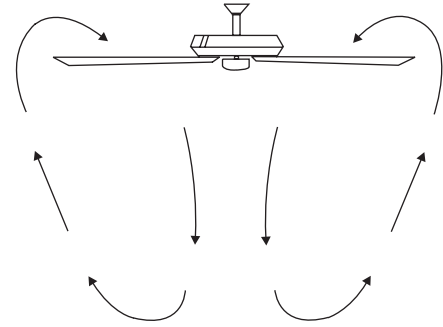


FIGURE 22

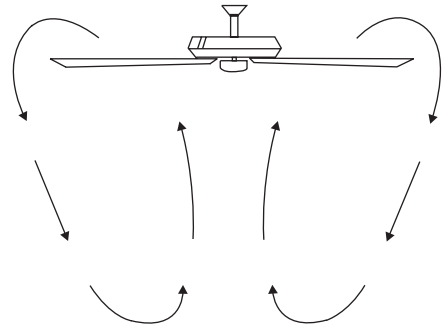


FIGURE 23

14. APPLICATION

In addition to the included wall control, you can control the fan through the Modern Forms app.

1. To use the app, download it for free from the App Store or Google Play.
2. Open the app to create your account. You can also log in with your Facebook or Google account.
3. Next, set up a WiFi connection. You'll need the SSID and WiFi password for the network you want to connect to.
4. You'll receive a prompt to name your fan device and upload a picture of it if you choose.
5. The app will walk you through the main screen and show you how to create schedules, change fan speeds, dim the light, switch between Summer/Winter mode, invite users, create groups and much more.
Refer to app instructions for more details.

NOTE: A maximum of 2 fans can operate on a circuit through the wall control.

NOTE: A maximum of 12 fans can operate on a circuit through an on/off switch or breaker when utilizing the app for the fan control (without the wall control in the circuit).

FH-W1811

FIGURE 24

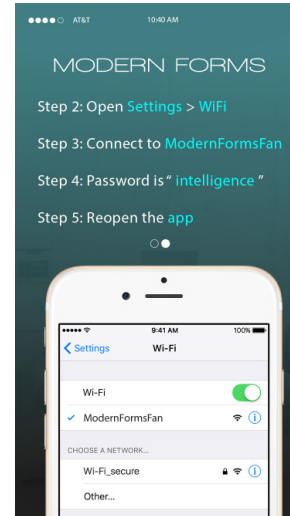
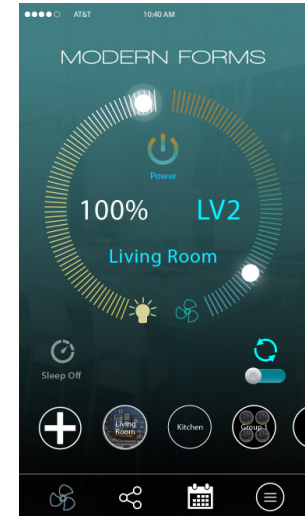


FIGURE 25





APP INSTRUCTIONS AND SMART HOME DEVICE INTEGRATION
modernforms.com/mfapps

20

15. TROUBLESHOOTING

Problem	Solution
Fan will not start.	<ol style="list-style-type: none">1. Check circuit fuses or breakers.2. Check wall control LED indicator light. If LED is not illuminated when pushing a button, it is not transmitting a signal. Please check power to wall control and all electrical connections.3. Assure that there are no more than 2 fans operating on a circuit through the wall control. Assure that there are no more than 12 fans operating on a circuit through an on/off wall switch or a breaker (not through a wall control).4. Assure that the fan is within range of the Wifi (150 ft.) or wall control (30 ft.).
Fan sounds noisy.	<ol style="list-style-type: none">1. Allow a 24-hour "breaking-in" period. Most noise associated with a new fan will disappear during this time.2. Make sure all motor housing screws are securely fastened.3. Make sure the screws that attach the fan blade to the fan are securely fastened.4. Make sure your ceiling box is secure and rubber isolator pads are used between the mounting bracket and outlet box.
Fan wobbles.	<ol style="list-style-type: none">1. Check that all blade and blade arm screws are securely fastened.2. If the blade wobble is still noticeable, interchanging two adjacent (side by side) blades can redistribute the weight and possibly result in smoother operation.

16. ACCESSORIES

PRODUCT	MODEL	DESCRIPTION	FINISH
WIFI TOUCH PANEL WALL CONTROL 	F-TS	Full app control Wi-Fi range: Up to 150ft. from router Sold separately	BK, WT
RF WALL CONTROL 	F-WC	Included with each fan 6 fan speeds Dims light to 1% ON/OFF Wall control range: Up to 30ft. from fan Works in conjunction with Modern Forms Fan Receiver (not included)	WT

Español

For instructions in Spanish please visit the link below.
Para obtener instrucciones en español, visite el siguiente enlace.

www.modernforms.com/fan-instructions-espanol

Français

For instructions in French please visit the link below.
Pour obtenir des instructions en français, veuillez visiter le lien ci-dessous.

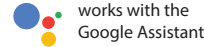
www.modernforms.com/fan-instructions-francais

MODERN FORMS LUMINAIRES + SMART FANS

Get Smart

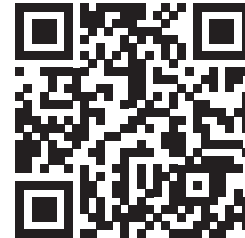
The Modern Forms app synchronizes seamlessly with smart home devices you already own.

To learn more go to modernforms.com/mfappins



Free App Download

Sync with our exclusive Modern Forms App to control fan speed, use smart features like Adaptive Learning, create groups and reduce energy costs.



modernforms.com/mfappins

MODERN FORMS SMART FANS

FH-W1811

modernforms.com