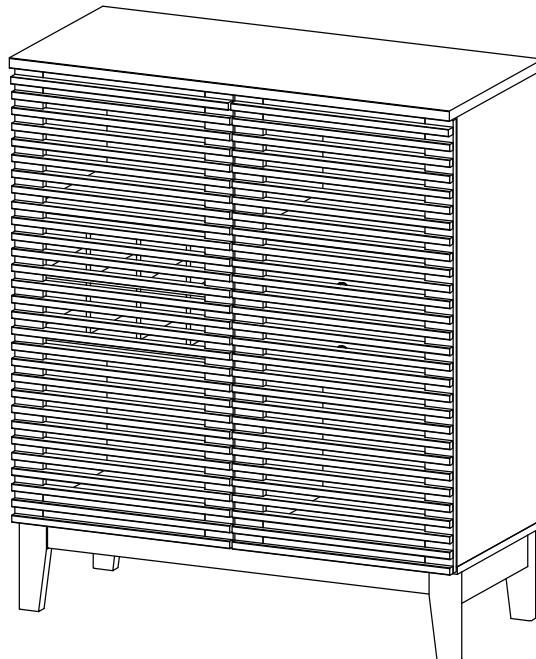


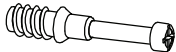





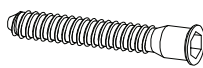

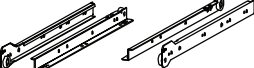
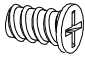

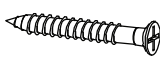
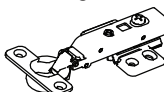
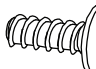





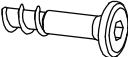



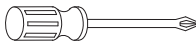
Thank you for purchasing the **MODWAY CABINET** !

Before you start, here are some helpful advice:

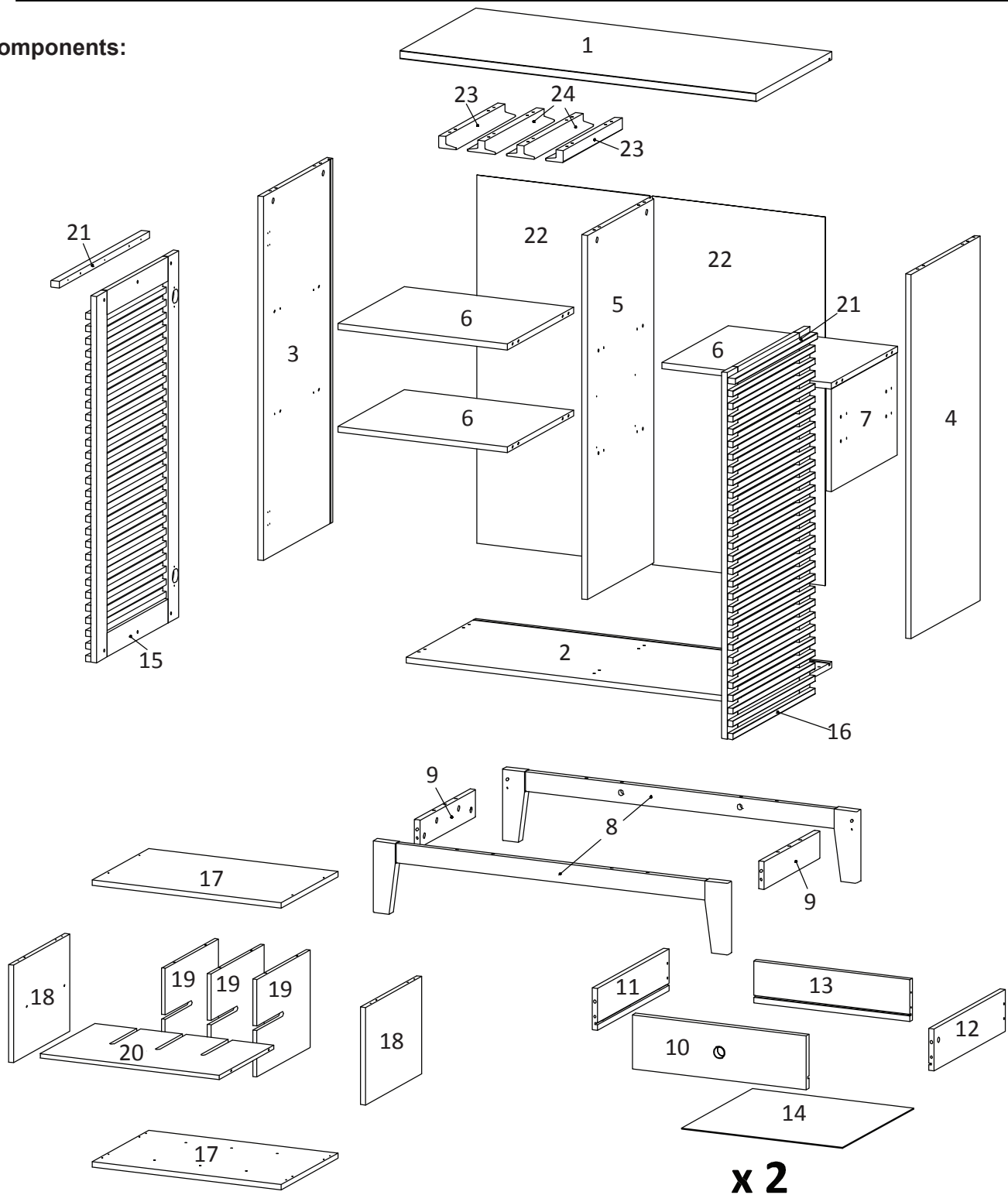
1. We suggest you spend a short time reading through this leaflet and then follow the simple step-by-step instructions.
2. Owing to the size and weight of the Cabinet, we recommend that it is assembled by two adults, on a carpeted or padded area, in the room that it is intended for. Approximate assembly time: 70 minutes.
3. Please do not use any tools other than those provided or recommended in these instructions.
4. Please do not throw away any of the packaging or instructions until you have checked all the components and hardware and the furniture is fully assembled.
5. Assemble all components loosely until advised to tighten. Depending on use, it may be necessary to tighten the components from time to time, so please save the tools that have been provided.
6. Please keep all pieces out of reach of children.



Hardware :

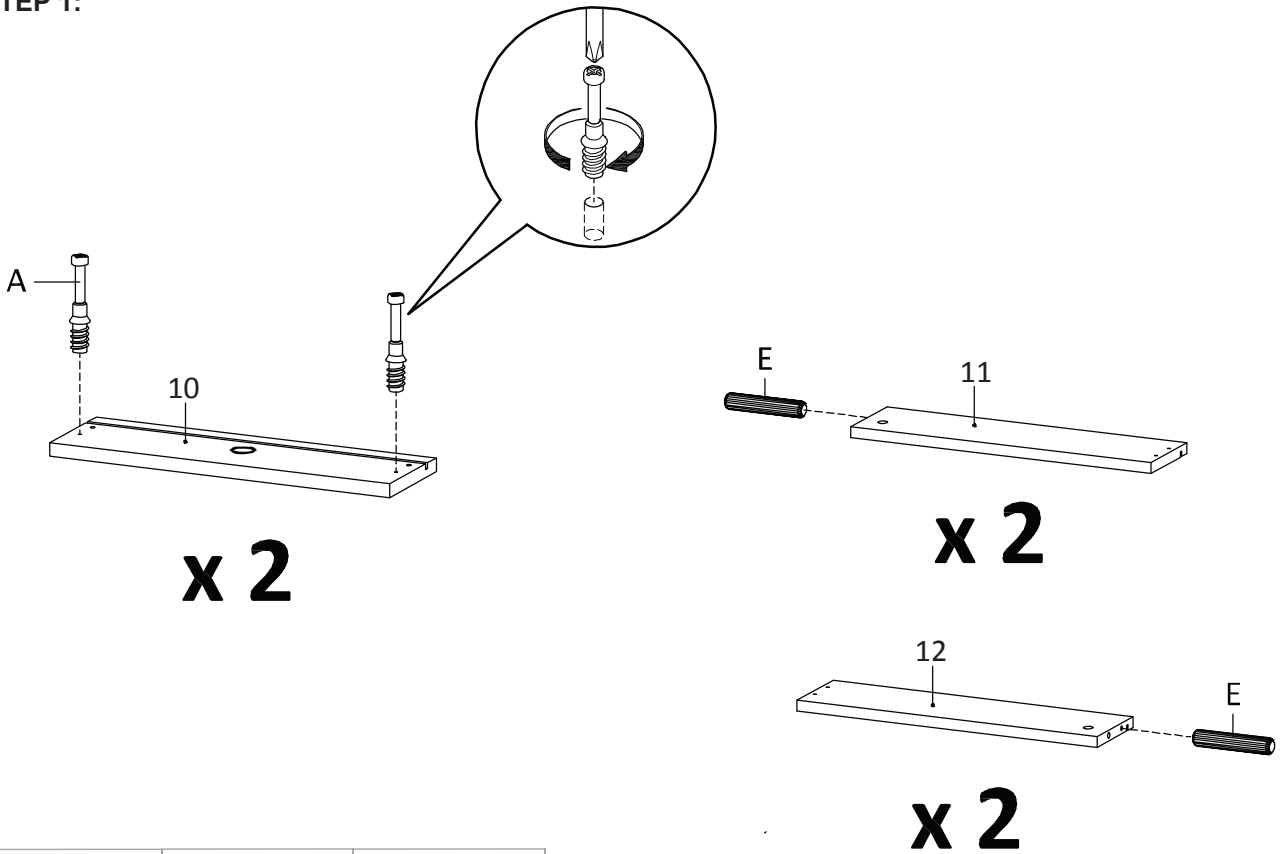
A)  ∅ 6 x 35 mm x 34	B)  ∅ 15 mm x 30	C)  ∅ 12 mm x 4	D)  ∅ 8 x 30 mm x 44	E)  ∅ 6 x 30 mm x 28
F)  ∅ 8 x 50 mm x 2	G)  M 7 x 50 mm x 6	H)  L 4 x 1	I)  350 mm x 2	J)  M 6 x 10.5 mm x 18
K)  M 3.5 x 13 mm x 12	L)  M 8 x 39 mm x 16	M)  x 4	N)  M 4.5 x 12.5 mm x 24	O)  9 x 14 x 10 mm x 20
P)  M 3.5 x 15.5 mm x 20	Q)  M 6.4 x 45 mm x 8	R)  x 1	S)  ∅ 5 x 20 mm x 4	T)  M 6.4 x 25 mm x 10
U)  x 2	V)  ∅ 8 x 20 mm x 4	W)  25 x 15 x 2 mm x 4	X)  x 1	

Components:



1	Top Board	x1	2	Bottom Board	x1	3	Side Board Left	x1	4	Side Board Right	x1
5	Center Board	x1	6	Fixed Shelf	x3	7	Side Board Small	x1	8	Assembly Leg	x2
9	Support Leg	x2	10	Front Drawer	x2	11	Side Drawer Left	x2	12	Side Drawer Right	x2
13	Back Drawer	x2	14	Bottom Drawer	x2	15	Frame Door Left	x1	16	Frame Door Right	x1
17	Top/Board (Cube)	x2	18	Side Board (Cube)	x2	19	Centre Board (Cube)	x3	20	Fixed Shelf (Cube)	x1
21	Handle	x2	22	Back Board	x2	23	Glass Holder 1	x2	24	Glass Holder 2	x2

STEP 1:



x 2

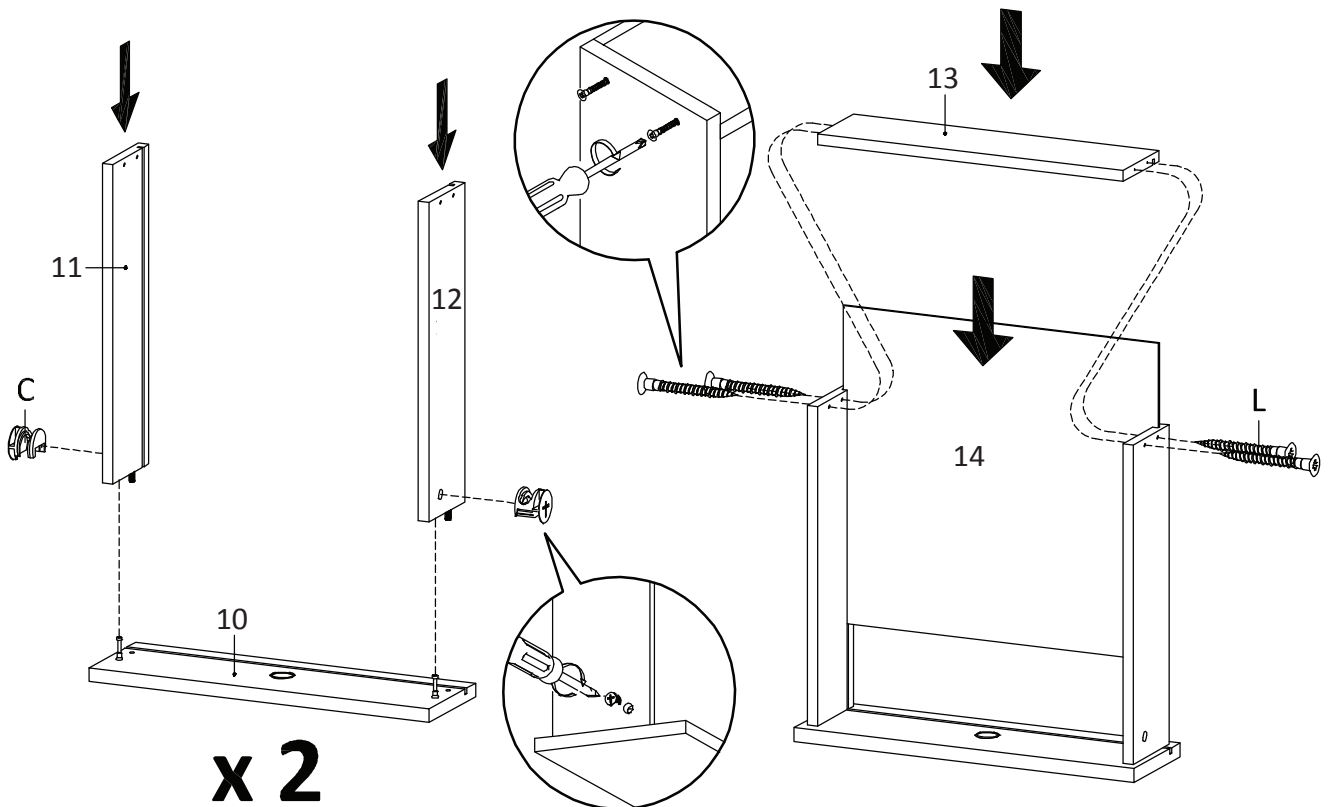
x 2

x 2

Ax4	Ex4	Xx1

Hardware required.
Screwdriver not included

STEP 2:



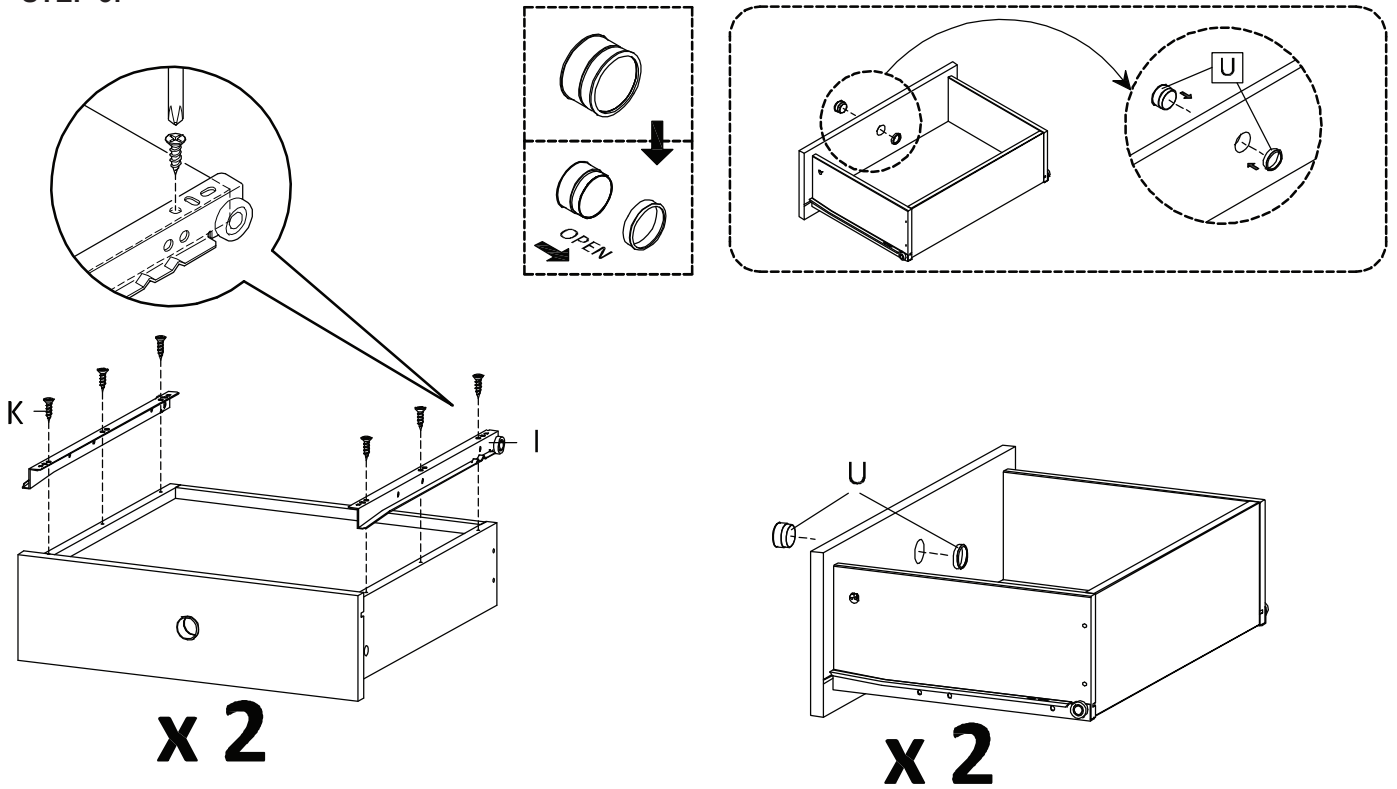
x 2

x 2

Cx4	Lx8	Xx1

Hardware required.
Screwdriver not included

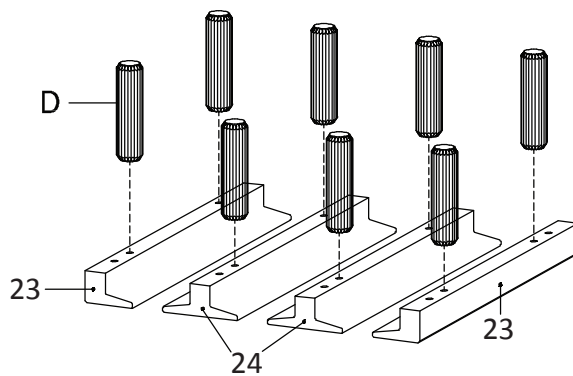
STEP 3:



Ix2	Kx12	Ux2	Xx1

Hardware required.
Screwdriver not included

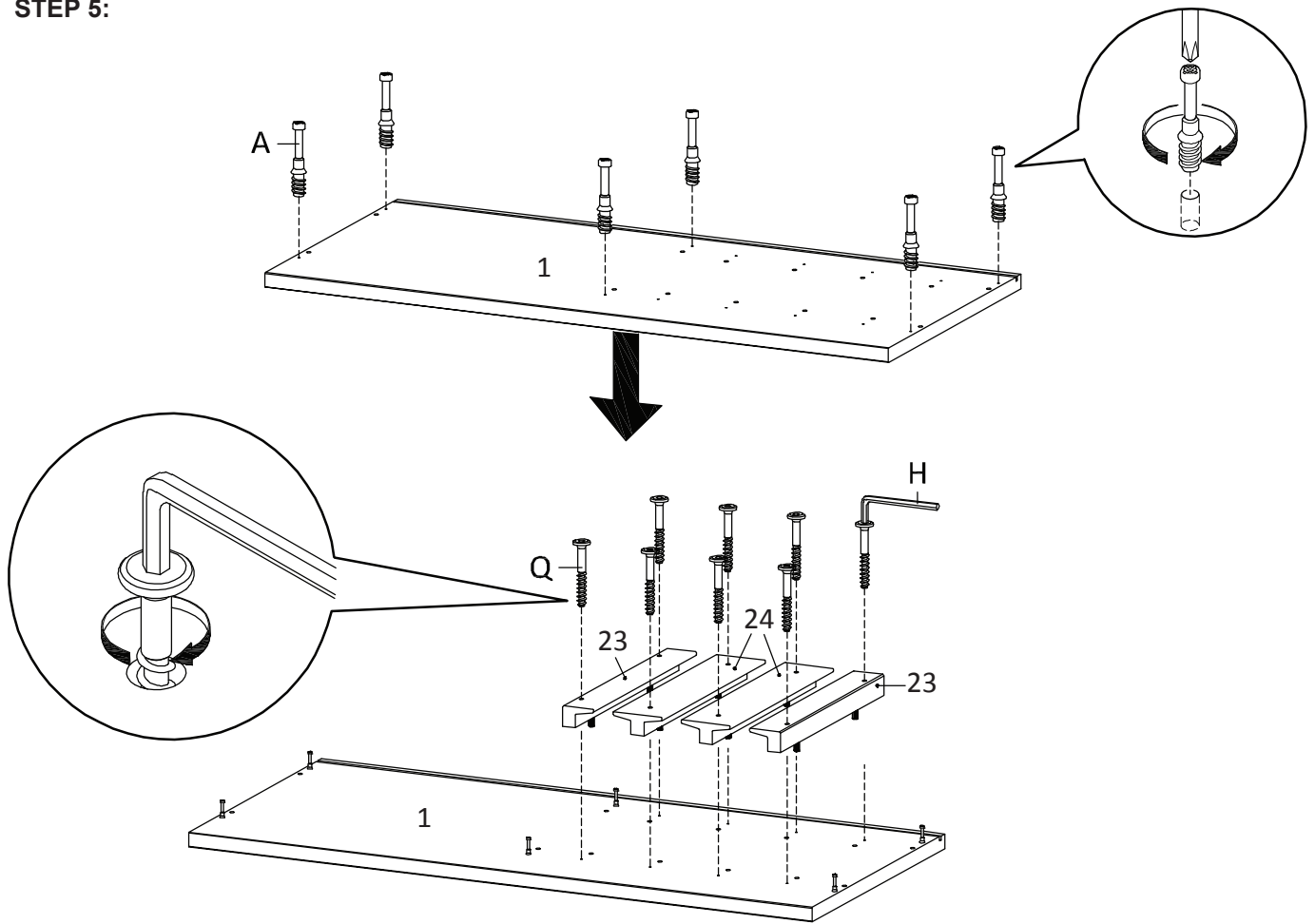
STEP 4:



Dx8

Hardware required.

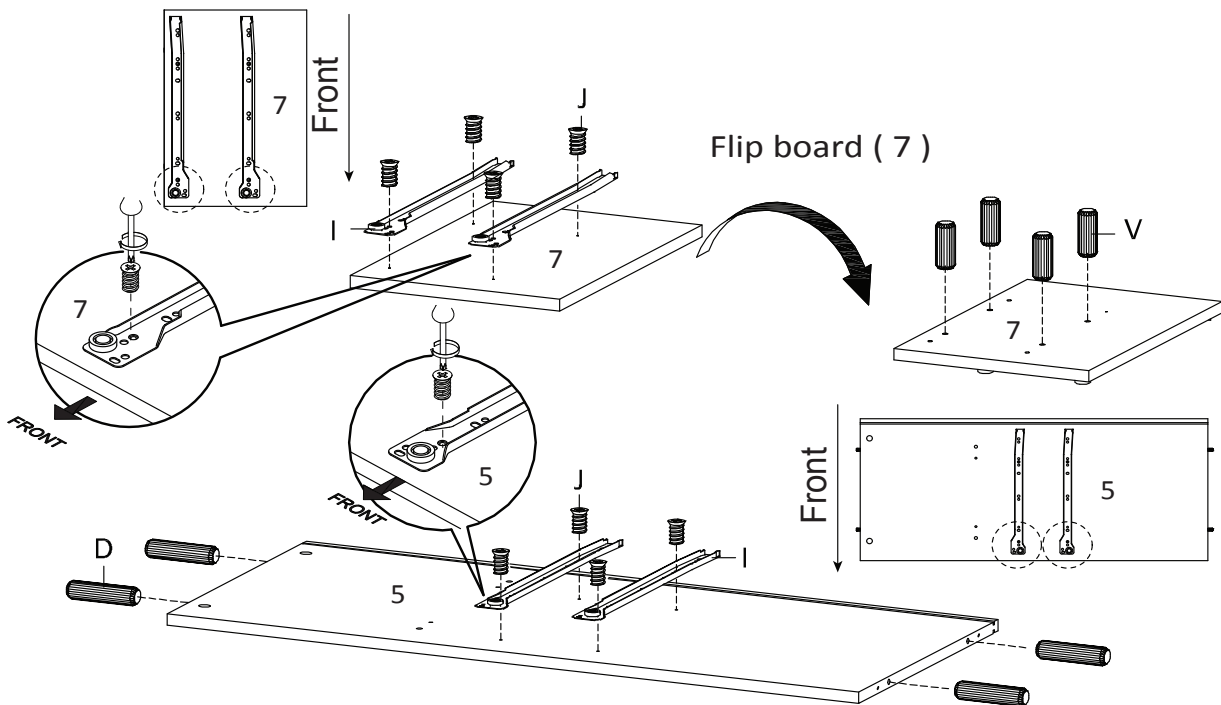
STEP 5:



Ax6	Hx1	Qx8	Xx1

Hardware required.
Screwdriver not included

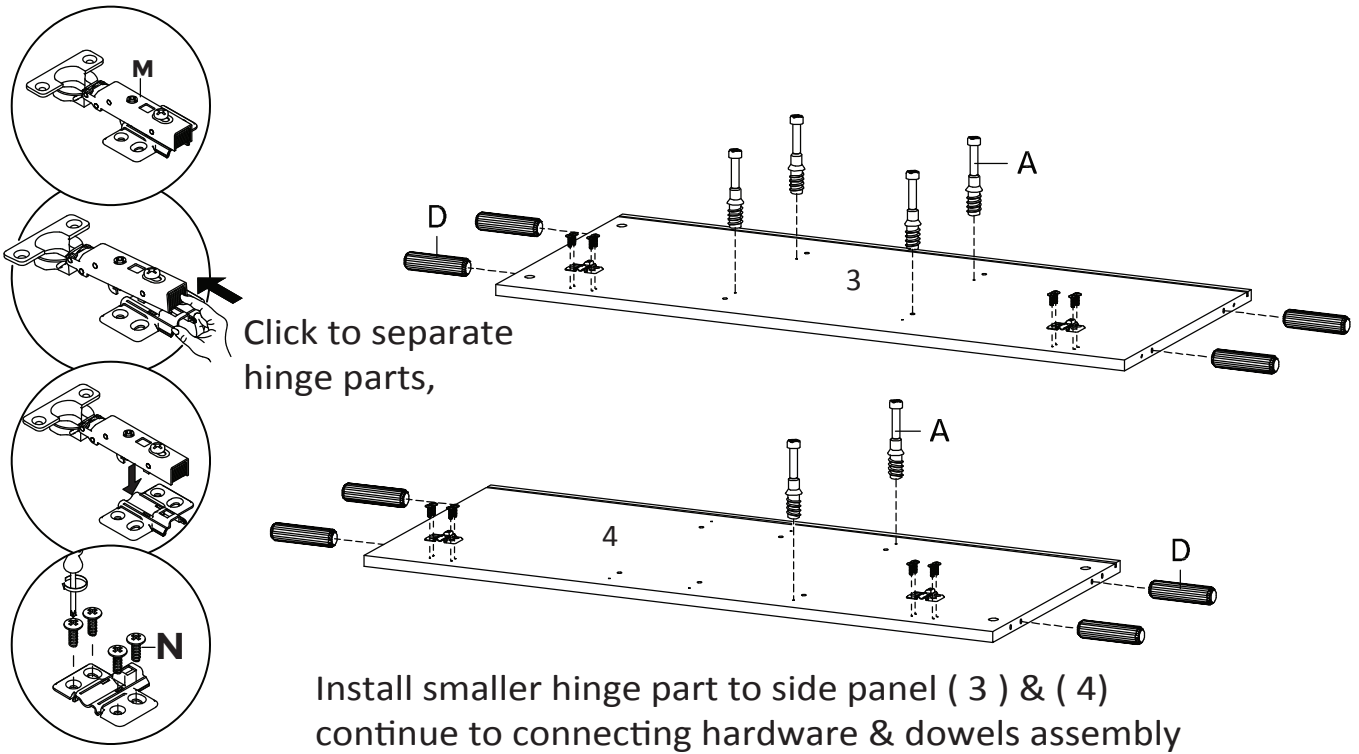
STEP 6: Drawer runner/rail track assembly to side-board small and center-board



Dx4	Ix2	Jx8	Vx4	Xx1

Hardware required.
Screwdriver not included

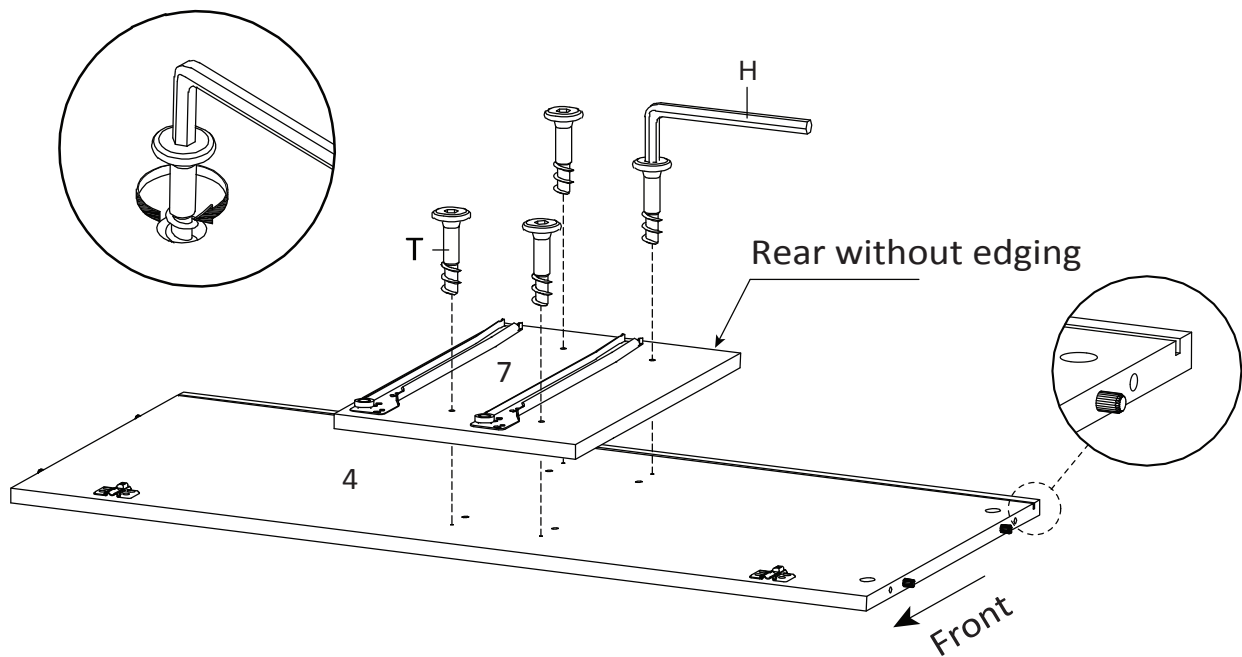
STEP 7:



Ax6	Dx8	Mx4	Nx16	Xx1

Hardware required.
Screwdriver not included

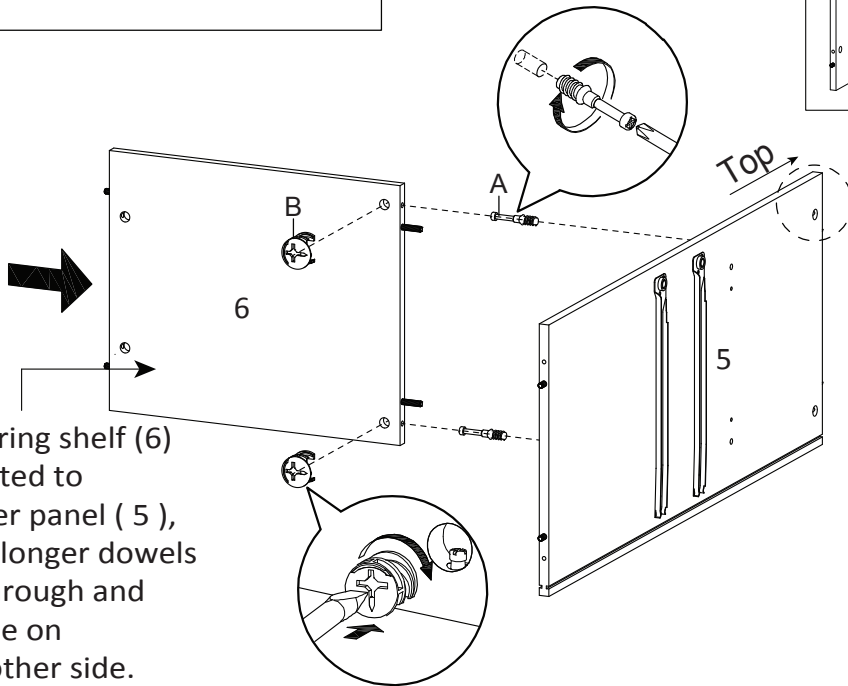
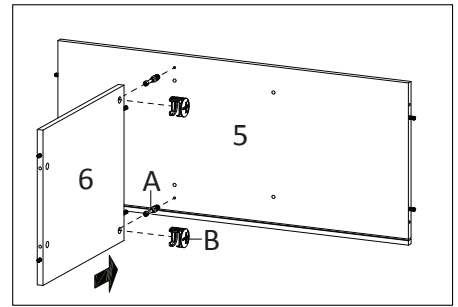
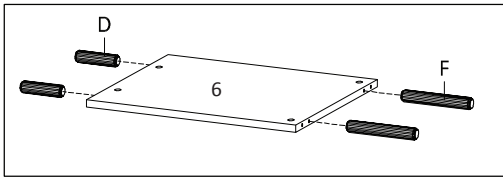
STEP 8: Securing component (7) from step 6 to right side panel (4)



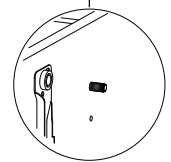
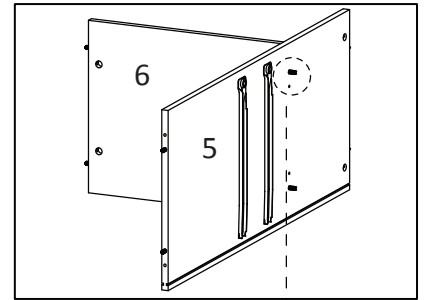
H	Tx4

Hardware required.

STEP 9:



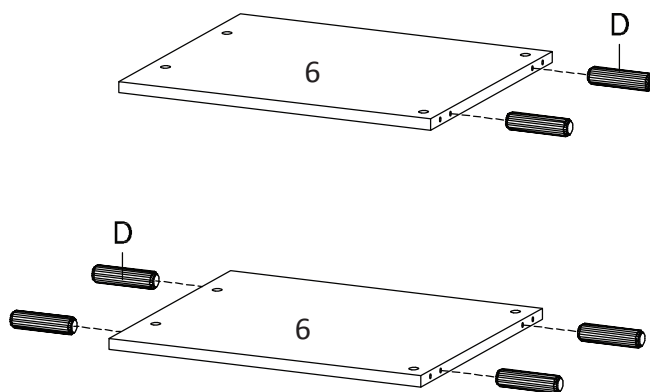
Ensuring shelf (6) inserted to center panel (5), with longer dowels go through and visible on the other side.



Ax1	Bx1	Dx2	Fx2	Xx1

Hardware required.
Screwdriver not included

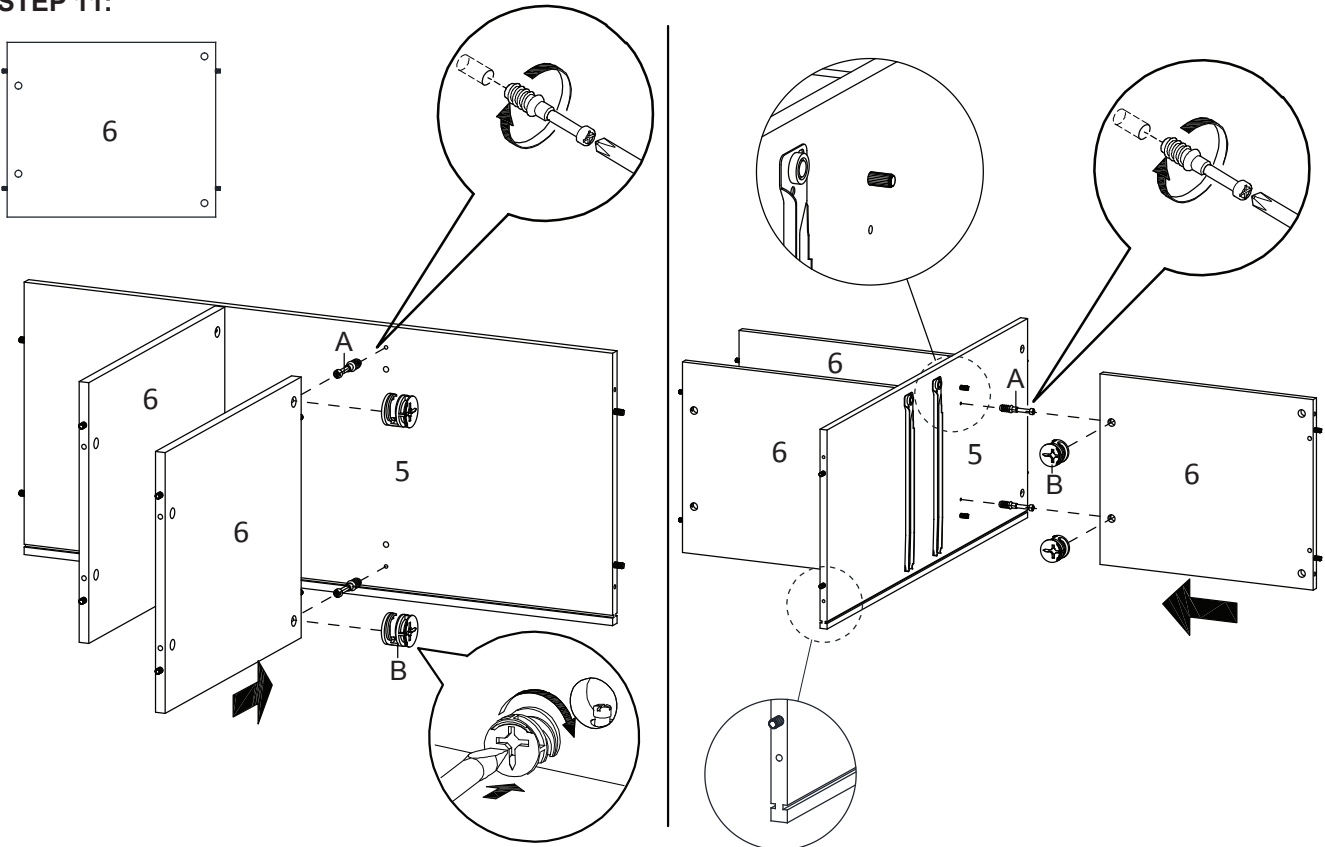
STEP 10 :

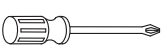


Dx6	Xx1

Hardware required.
Screwdriver not included

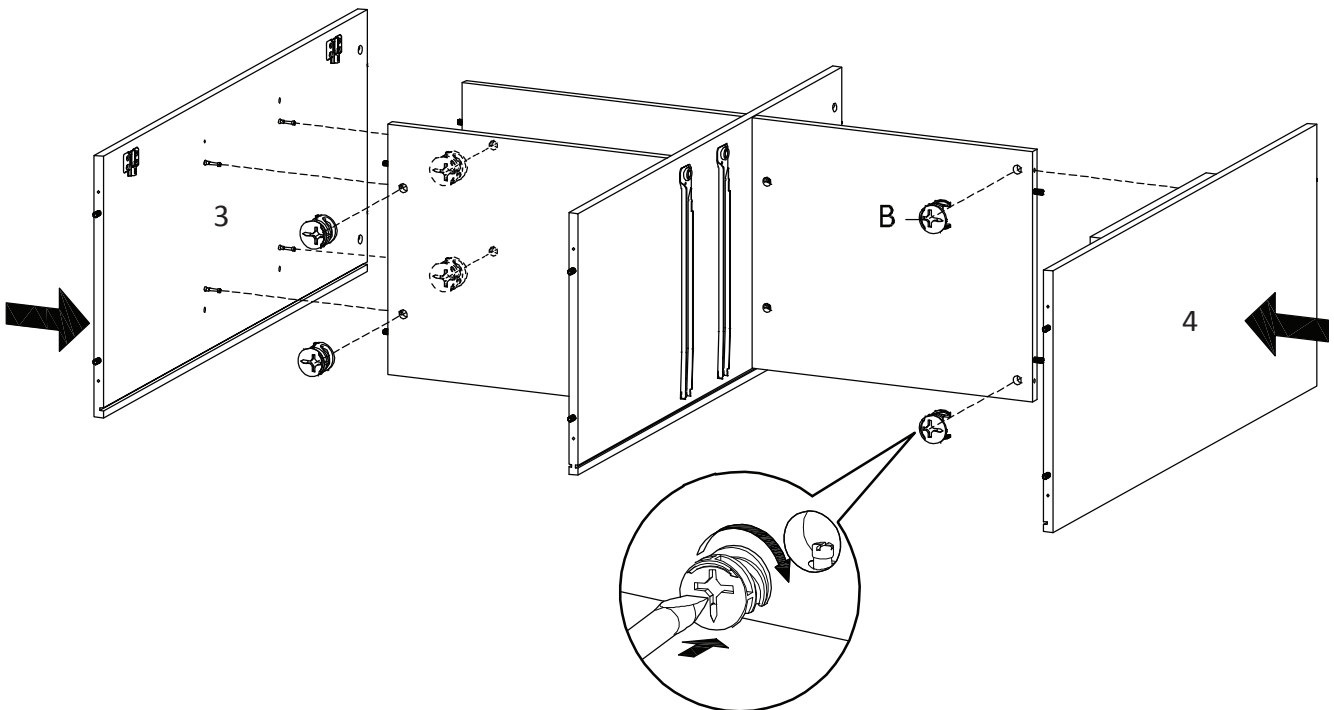
STEP 11:





		
Ax4	Bx4	Xx1

Hardware required.
Screwdriver not included

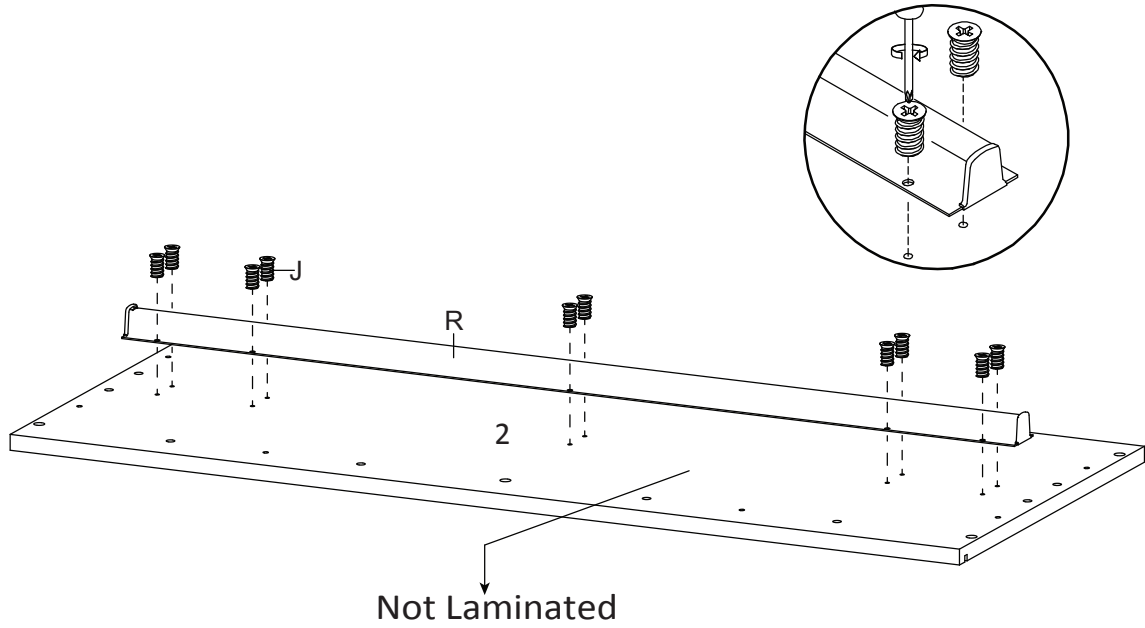
STEP 12:



	
Bx6	Xx1

Hardware required.
Screwdriver not included

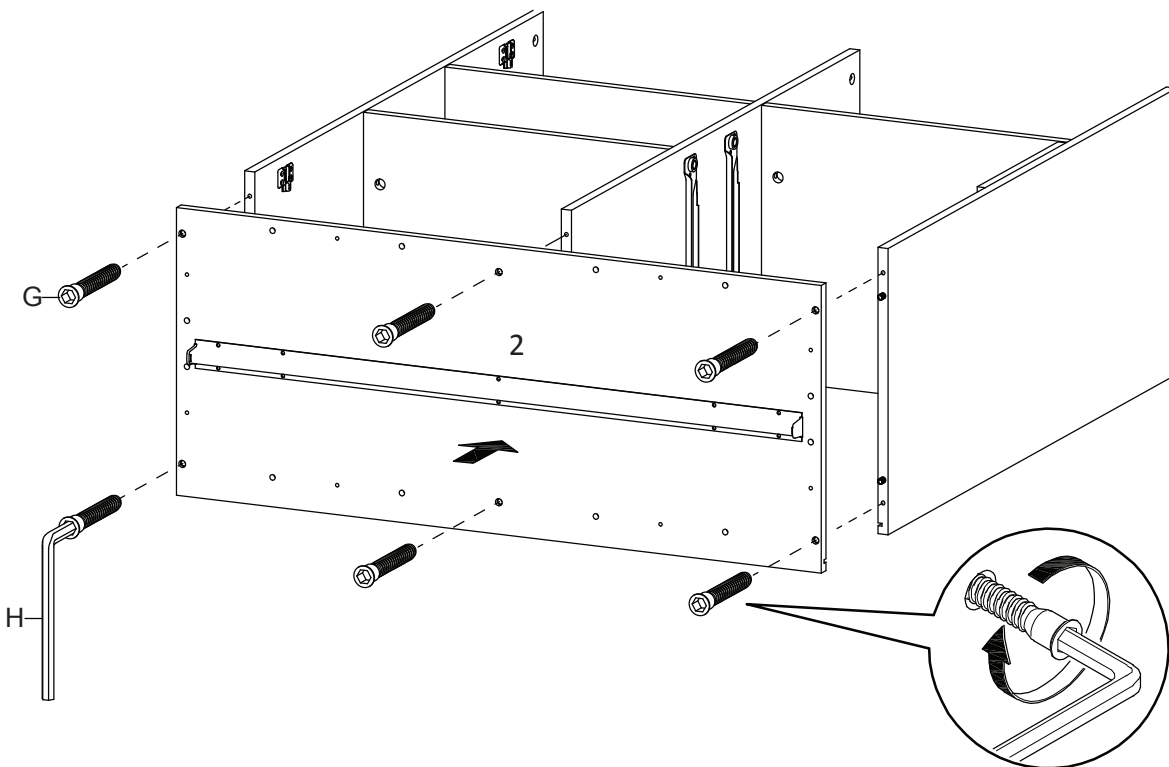
STEP 13:



Jx10	Rx1	Xx1

Hardware required.
Screwdriver not included

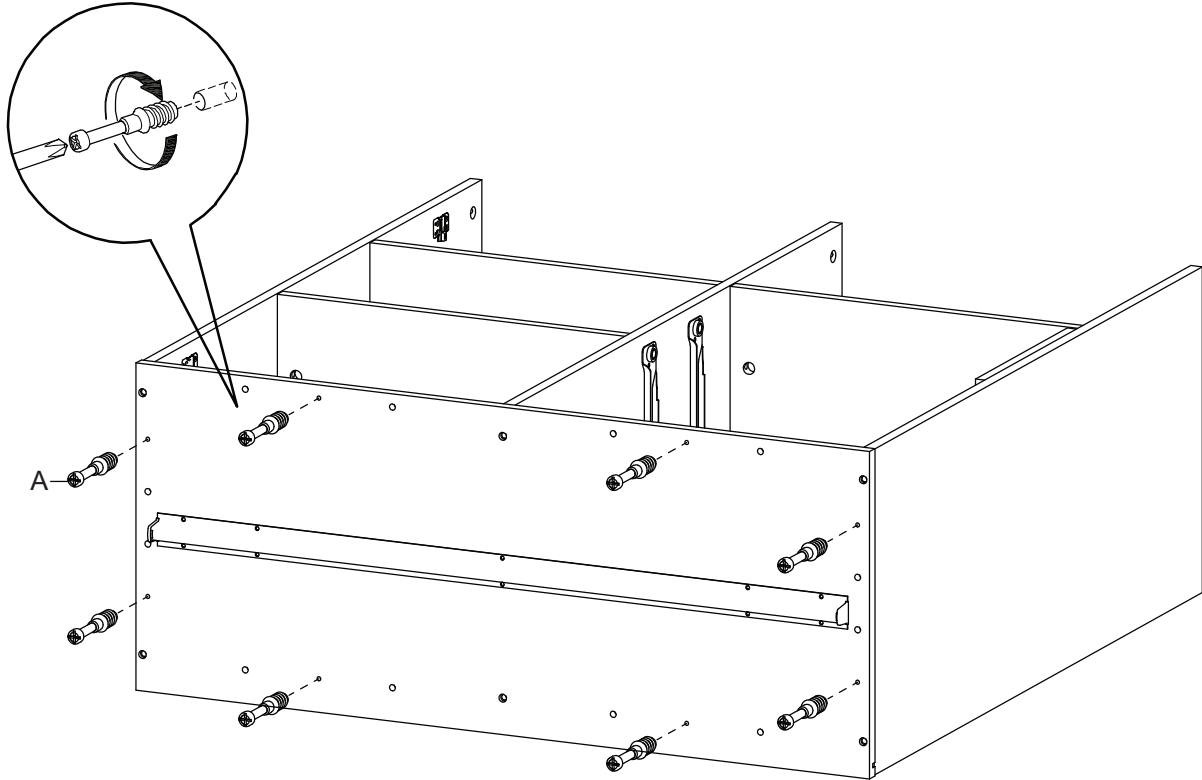
STEP 14:

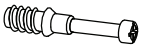



Gx6	Hx1

Hardware required.

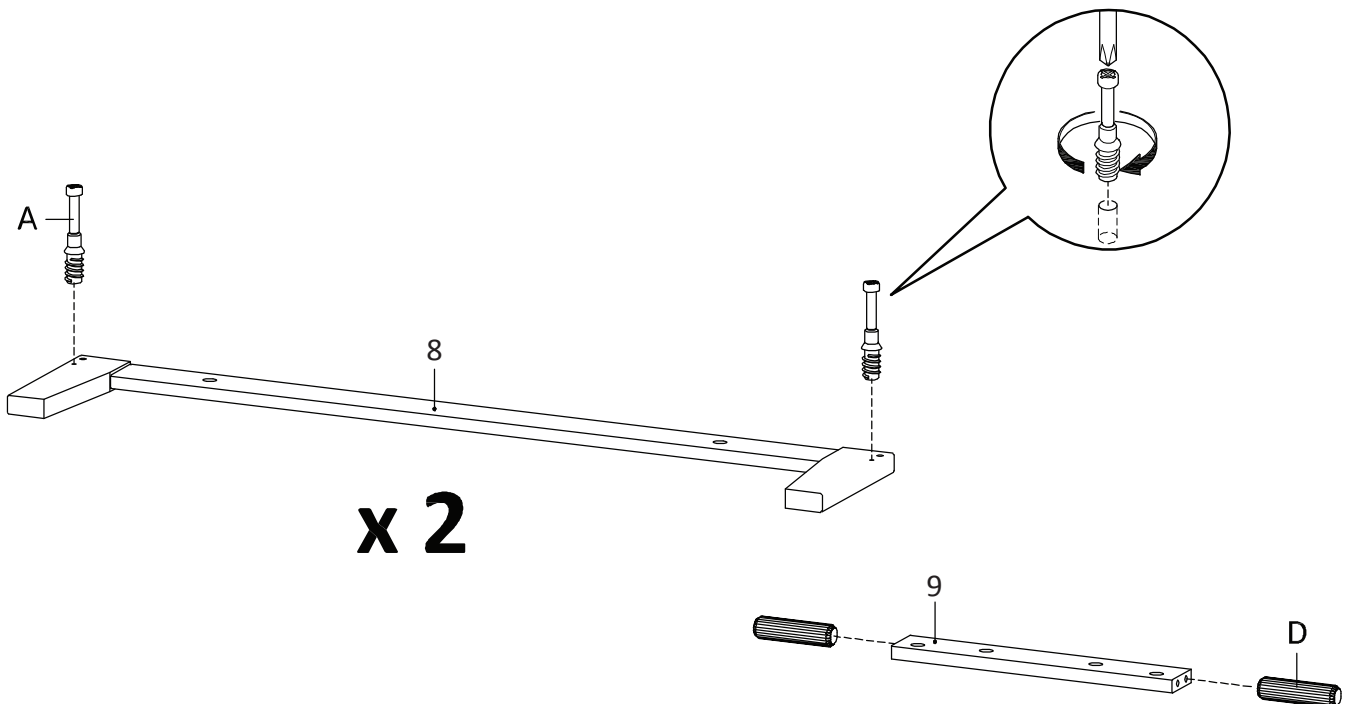
STEP 15:



	
Ax8	Xx1



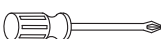
Hardware required.
Screwdriver not included

STEP 16:



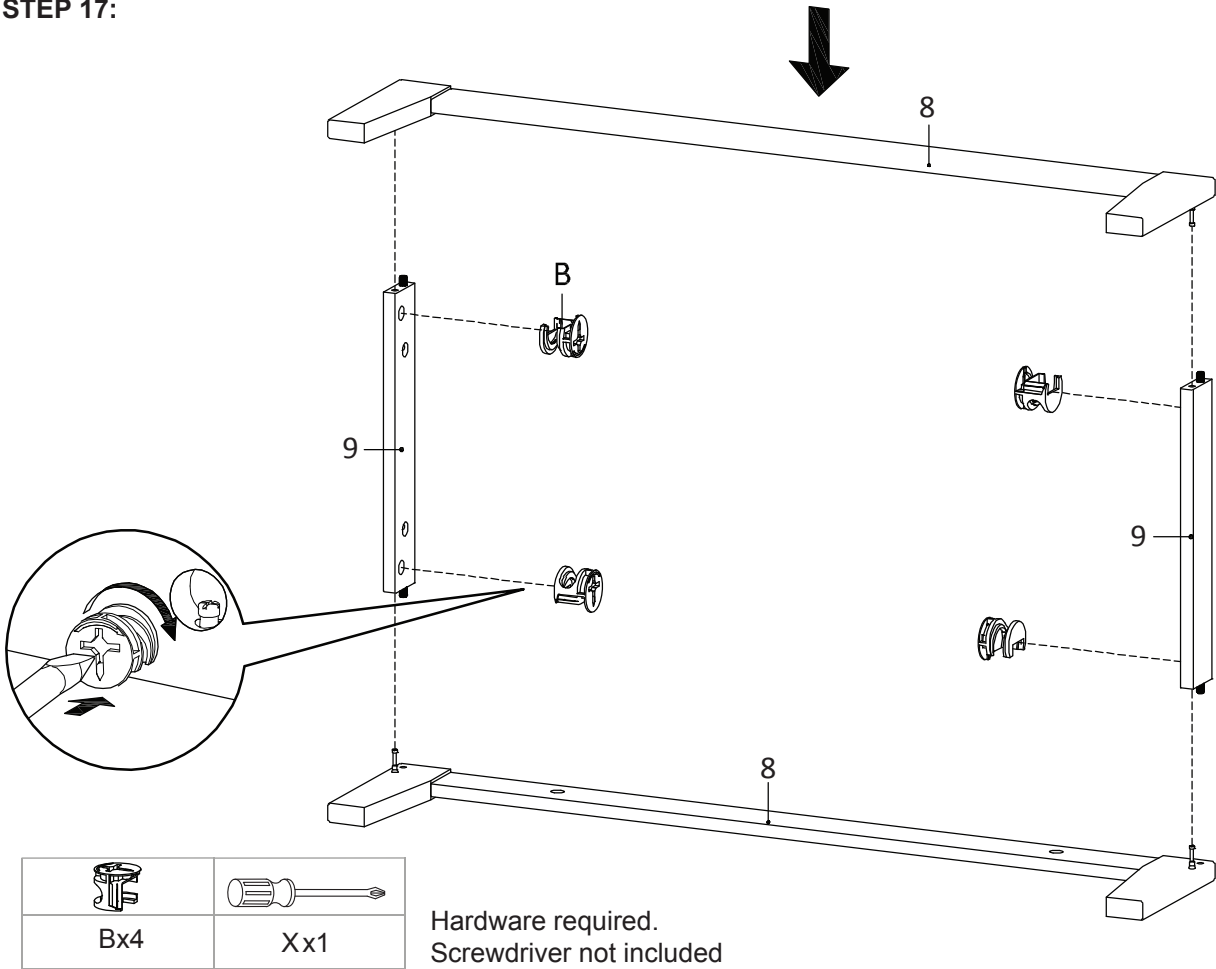
x 2

x 2

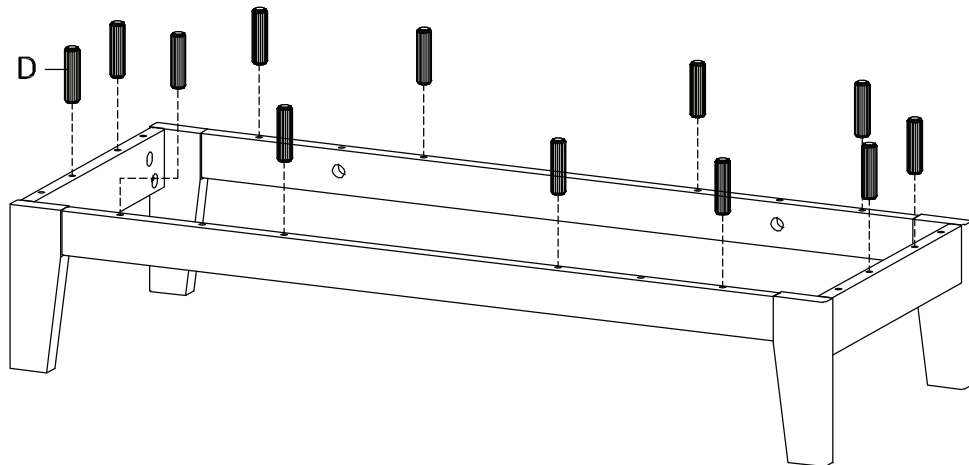
		
Ax4	Dx4	Xx1


Hardware required.
Screwdriver not included

STEP 17:



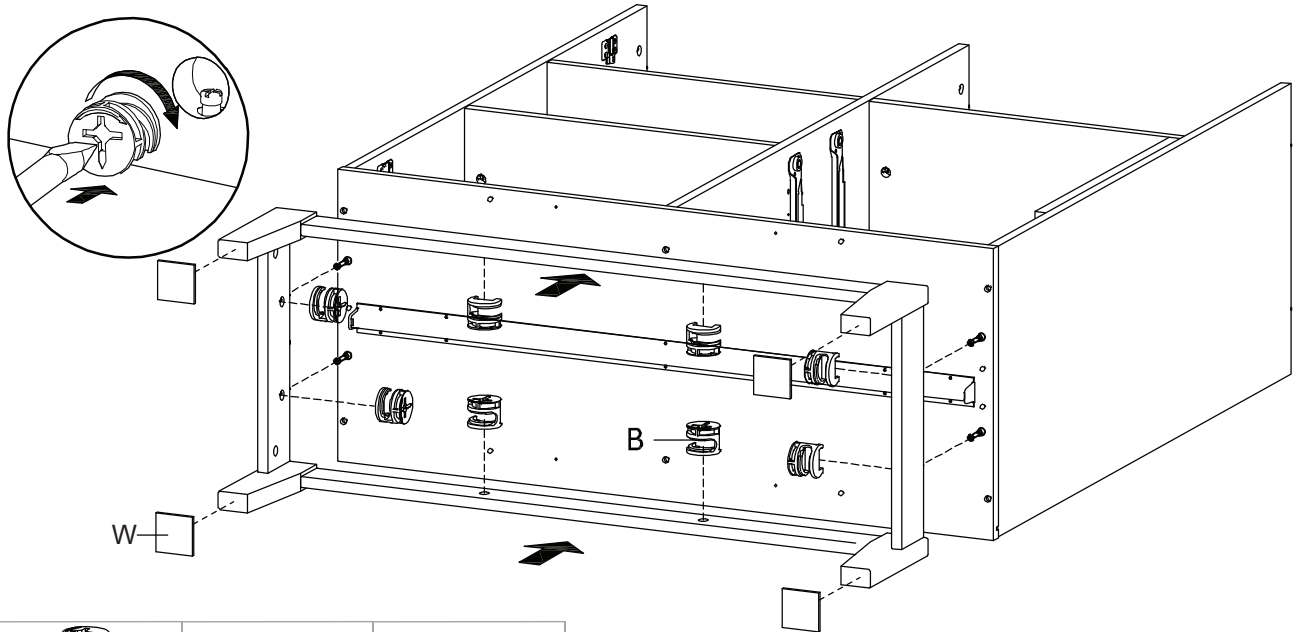
STEP 18:




Dx12

Hardware required.

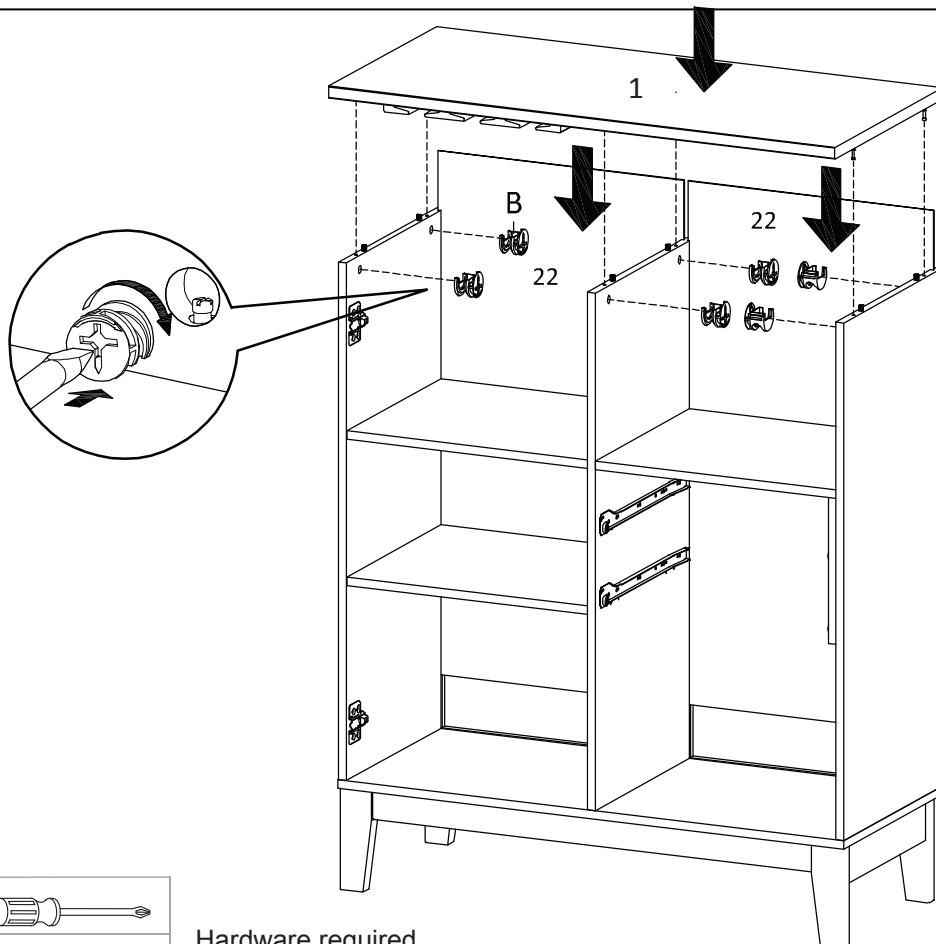
STEP 19:



Bx8	Wx4	Xx1

Hardware required.
Screwdriver not included

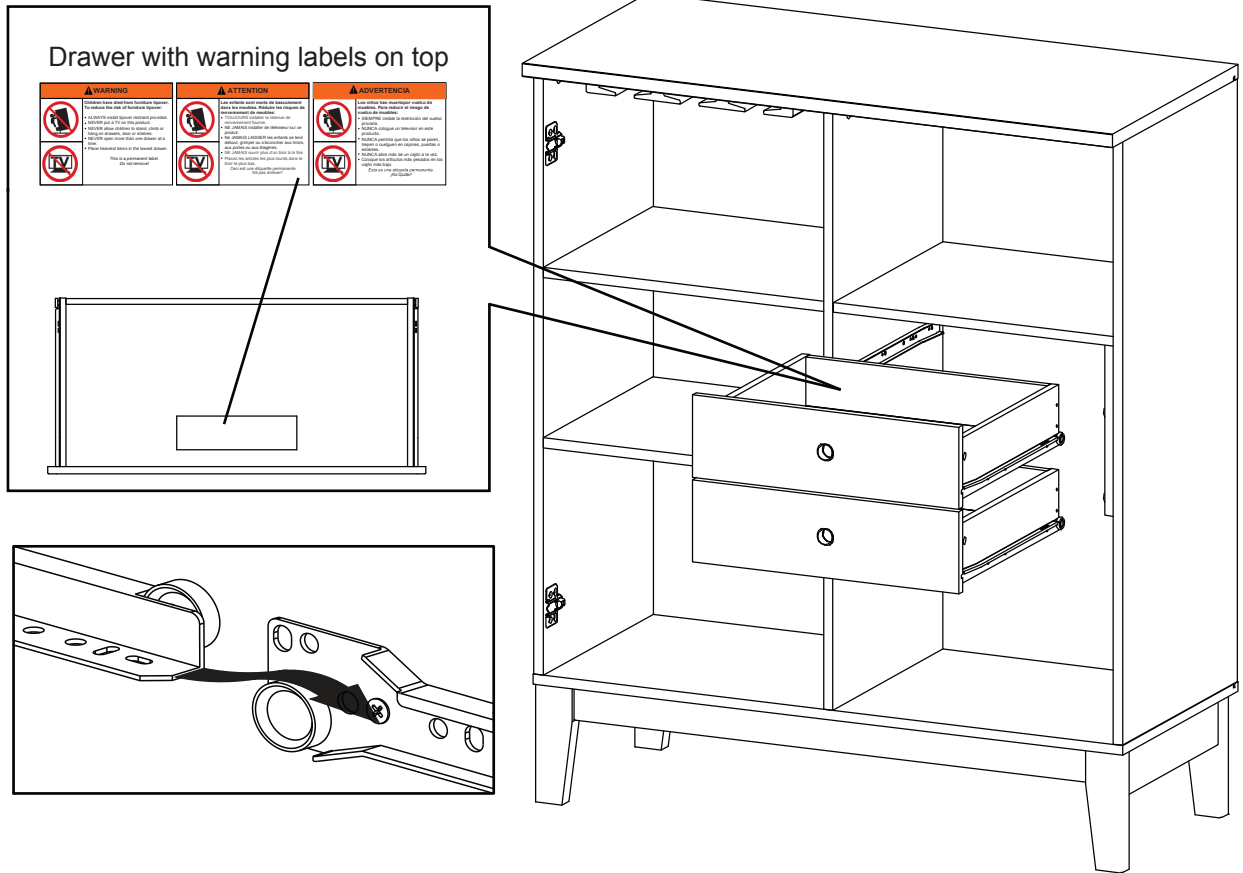
STEP 20:



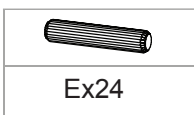
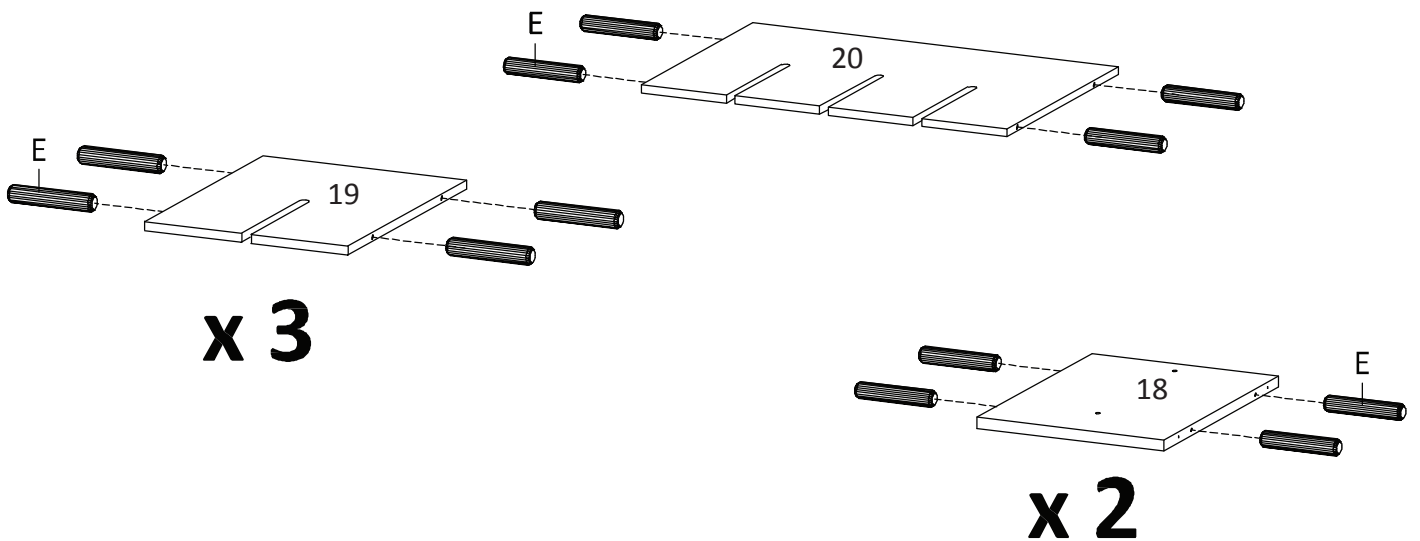
Bx6	Xx1

Hardware required.
Screwdriver not included

STEP 21:

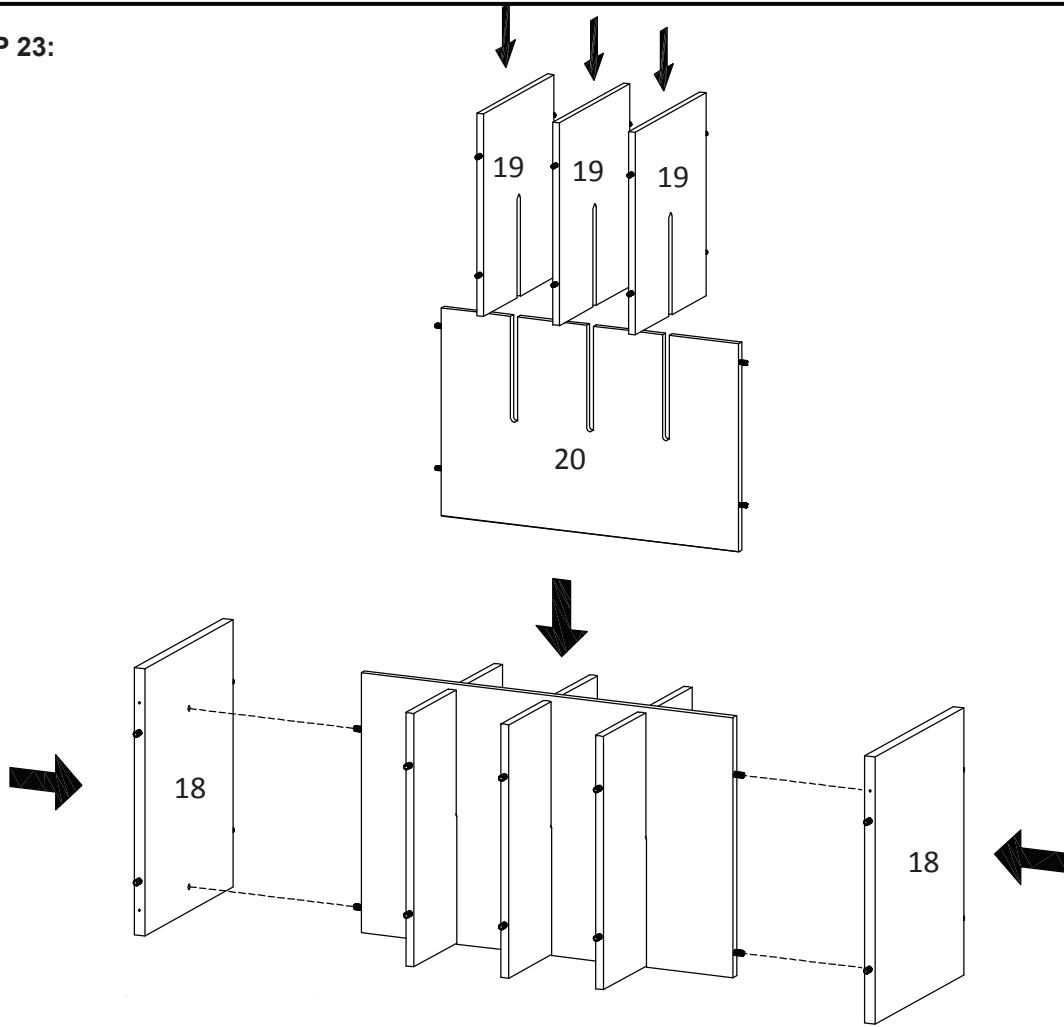


STEP 22:

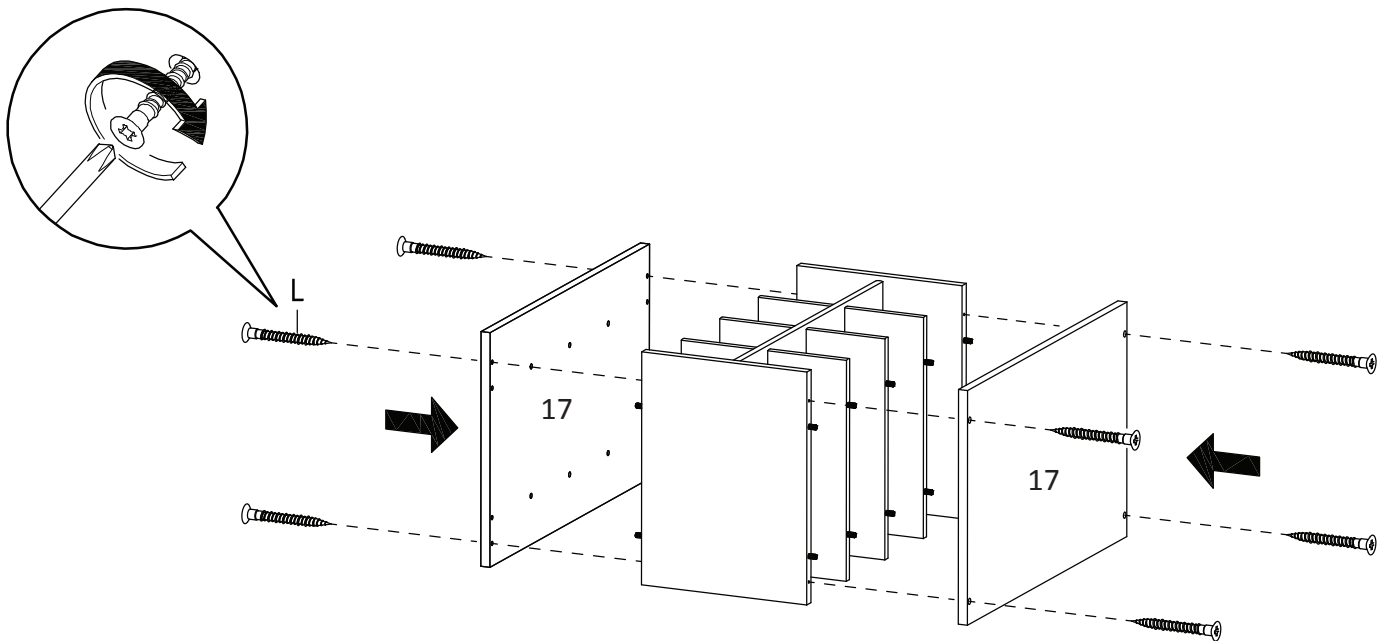




Hardware required.

STEP 23:



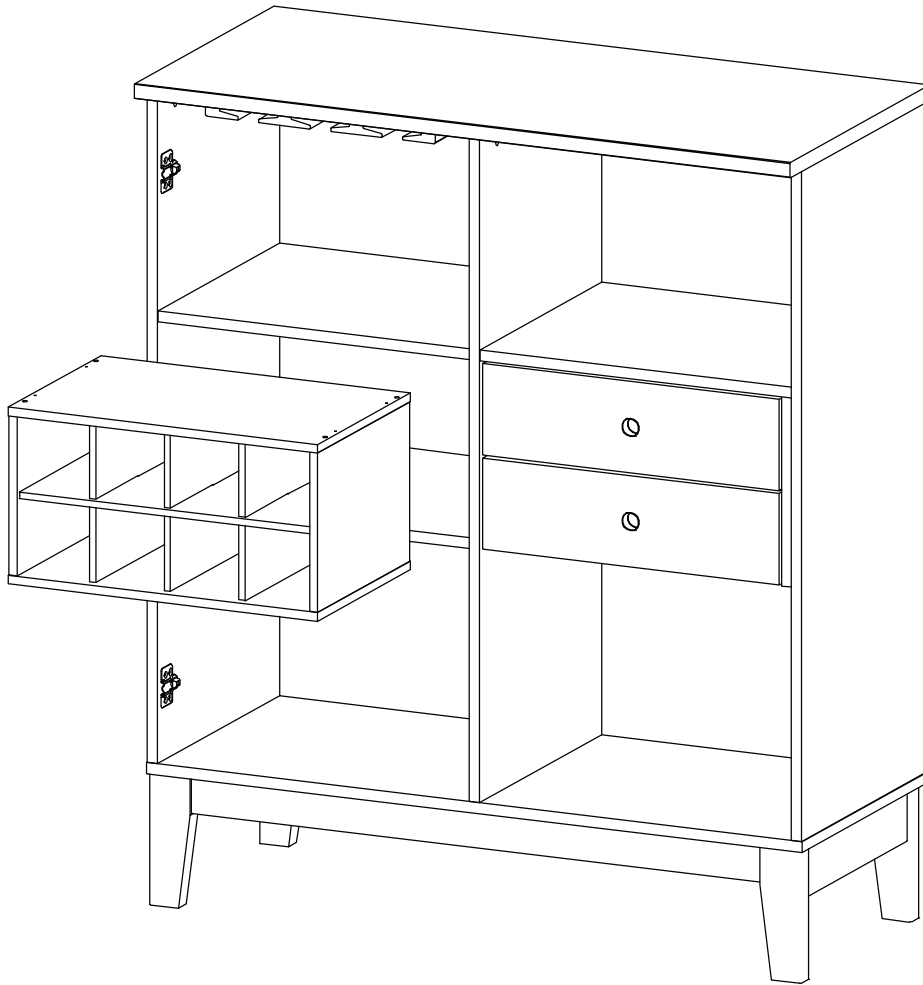
STEP 24:



	
Lx8	Xx1

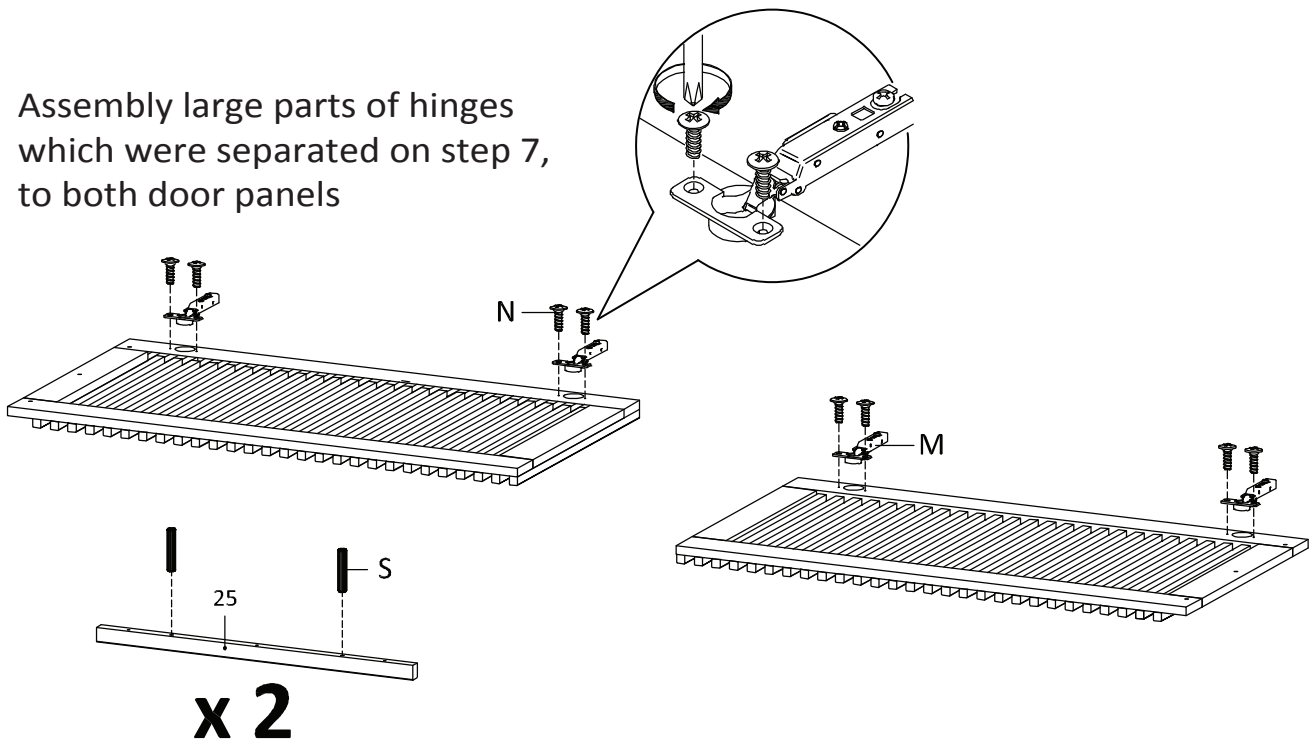
Hardware required.
Screwdriver not included

STEP 25:



STEP 26:

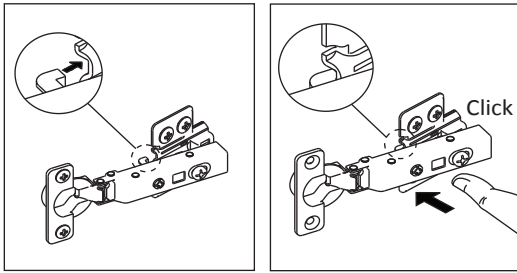
Assembly large parts of hinges which were separated on step 7, to both door panels



Mx4	Nx8	Sx4	Xx1

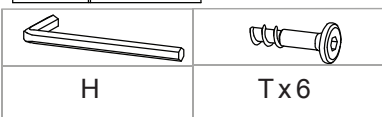
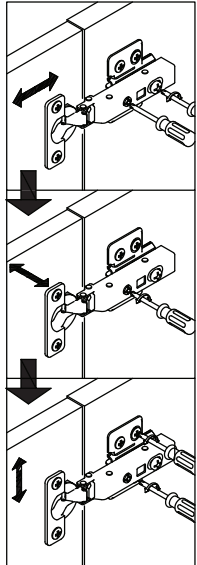
Hardware required.
Screwdriver not included

STEP 27:

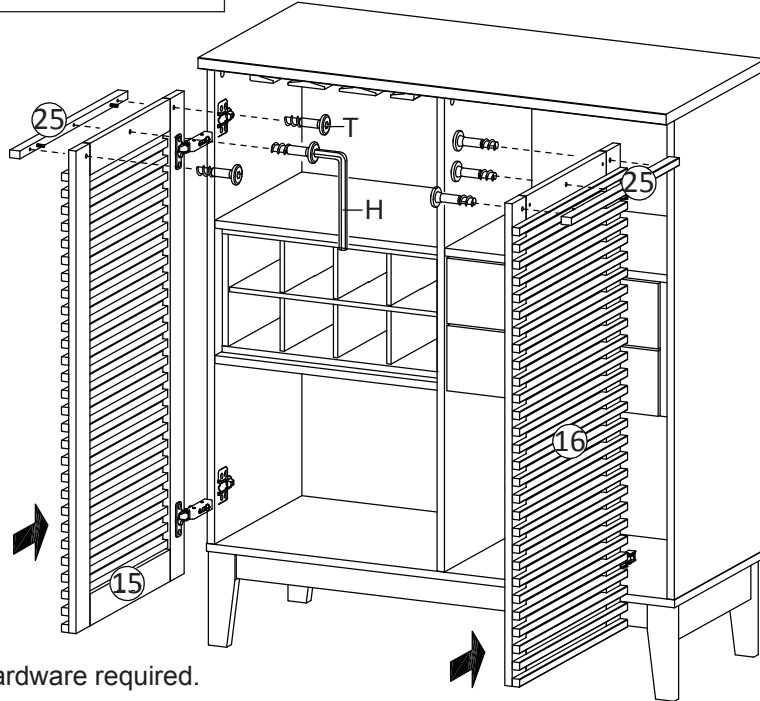


Follow the step to clip on the hinges on doors to hinge on side panels. Continue to assembly handle (25).

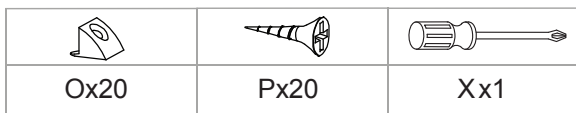
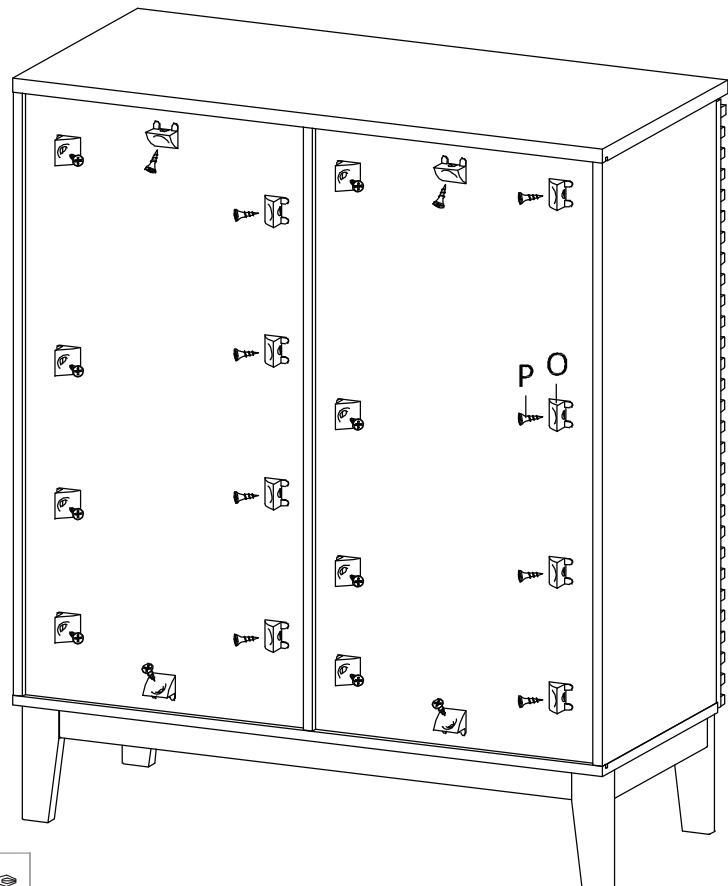
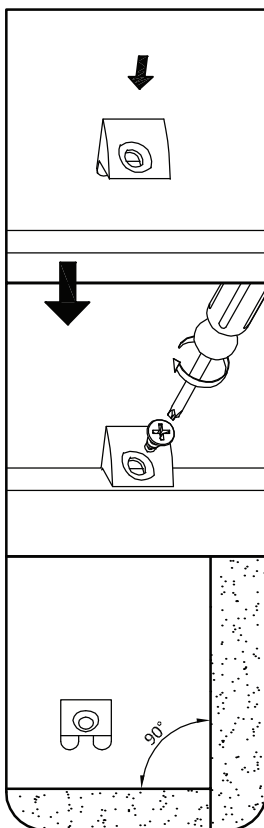
adjust door alignment when necessary.



Hardware required.

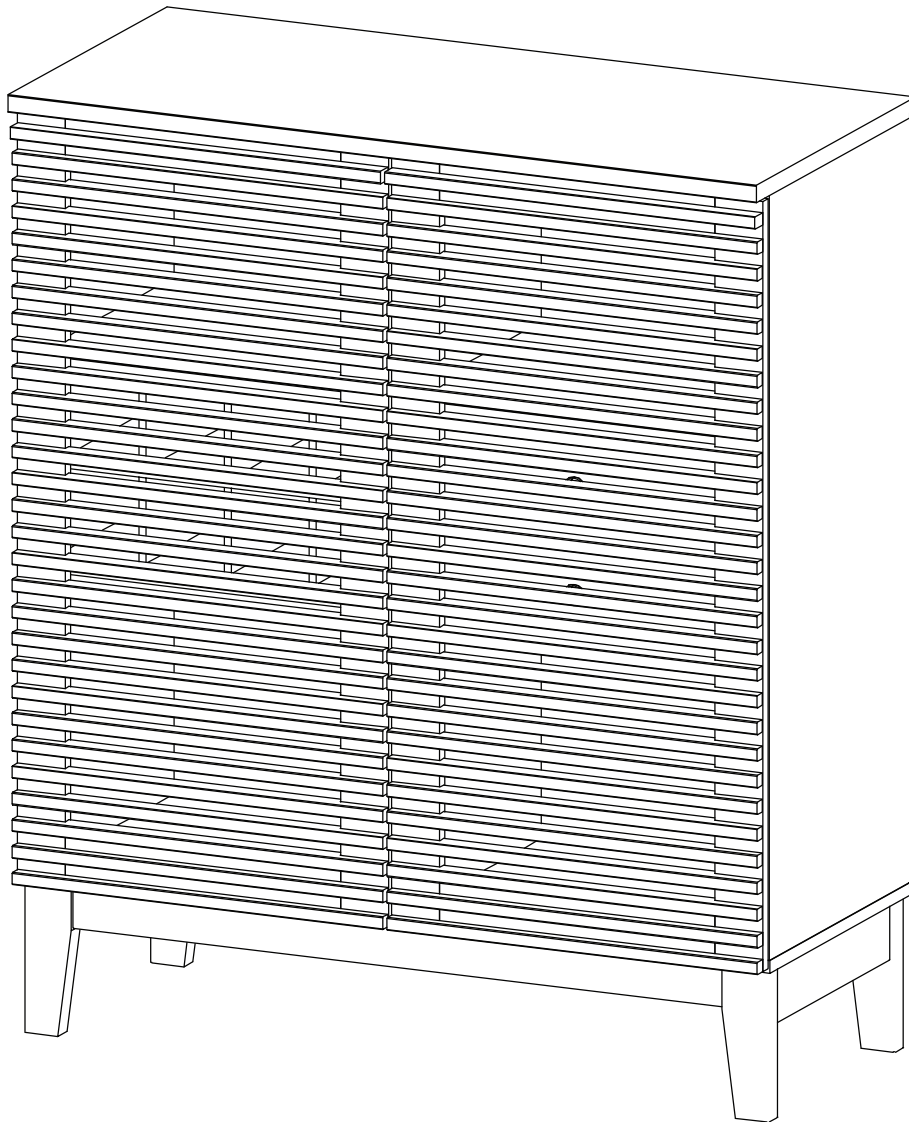


STEP 28:



Hardware required.
Screwdriver not included

STEP 29:



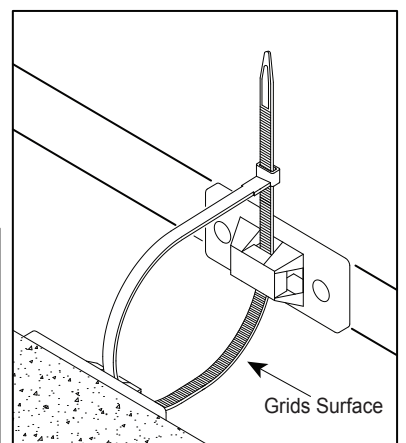
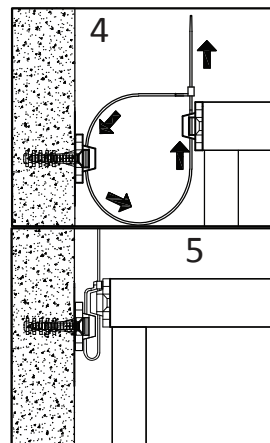
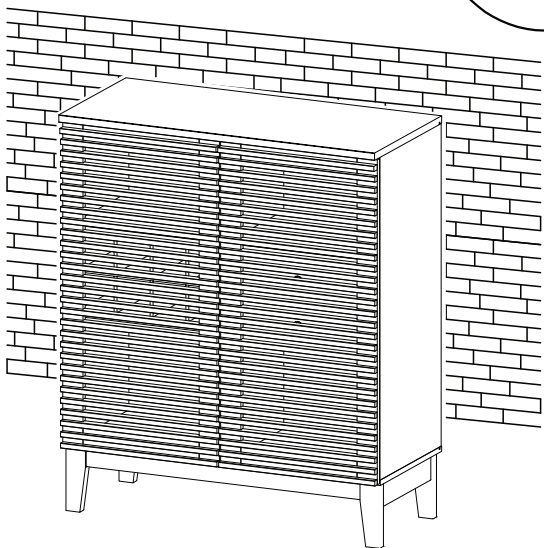
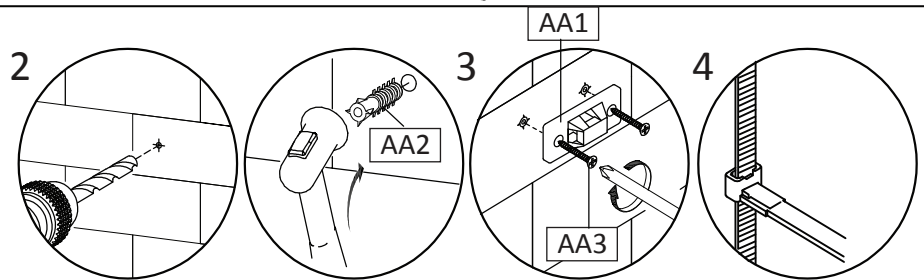
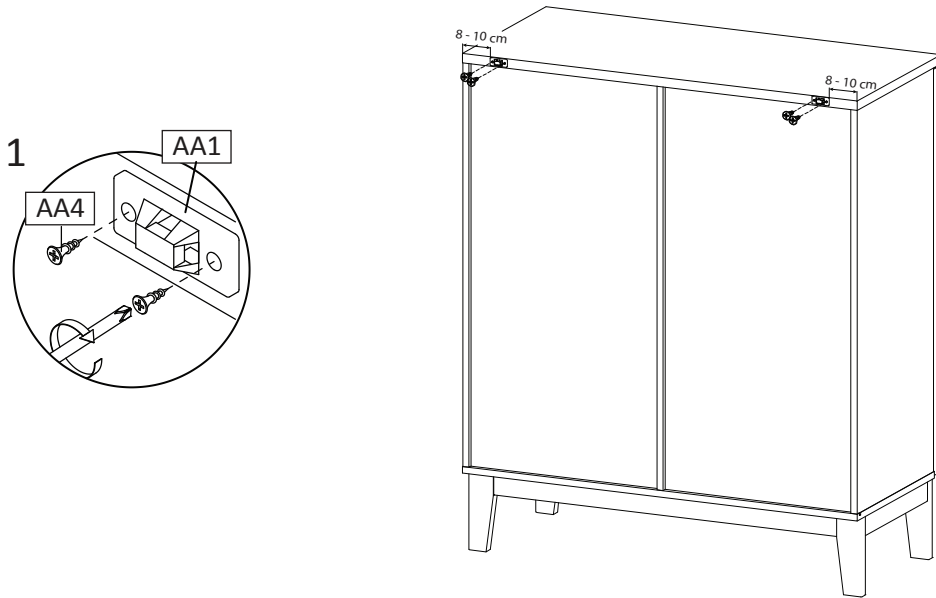
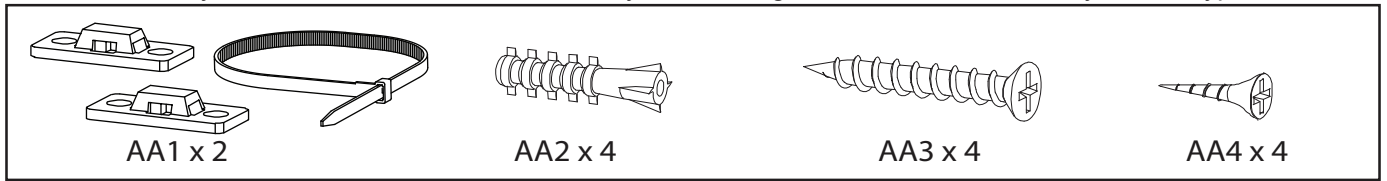
Assembly is complete. The CABINET is ready to enjoy now !

TIPPING RESTRAINTS KIT INSTALLATION GUIDANCE

Different wall materials require unique wall fasteners.

The wall plugs (AA2) and screws (AA3) are designed for fixing to concrete walls only.

Please consult your local hardware store to ensure you are using the correct hardware for your wall type.



Installation Instructions :

1. Attach bracket (AA1) securely to the back top of the furniture using screw (AA4) provided. Allow 8 - 10 cm from each side.
2. Please make a hole for wall plugs position on the wall and minimum 15 mm below bracket secured to the back of unit attach the wall plugs (AA2).
3. Locate the other bracket (AA1) on the wall over wall plugs (AA2). Place furniture into position so both brackets (AA1) are vertically in the line.
4. Lace the end of the restraints strap through the larger hole in each bracket. Ensure the restraints strap with grids surface facing the inner loops. Bring both ends together and slide the flat end through the locking end and draw it through until all slack is removed.
5. Make sure that the strap is securely laced & locked.