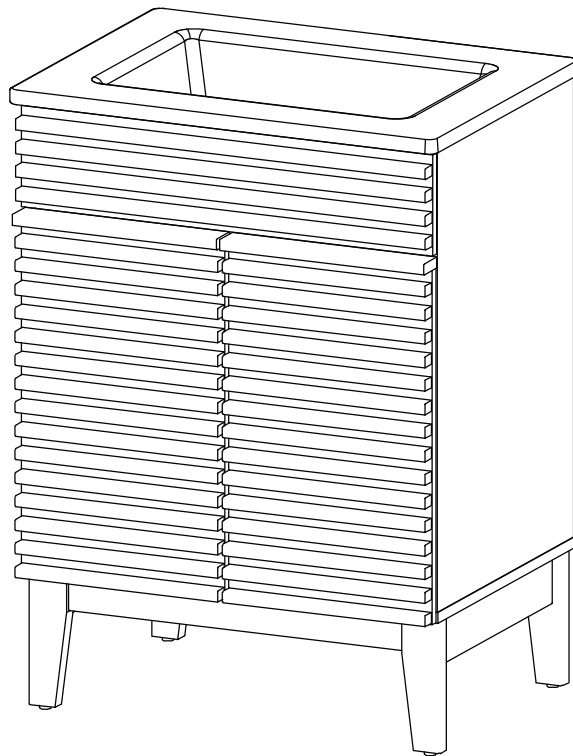


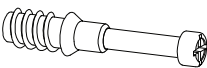

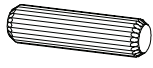
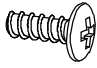

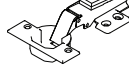
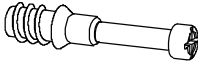
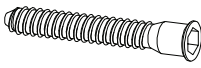




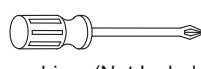
Thank you for purchasing the **MODWAY CABINET!**

Before you start, here are some helpful advice:

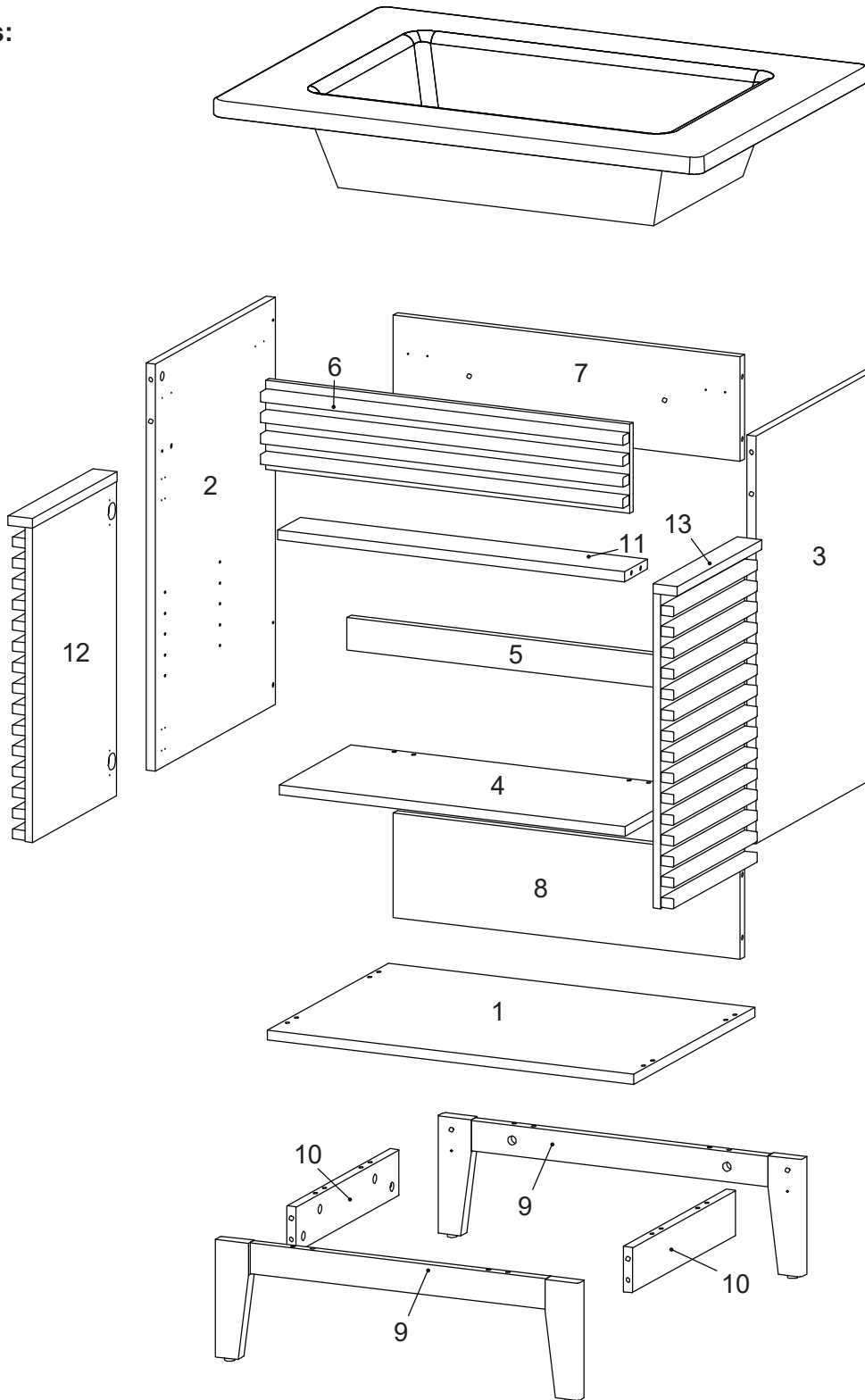
1. We suggest you spend a short time reading through this leaflet and then follow the simple step-by-step instructions.
2. Owing to the size and weight of the Cabinet, we recommend that it is assembled by two adults, on a carpeted or padded area, in the room that it is intended for. Approximate assembly time: 60 minutes.
3. Please do not use any tools other than those provided or recommended in these instructions.
4. Please do not throw away any of the packaging or instructions until you have checked all the components and hardware and the furniture are fully assembled.
5. Assemble all components loosely until advised to tighten. Depending on use, it may be necessary to tighten the components from time to time, so please save the tools that have been provided.
6. Please keep all pieces out of reach of children.



### Hardware :

<b>A) Cambolt/Metal</b>  $\varnothing 6 \times 35 \text{ mm}$ x18	<b>B) Camlock Big/Metal</b>  $\varnothing 15 \text{ mm}$ x20	<b>C) Dowel Big/Wood</b>  $\varnothing 8 \times 30 \text{ mm}$ x 26	<b>D) Screw/Metal</b>  $4.5 \times 12.5 \text{ mm}$ x 40	<b>E) Shelf Support/Metal</b>  x 4
<b>F) Hinge/Metal</b>  $86 \times 52 \times 11 \text{ mm}$ x 4	<b>G) Cambolt/Metal</b>  $\varnothing 6 \times 32 \text{ mm}$ x 2	<b>H) Screw/Metal</b>  $M 7 \times 50 \text{ mm}$ x 6	<b>I) Key/Metal</b>  L 4 x 1	<b>J) Buffer/Rubber</b>  $\varnothing 8 \text{ mm}$ x 2
<b>K) Bracket/Metal</b>  $67 \times 67 \text{ mm}$ x 4	<b>L) Foam Pad/Spons</b>  $25 \times 25 \times 2 \text{ mm}$ x 4	<b>M) Screwdriver (Not Include)</b>  x 1		

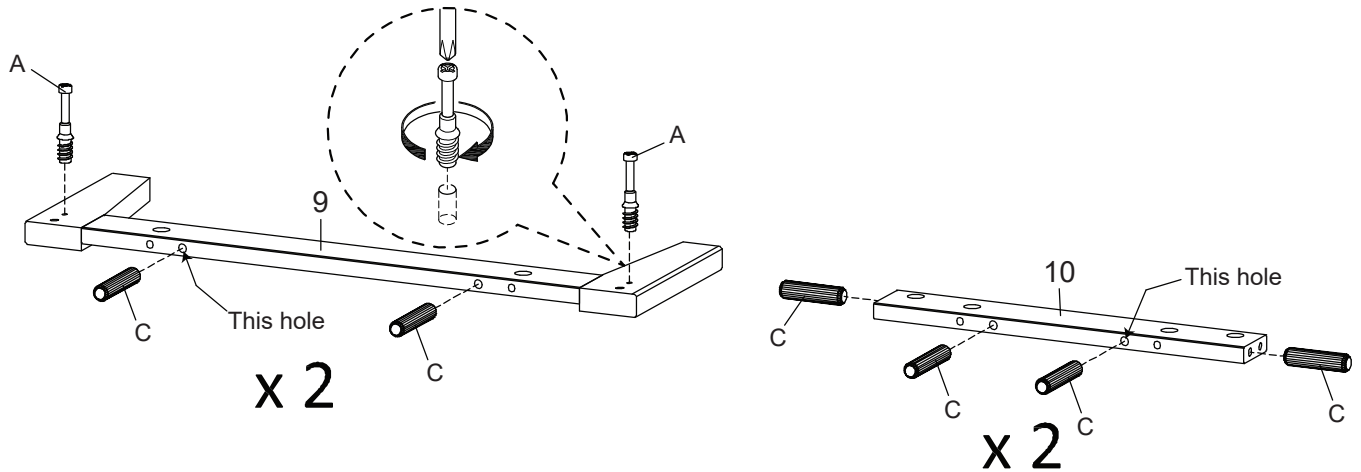
Components:



- |    |                      |    |    |                     |    |    |                   |    |    |                        |    |
|----|----------------------|----|----|---------------------|----|----|-------------------|----|----|------------------------|----|
| 1  | Bottom Panel         | x1 | 2  | Left Side Panel     | x1 | 3  | Right Side Panel  | x1 | 4  | Adjustable Shelf Panel | x1 |
| 5  | Shelf Back Panel     | x1 | 6  | Front Panel         | x1 | 7  | Top Back Rail     | x1 | 8  | Middle Back Rail       | x1 |
| 9  | Front&Back Leg Apron | x2 | 10 | Leg Apron Side Rail | x2 | 11 | Middle Front Rail | x1 | 12 | Left Wooden Door       | x1 |
| 13 | Right Wooden Door    | x1 |    |                     |    |    |                   |    |    |                        |    |

**STEP 1:** Consist of 2 components.

1.1- Lay flat both of the Components #9, Properly insert and slowly screw in the **Cambolt (A)** to the lower portion of the pre-drilled holes at both ends of the **Leg Apron**.



1.2- Insert 2pcs of **Wooden Dowel** to the pre-drilled holes on both of the **Front & Back Leg Apron (9)** top edges, ensure each dowel inserted is in the inner side of the pre-drilled hole.

1.3- Insert 4pcs of **Wooden Dowel** to the pre-drilled holes on both of the **Leg Apron Side Rail (10)** ends and top edges, ensure each dowel inserted is in the inner side of the pre-drilled hole.

Ax4	Cx12	Mx1

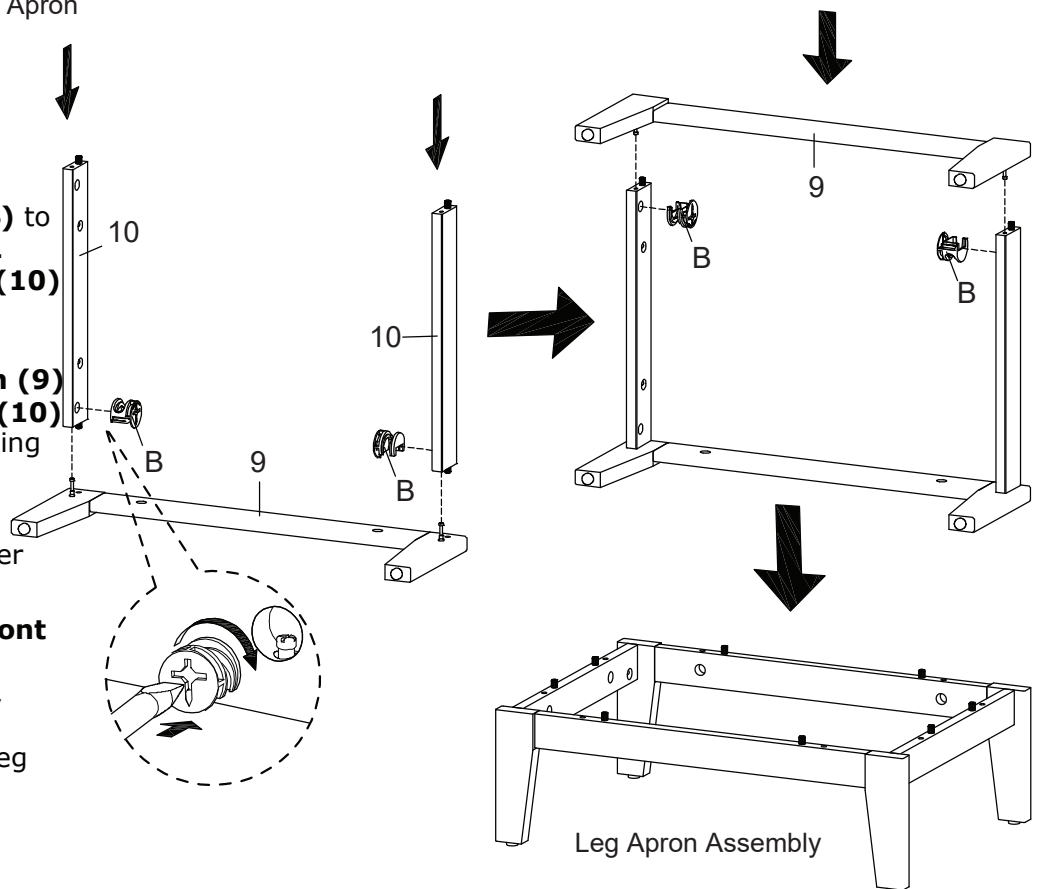
Hardware required. Screwdriver not included

**STEP 2:** To assemble the leg Apron

2.1- Insert 4 pcs of **Camlock (B)** to the designated pre-drilled holes. Align the **Leg Apron Side Rail (10)** with the already inserted **Wooden Dowel (C)** to the **Front & Back Leg Apron (9)**. Push the **Leg Apron Side Rail (10)** and secure both parts by tightening the **Camlock (B)**.

2.2 - Repeat step 2.1 to the other side rail.

2.3 - Properly align the loose **Front & Back Leg Apron (9)** to the assembly completed in step 2.2, and secured the rest of the **Camlock (B)** to complete the Leg Apron assembly.

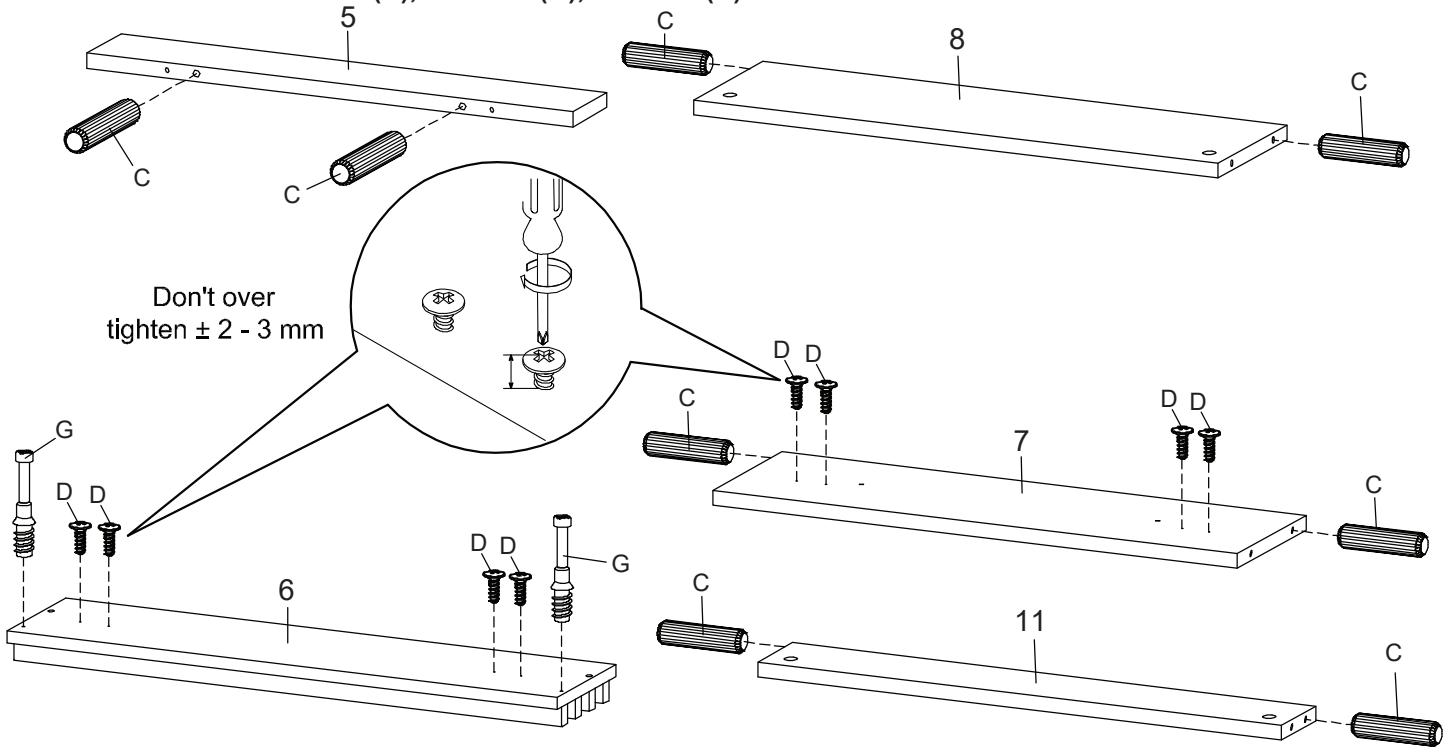


Refer to Step 9

Bx4	Mx1

Hardware required. Screwdriver not included

**STEP 3: Pre-insert Dowel (C), Cambolt (G), & Screw (D)**

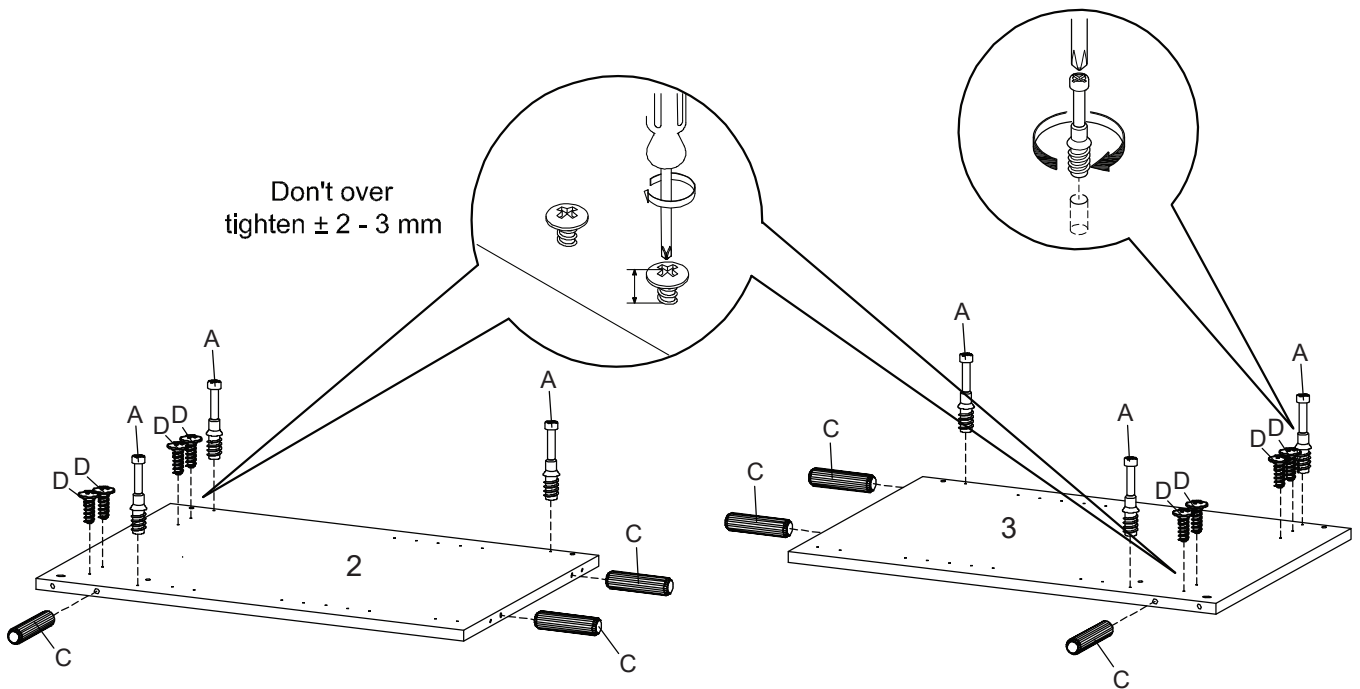


Carefully insert all hardware as mentioned in the list to the respective components as shown.

Gx2	Cx8	Dx8	Mx1

Hardware required. Screwdriver not included

**STEP 4: Pre-insert Dowel (C), Cambolt (A), & Screw (D)**

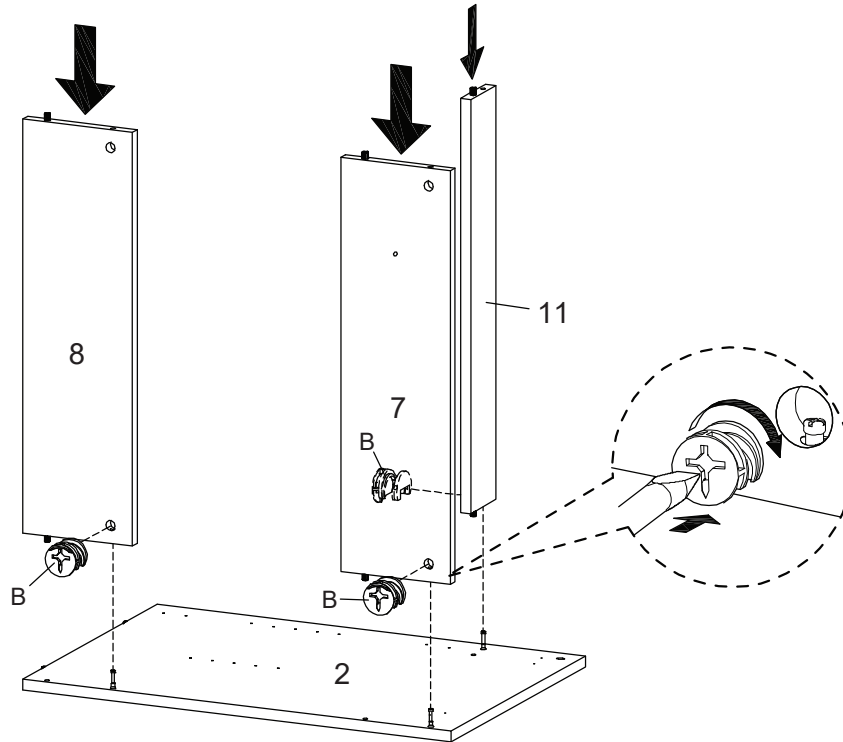


Carefully insert all hardware as mentioned in the list to the respective components as shown.

Ax6	Cx6	Dx8	Mx1

Hardware required. Screwdriver not included

**STEP 5:** Securing **Middle Back Rail (8)**, **Top Back Rail (7)**, & **Middle Front Rail (11)** to the **Left Side Panel (2)**

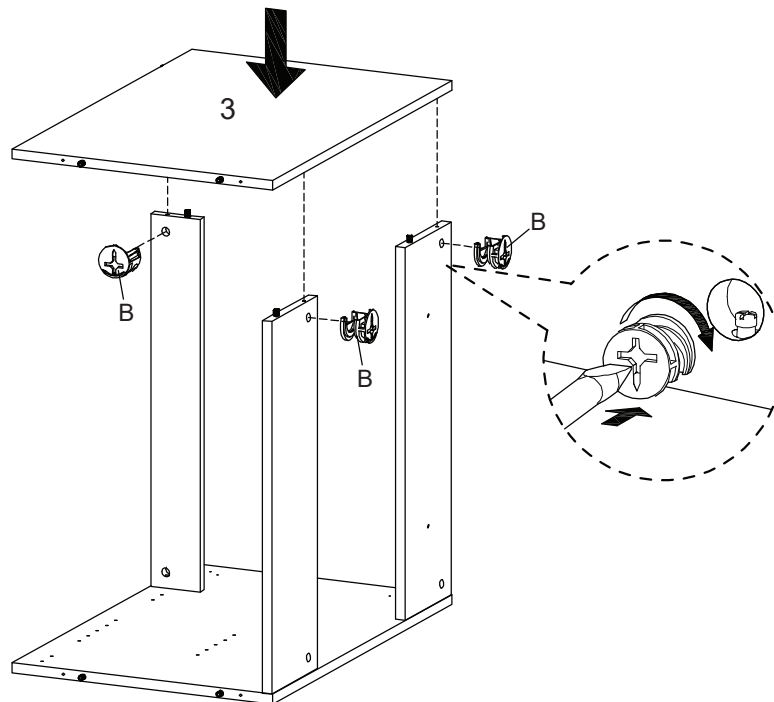


Carefully insert the **Camlock (B)** to secure all Rails to the **Left Side Panel (2)**.

Bx3	Mx1

Hardware required. Screwdriver not included

**STEP 6:** Securing **Middle Back Rail (8)**, **Top Back Rail (7)**, & **Middle Front Rail (11)** to the **Right Side Panel (3)**



Carefully insert the **Camlock (B)** to the pre-assembled Rails and carefully align the **Right Side Panel (3)** and secure the Panel by tightening all inserted **Camlocks (B)** .

Bx3	Mx1

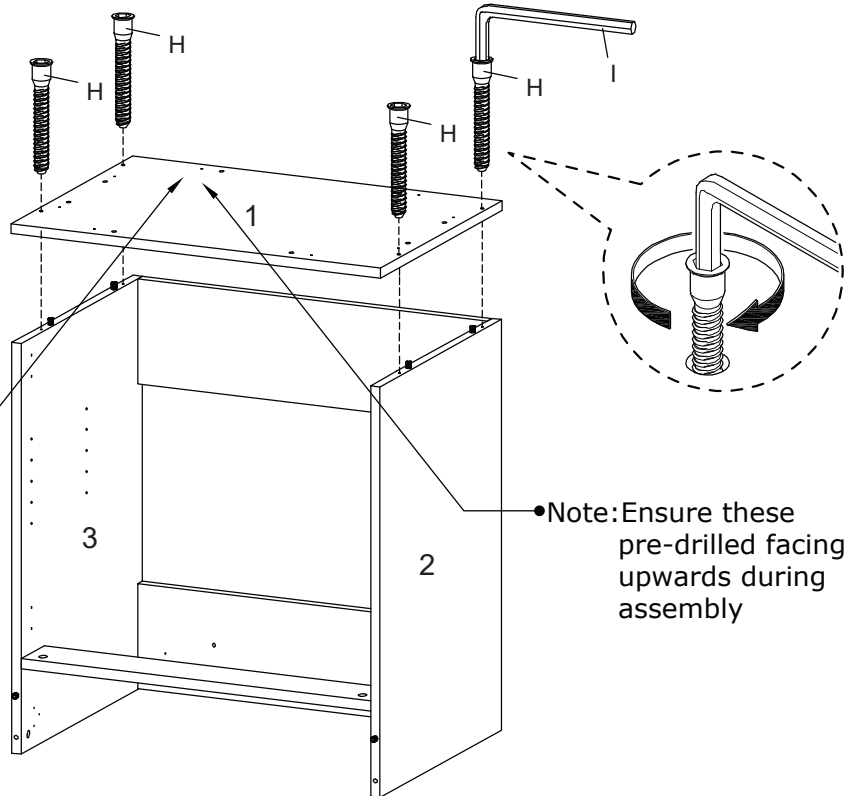
Hardware required. Screwdriver not included

**STEP 7: Securing the Bottom Panel (1)**

7.1- Due to unstable structure, carefully place the assembly from **STEP 6** with flat edges (without dowel edges) facing down onto flat surface.

7.2- Carefully align the **Bottom Panel (1)** pre-drilled holes to the pre-assembled Dowel on both of the **Side Panels (Left & Right)** edges, and secure it by tightening 4 nos of **Hex Screws (H)** with the provided **Allen Key (I)**.

Note: Ensure these pre-drilled holes are facing upwards during assembly.

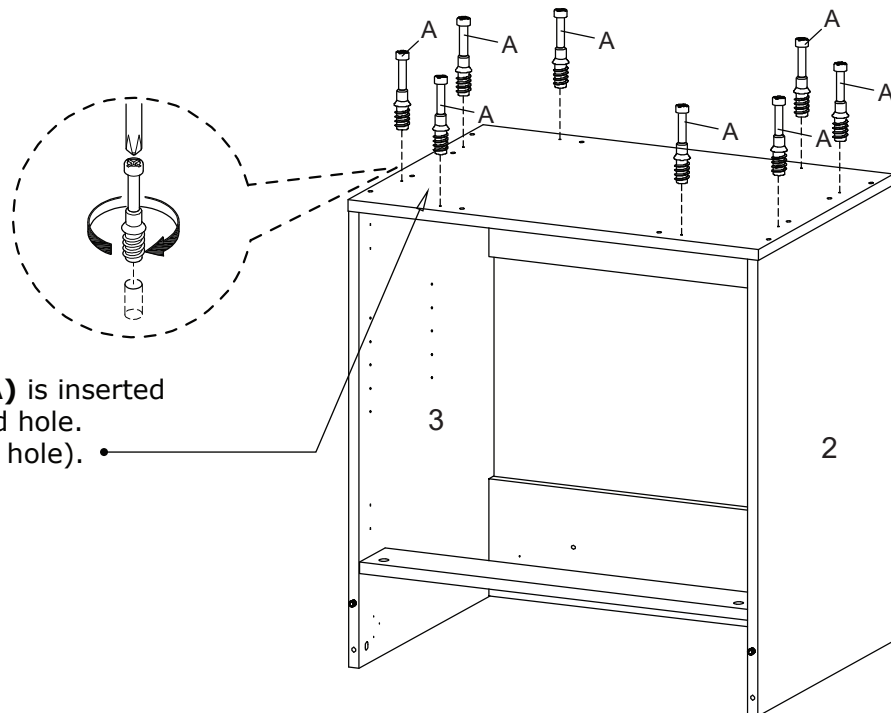


Hx4	I x1

Hardware and Tool required

**STEP 8: Pre-inserted Cambolt (A) to anchor Leg Assembly (completed in Step 2)**

Ensure the **Cambolt (A)** is inserted in the correct pre-drilled hole. (The smaller pre-drilled hole).



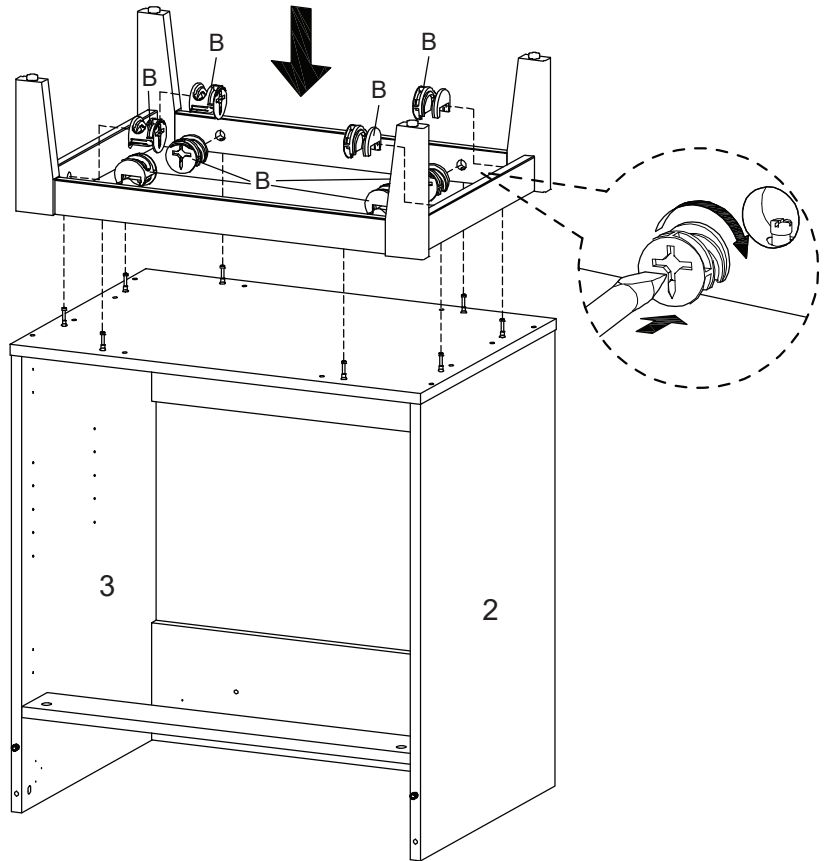
Carefully insert the **Cambolt (A)** to the pre-drilled holes.

Ax8	Mx1

Hardware required. Screwdriver not included

**STEP 9:** Securing the Leg Apron completed in (Step2) to the main cabinet structure.

Carefully place the **Leg Apron** assembly to the cabinet structure and tighten the **Camlock (B)** to secure both structures.



Bx8	Mx1

Hardware required. Screwdriver not included

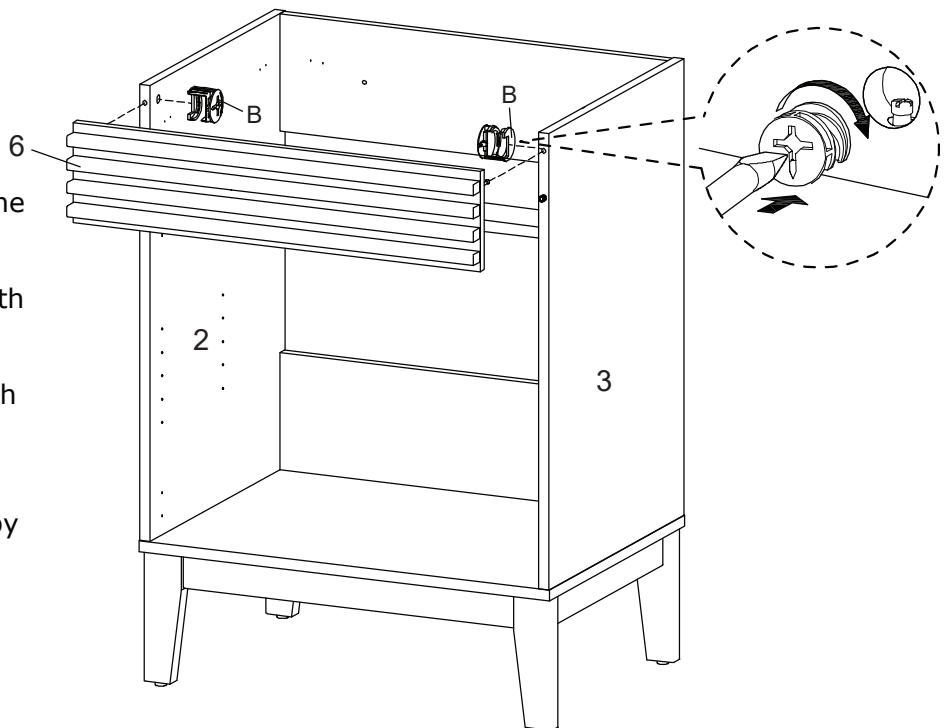
**STEP 10:** Pre-inserted **Cambolt (A)** to Anchor the Leg Assembly (completed in Step 2)

10.1- From **STEP 9**, carefully turn the Cabinet with Leg Apron upright.

10.2- Insert the **Camlock (B)** to both **Side Panels (2 & 3)**

10.3- Align the **Front Panel (6)** with protruded **Cambolt (A)** to the **Side Panel (2 & 3)** edges.

10.4- Secure the **Front Panel (6)** by tightening the **Camlock (B)**.



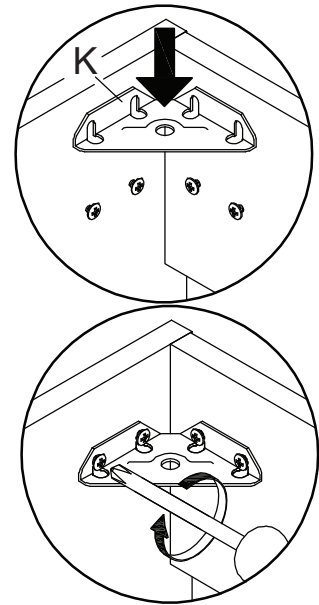
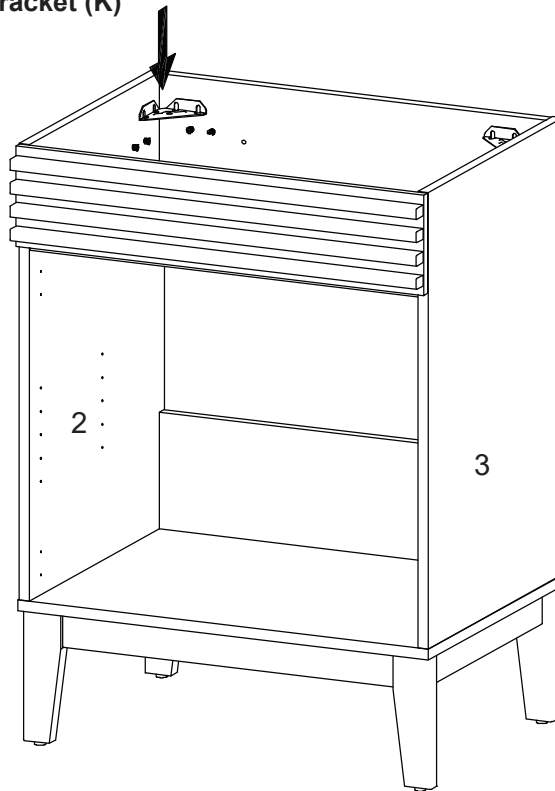
Bx2	Mx1

Hardware required. Screwdriver not included

**STEP 11: Securing the Corner Bracket (K)**

11.1- Place the **Corner Bracket (K)** at the protruded **Screw (D)** on both **Side Panel (2&3)** and **Top Back Rail (7)**. Continue to place it on another 3 corners.

11.2- Carefully tighten all protruded **Screws (D)**.

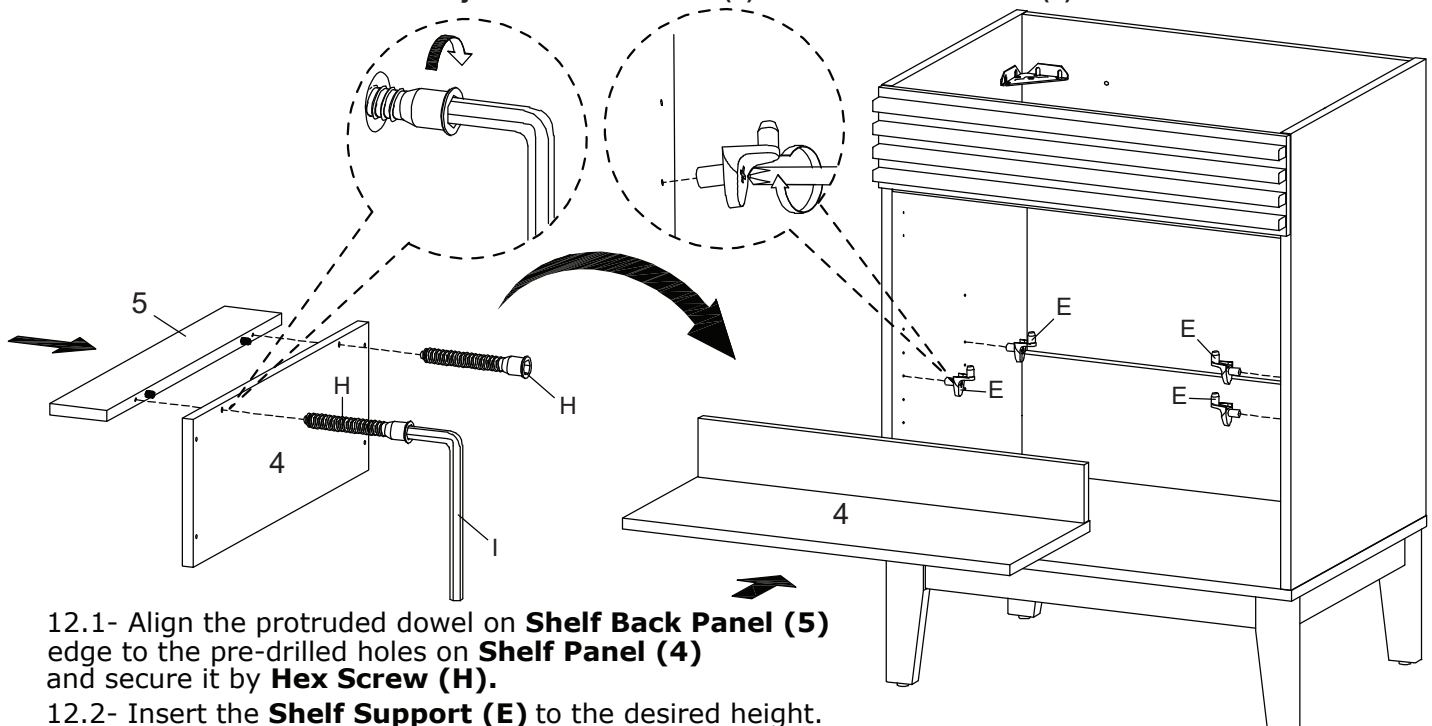


**NOTE :**  
Tighten all the screw

Kx4	Mx1

Hardware required. Screwdriver not included

**STEP 12: To assemble the Adjustable Shelf Panel (4) and Shelf Back Panel (5)**



12.1- Align the protruded dowel on **Shelf Back Panel (5)** edge to the pre-drilled holes on **Shelf Panel (4)** and secure it by **Hex Screw (H)**.

12.2- Insert the **Shelf Support (E)** to the desired height.

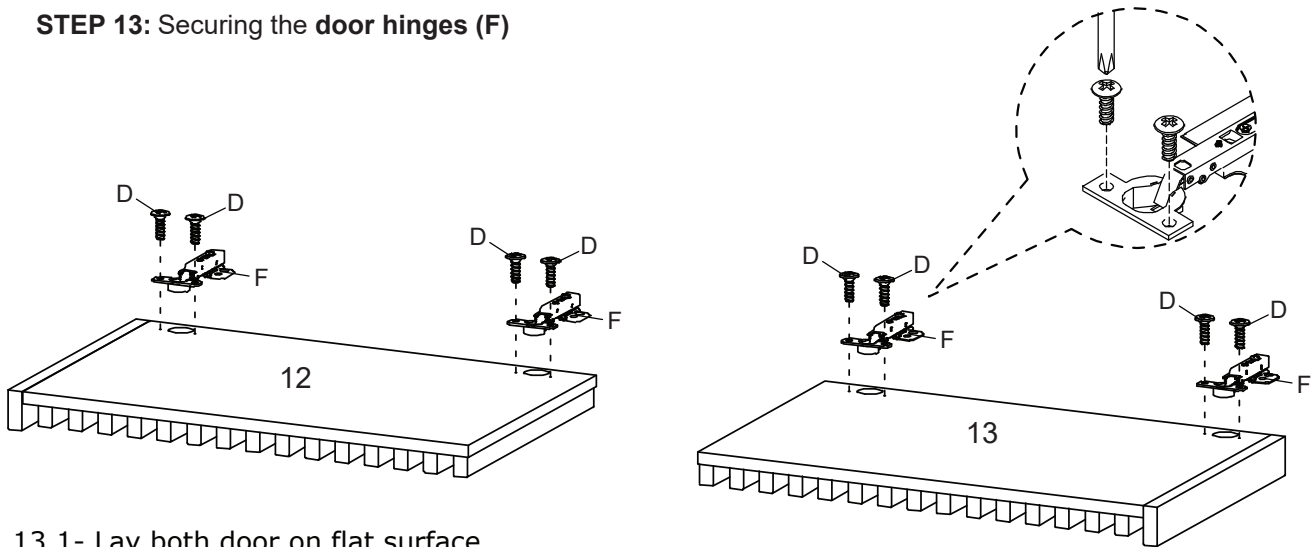
12.3- Carefully place the pre-drilled holes underneath the **Shelf Panel (4)** to the inserted **Shelf Support (E)**

Hx2	I x	Ex4	Mx1

Hardware required. Screwdriver not included



## STEP 13: Securing the door hinges (F)

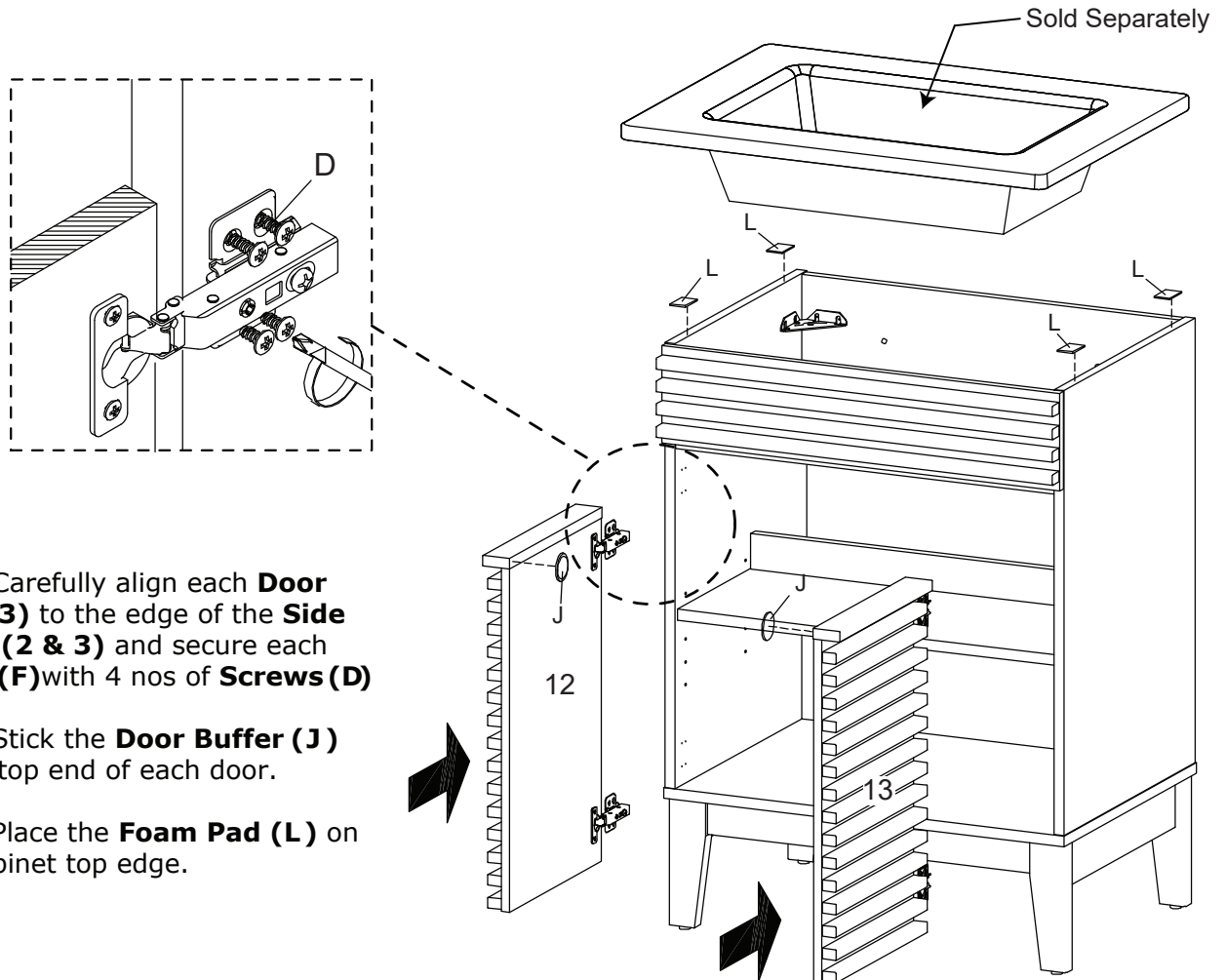


- 13.1- Lay both door on flat surface.
- 13.2- Place the **Hinge (F)** on each of the pre-cut cup. ( 2 cups on each door).
- 13.3- Secure each **Hinge (F)** with 2 nos of **Screws(D)**.

Fx4	Dx8	Mx1

Hardware required. Screwdriver not included

## STEP 14: Securing the Left & Right Door (12&13)



- 14.1- Carefully align each **Door (12/13)** to the edge of the **Side Panel (2 & 3)** and secure each **Hinge (F)** with 4 nos of **Screws (D)**

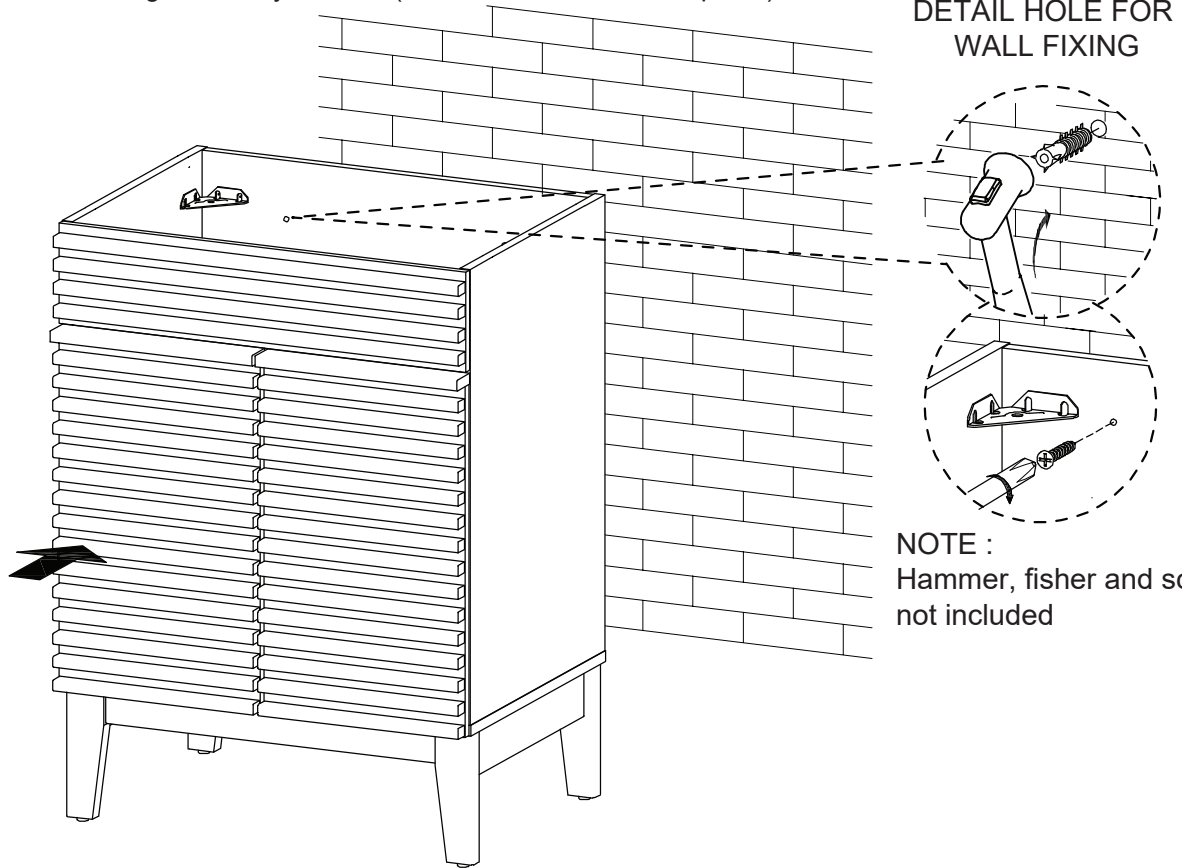
- 14.2- Stick the **Door Buffer (J)** to the top end of each door.

- 14.3- Place the **Foam Pad (L)** on the cabinet top edge.

Dx16	L x4	J x2	Mx1

Hardware required. Screwdriver not included

**STEP 15: Securing the Vanity Cabinet (Professional Installer Required)**



- 15.1- Using spirit / water levelling tool, adjust the Cabinet level by adjusting the leg leveler.
- 15.2- Based on type of Wall structure, drill the holes and secure the Vanity Cabinet.

**STEP 16: Assembly is complete and ready for sink installation.**

