

Thank you for purchasing the **MODWAY Dining Table**.

Before you start, here are some helpful advice:

1. We suggest you spend a short time reading through this leaflet and then follow the simple step-by-step instructions.
2. Owing to the size and weight of the Dining Table, we recommend that it is assembled by two adults, on a carpeted or padded area, in the room that it is intended for. Approximate assembly time: 45 minutes.
3. Please do not use any tools other than those provided or recommended in these instructions.
4. Please do not throw away any of the packaging or the instruction until you have checked all the components and hardware and the furniture is fully assembled. Please ensure that the packaging is disposed of in a safe and environmentally friendly way.
5. Assemble all components loosely until advised to tighten. Depending on use, it may be necessary to tighten the components from time to time, so please save the tools that have been provided.
6. Please keep all pieces out of reach of children.

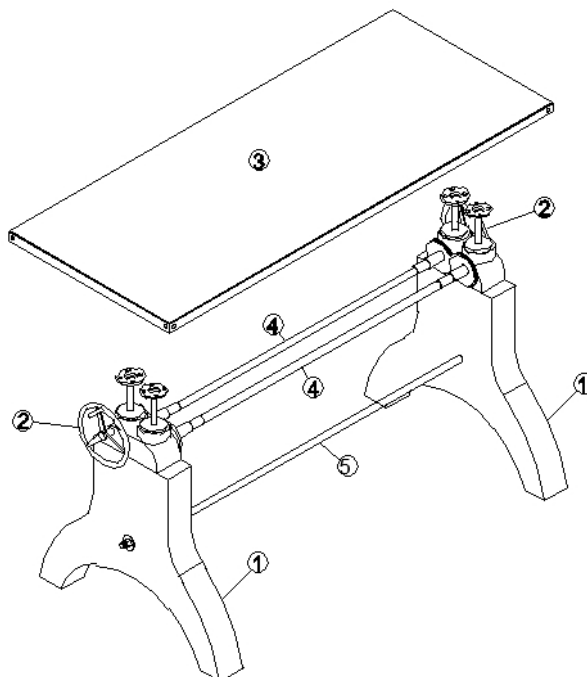


Hardware:

- | | | | |
|----|--|--------------------|-----|
| A. | | Bolt M8x30mm | x16 |
| B. | | Bolt M6x15mm | x2 |
| C. | | Small Flat Washer | x18 |
| D. | | Big Flat Washer | x4 |
| E. | | Allen Wrench M8 | x1 |
| F. | | Allen Wrench M6 | x1 |
| G. | | Big Nut | x2 |
| H. | | Adjustable Spanner | x1 |

*** Not include hardware bag**

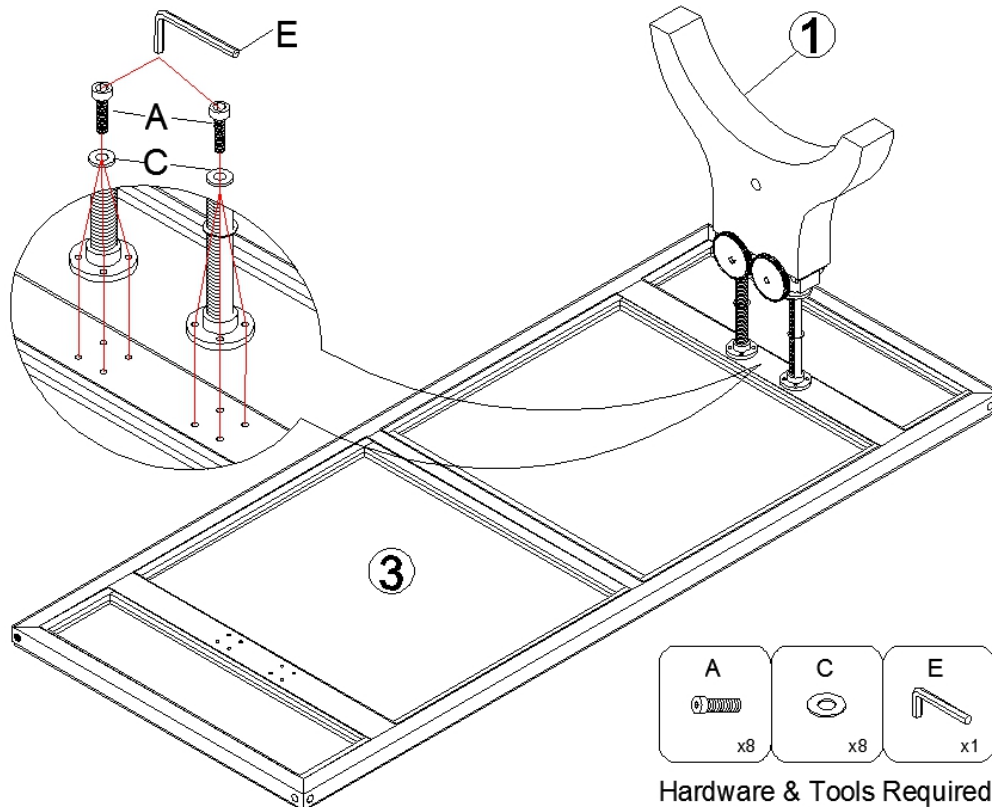
Components:



1. Leg x2 2. Handle x2 3. Top Panel x1 4. Upper Rail x2 5. Bottom Support x1

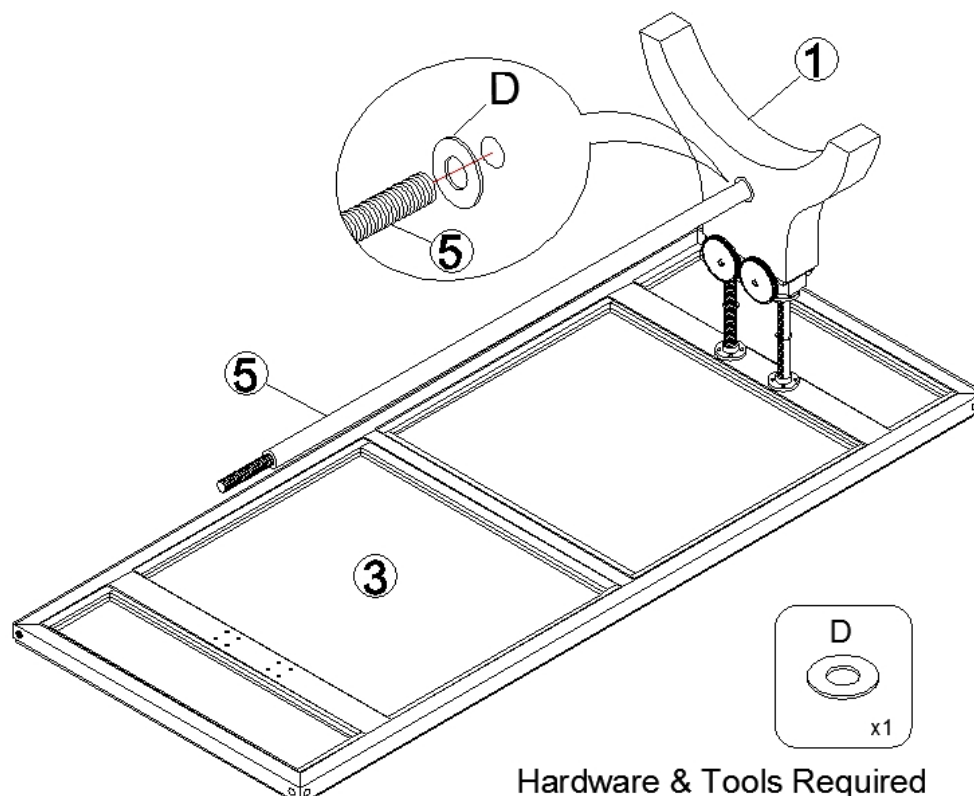
STEP 1:

1. Please put **Top Panel (3)** upside down on a carpeted or padded surface.
2. Attach 1 piece of **Leg (1)** to the **Top Panel (3)** by using 8 pieces of **Bolts (A)** and 8 pieces of **Small Flat Washers (C)** as shown.
3. Tighten **Bolts (A)** by using **Allen Wrench (E)** as shown. Don't tight **Bolts (A)** fully.



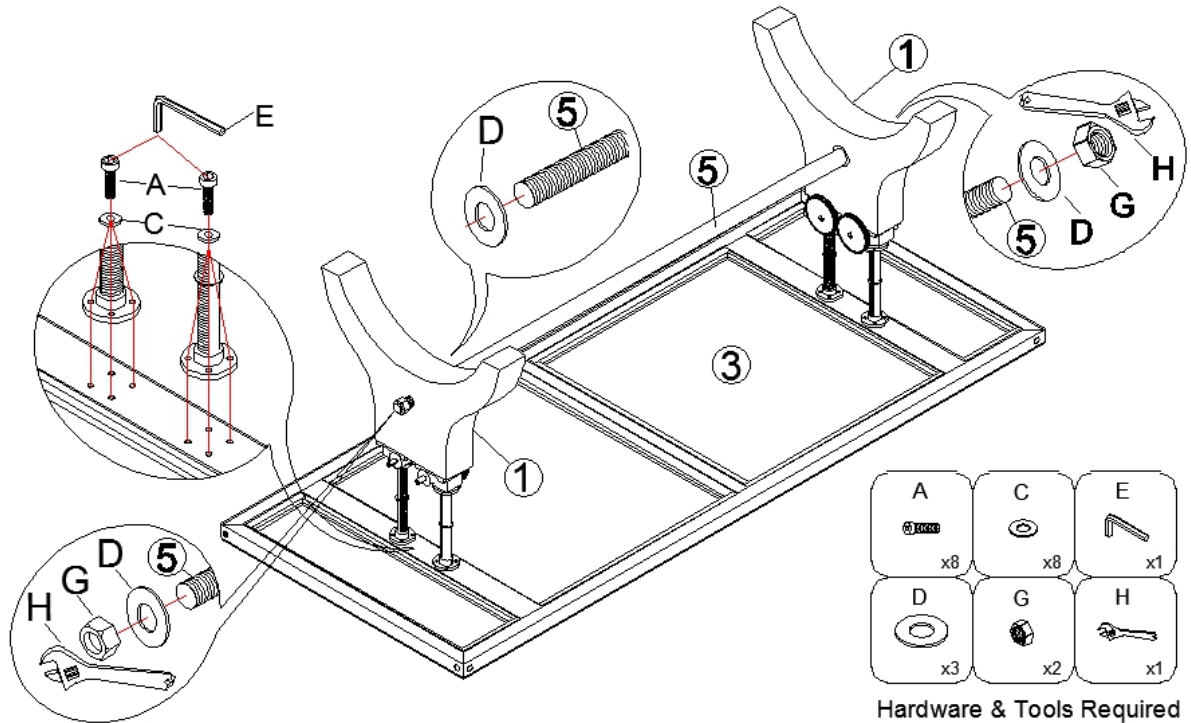
STEP 2:

- Please insert **Bottom Support (5)** into the pre-drilled holes in **Leg (1)** with 1 piece of **Big Flat Washer (D)** as shown.



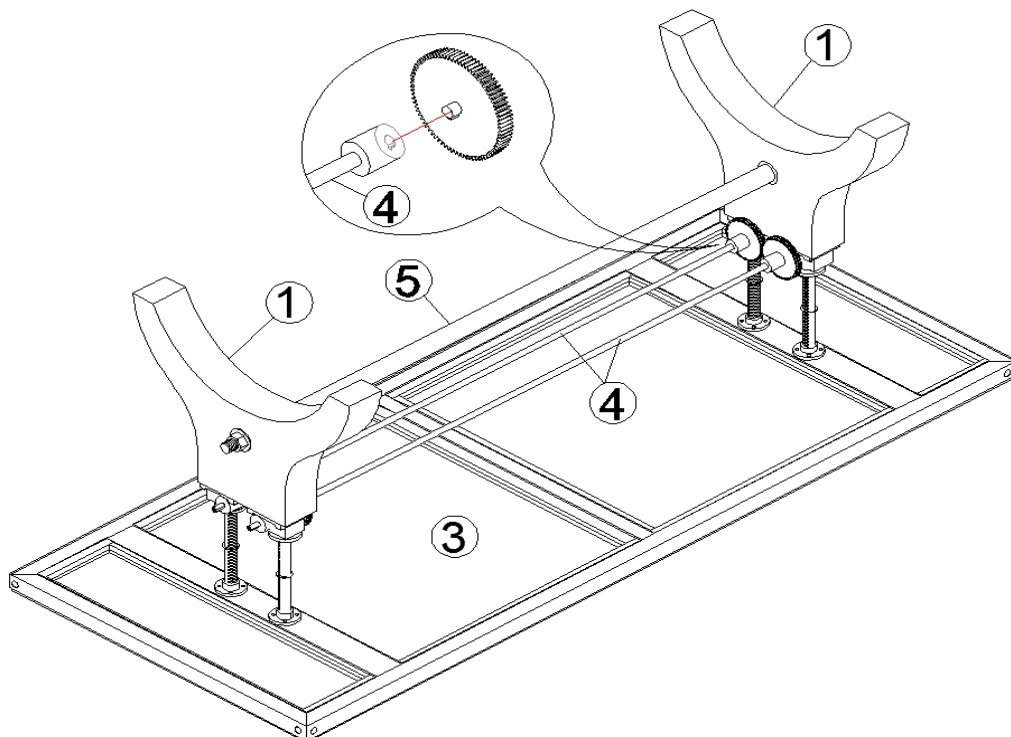
STEP 3:

1. Repeat **STEP 1** to assemble the other 1 piece of **Leg (1)** to **Top Panel (3)** as shown.
2. Attach 2 piece of **Big Nuts (G)** and 2 piece of **Big Flat Washers (D)** to the two ends of **Bottom Support (5)** as shown.
3. Use **Adjustable Spanner (H)** to tighten **Big Nuts (G)** as shown. Don't tight **Big Nuts (G)** fully.



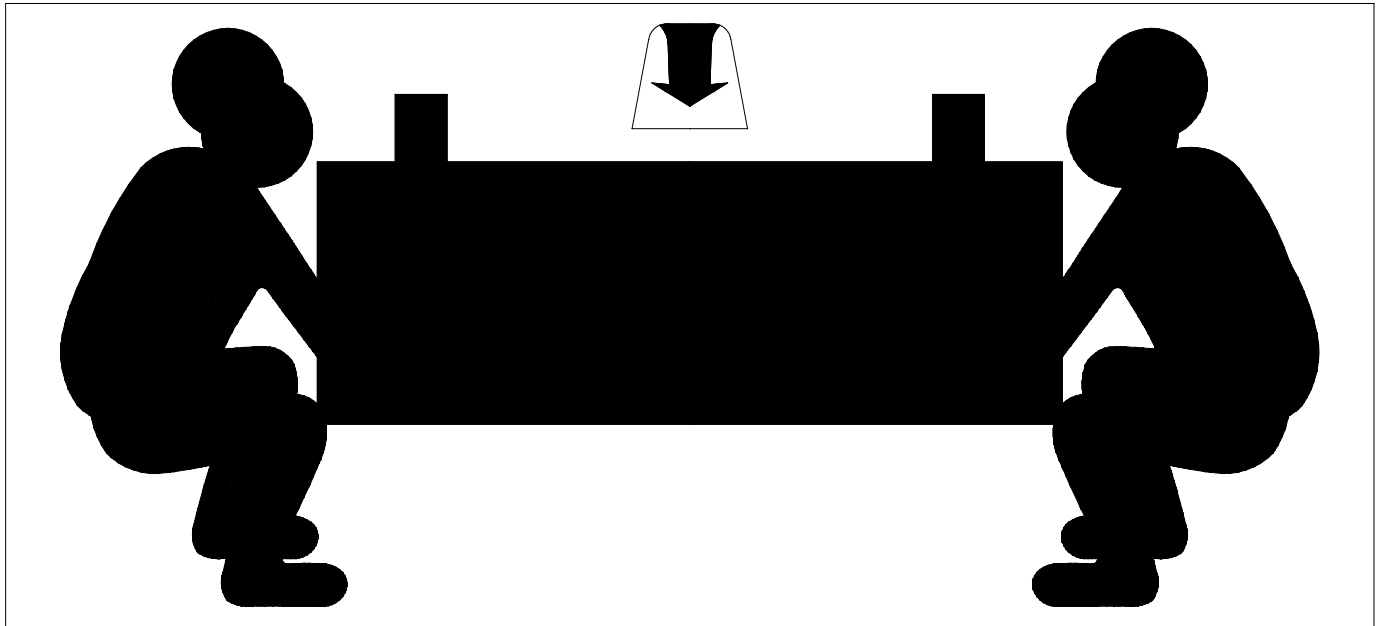
STEP 4:

1. Please insert 2 pieces of **Upper Rails (4)** into the pre-drilled holes on **Legs (1)** by the convex slot as shown by two adults.
2. When **Legs (1)**, **Top Panel (3)**, **Upper Rails (4)** and **Bottom Support (5)** are fixed, please fully tighten all **Big Nut (G)** and **Bolt (A)**.



STEP 5:

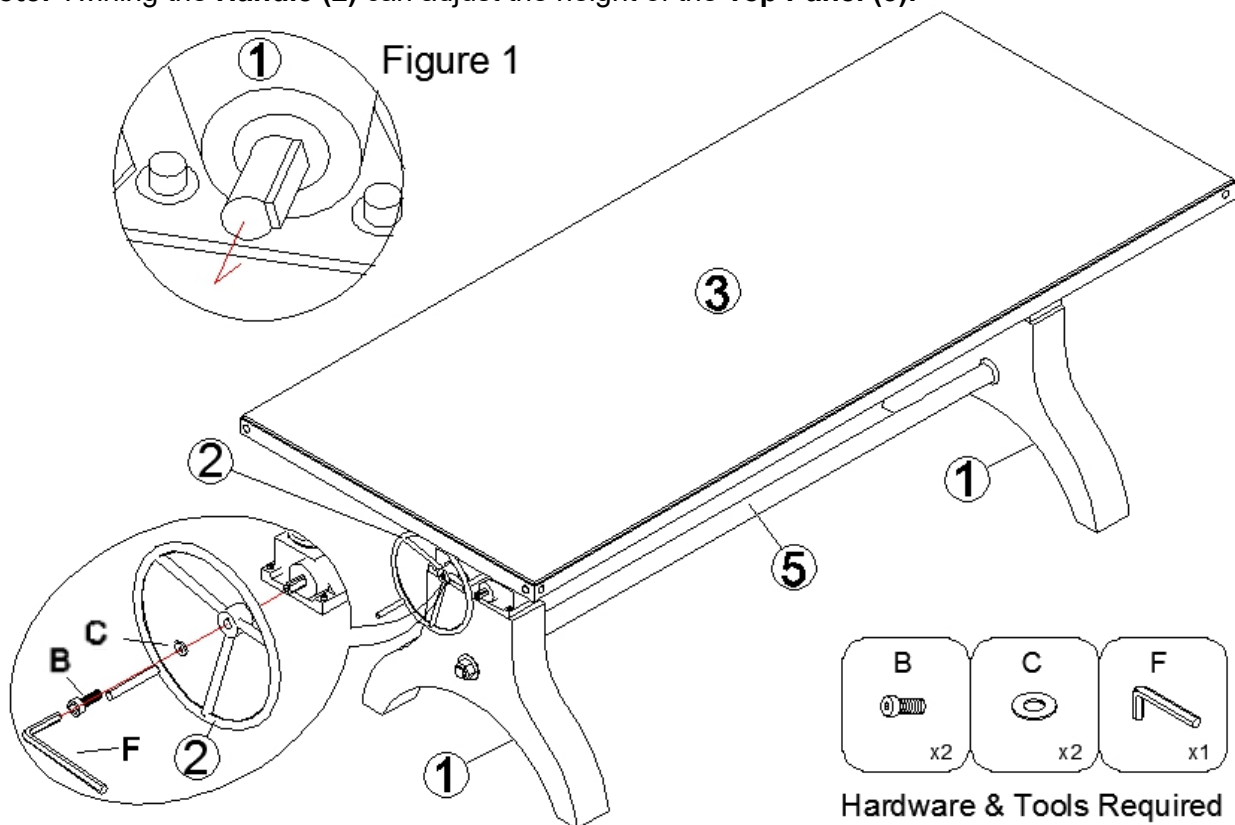
Carefully turn over the assembled Dining Table by at least four adults.



STEP 6

1. Please remove the plastic cover as shown with Figure 1.
2. Please insert 1 piece of **Handle (2)** into **Leg (1)** by the convex slot as shown.
3. Use **Allen Wrench (F)** to tighten 1 piece of **Bolt (B)** and **Small Flat Washer (C)** clockwise as shown.
4. Repeat the same way to assemble the other **Handle (2)** to other **Leg (1)**.

Note: Twirling the **Handle (2)** can adjust the height of the **Top Panel (3)**.





Assembly is complete. Your dining table is ready to enjoy now!