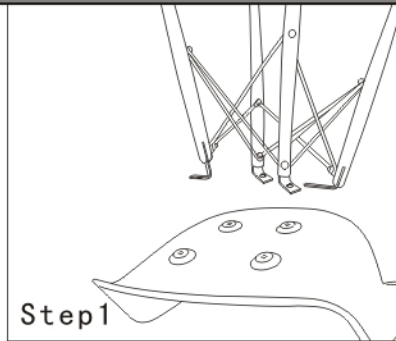
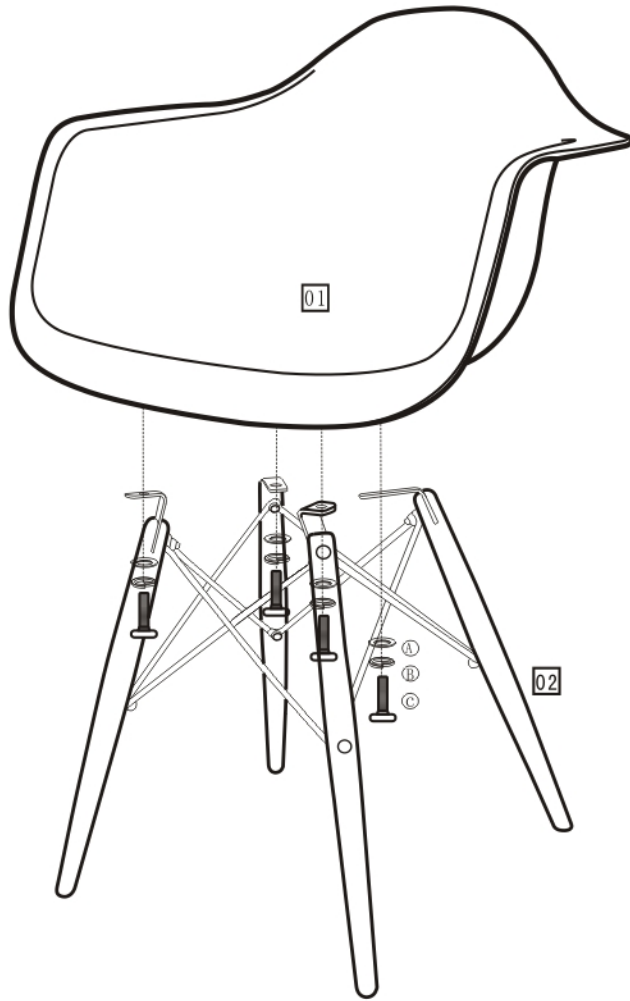


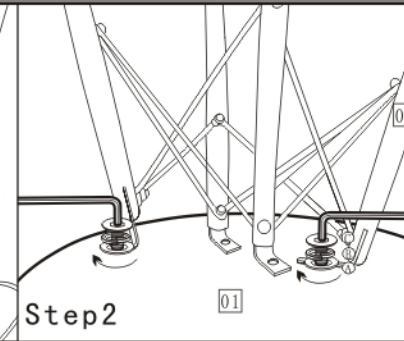
COMPONENT PARTS

FITTINGS



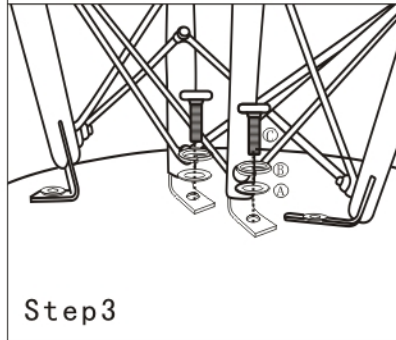
Step1

Please place the seat and the feet upside down



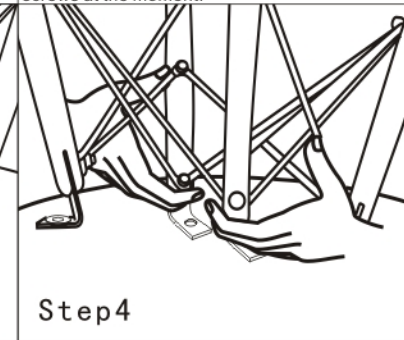
Step2

Please put 2 screws diagonally and rotate them into the holes loosely. Ⓐ should go closest to the chair. Ⓑ should go closest to the head of the bolt. Please be kindly noted that we can not tighten the screws at the moment.



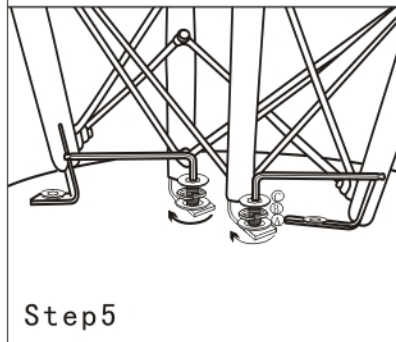
Step3

Please load the remaining 2 screws also diagonally



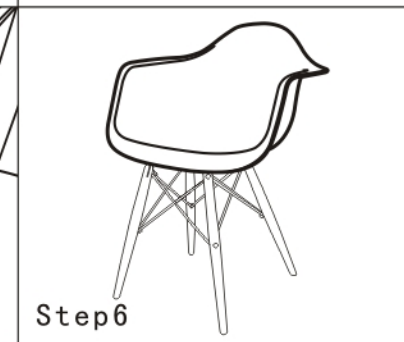
Step4

Please push the metal bars on the shell until the holes match with each other





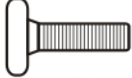
Step5

Tighten these 2 screws together with the previous 2 screws.



Step6

Please place the chair upside down

Ⓐ		X4
	Regular washer	
Ⓑ		X4
	Lock washer	
Ⓒ		X4
	Bolt	

COMPONENT CHECKLIST

PART	No.	Qty.	
Seat	01	1	<input type="checkbox"/>
tube	02	1	<input type="checkbox"/>

TOOLS REQUIRED



Allen key (supplied)