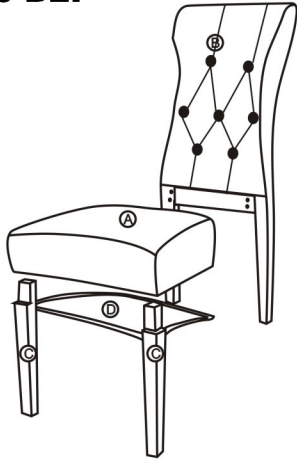


NAPLES DINING CHAIR

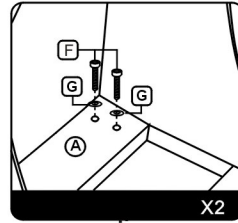
ASSEMBLY INSTRUCTION



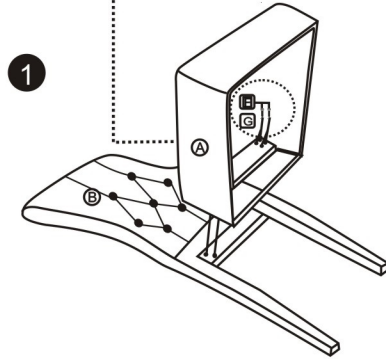
EEI-1380-BEI



E		X4
F		X4
G		X8
H		X1

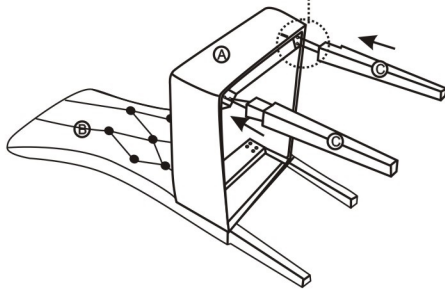
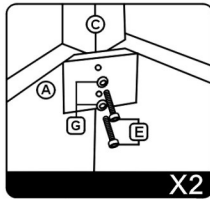


F		X4
G		X4

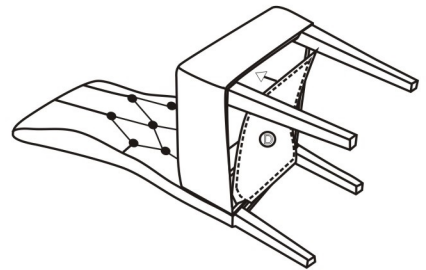


2

E		X4
G		X4



3



WARNING:

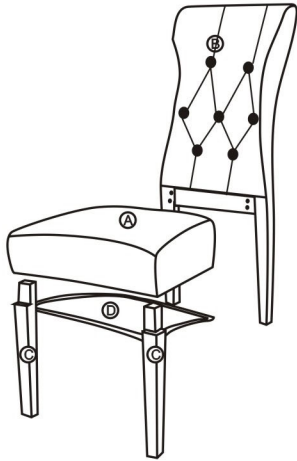
- DO NOT STAND ON THE CHAIRS
- THESE CHAIRS ARE DESIGNED TO SEAT ONE PERSON ONLY PER CHAIR
- DO NOT USE THE CHAIRS UNLESS ALL THE BOLTS AND SCREWS ARE FIRMLY TIGHTENED
- AT LEAST EVERY FOUR MONTHS, PLEASE CHECK ALL BOLTS AND SCREWS TO MAKE SURE THEY ARE SECURELY TIGHTENED
- IF ANY PARTS ARE MISSING, BROKEN, DAMAGED OR WORN, STOP USING THIS PRODUCT IMMEDIATELY UNTIL REPAIRS ARE MADE USING FACTORY AUTHORISED PARTS
- FAILURE TO FOLLOW THESE WARNINGS COULD RESULT IN SERIOUS INJURY

NAPLES DINING CHAIR

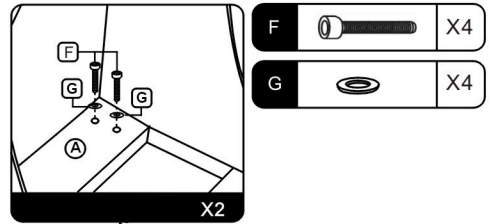
ASSEMBLY INSTRUCTION



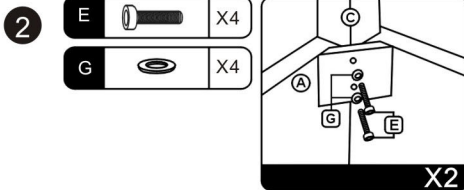
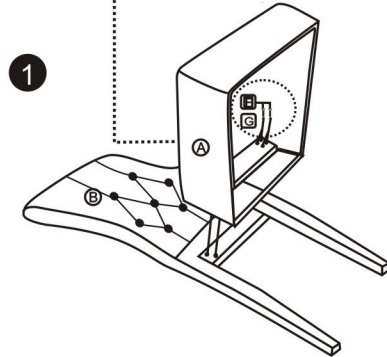
EEI-1380-GRY



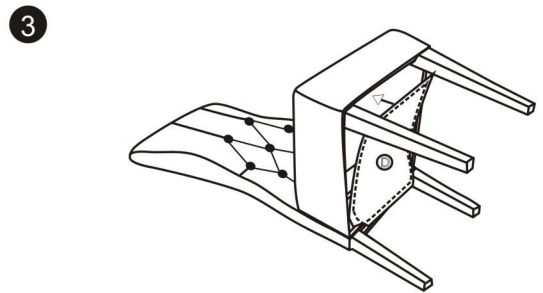
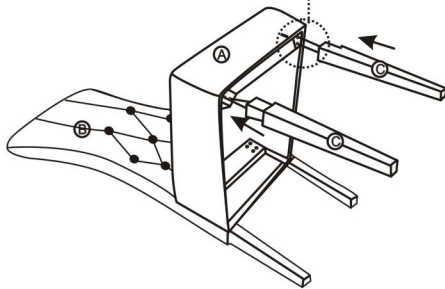
E		X4
F		X4
G		X8
H		X1



F		X4
G		X4



E		X4
G		X4



WARNING:

- DO NOT STAND ON THE CHAIRS
- THESE CHAIRS ARE DESIGNED TO SEAT ONE PERSON ONLY PER CHAIR
- DO NOT USE THE CHAIRS UNLESS ALL THE BOLTS AND SCREWS ARE FIRMLY TIGHTENED
- AT LEAST EVERY FOUR MONTHS, PLEASE CHECK ALL BOLTS AND SCREWS TO MAKE SURE THEY ARE SECURELY TIGHTENED
- IF ANY PARTS ARE MISSING, BROKEN, DAMAGED OR WORN, STOP USING THIS PRODUCT IMMEDIATELY UNTIL REPAIRS ARE MADE USING FACTORY AUTHORISED PARTS
- FAILURE TO FOLLOW THESE WARNINGS COULD RESULT IN SERIOUS INJURY