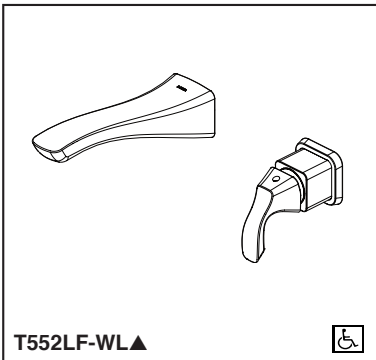




LAVATORY FAUCET TRIM

- Tesla™ Collection
- Single Handle Wall Mount



T552LF-WL▲



Submitted Model No.: _____

Specific Features: _____

STANDARD SPECIFICATIONS:

- Maximum 1.20 gpm @ 60 psi, 4.54 L/min @ 414 kPa
- Two hole mount
- Diamond coated ceramic cartridge (included in R3510-WL rough)
- Temperature and volume controlled by handle
- Accommodates wall thickness from 0" to 1" (25 mm)
- Control handle shall return to neutral position when valve is turned off
- Rough-In R3510-WL required for installation
- Drain sold separately
- Red/blue indicator markings
- Cartridge ships with rough

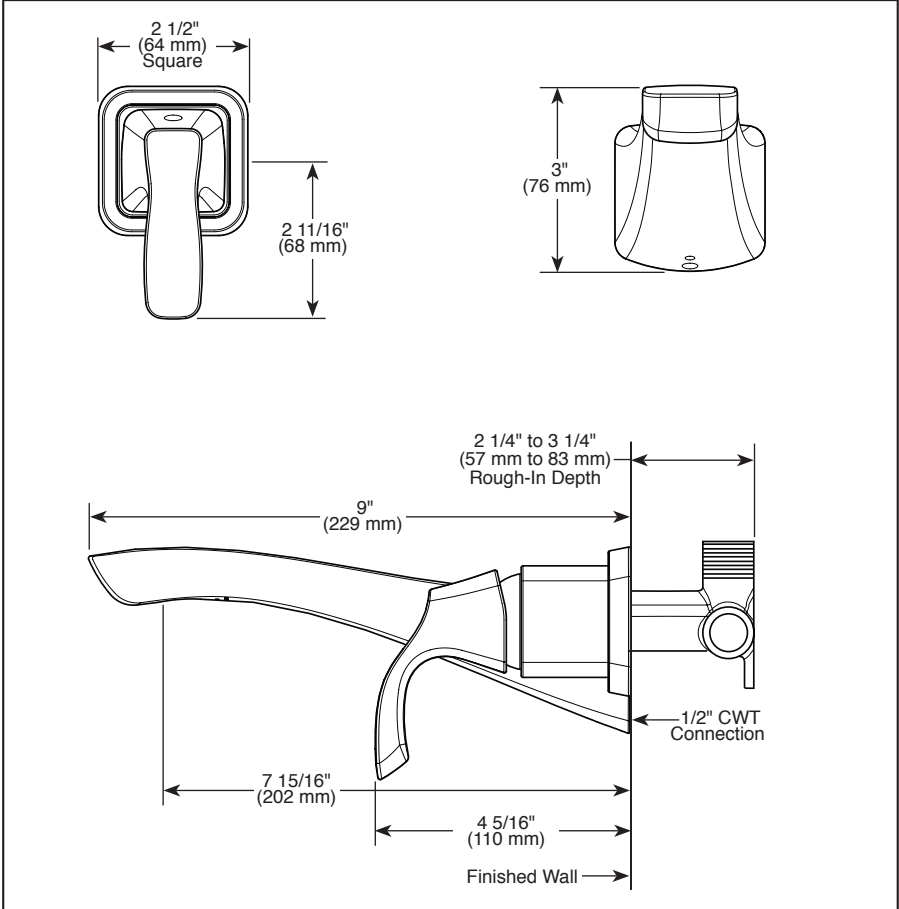
WARRANTY

- Lifetime limited warranty on parts (other than electronic parts and batteries) and finishes: or, for commercial users, for 5 years from date of purchase.
- 5 year limited warranty on electronic parts (other than batteries); or, for commercial users, for 1 year from the date of purchase. No warranty is provided on batteries.

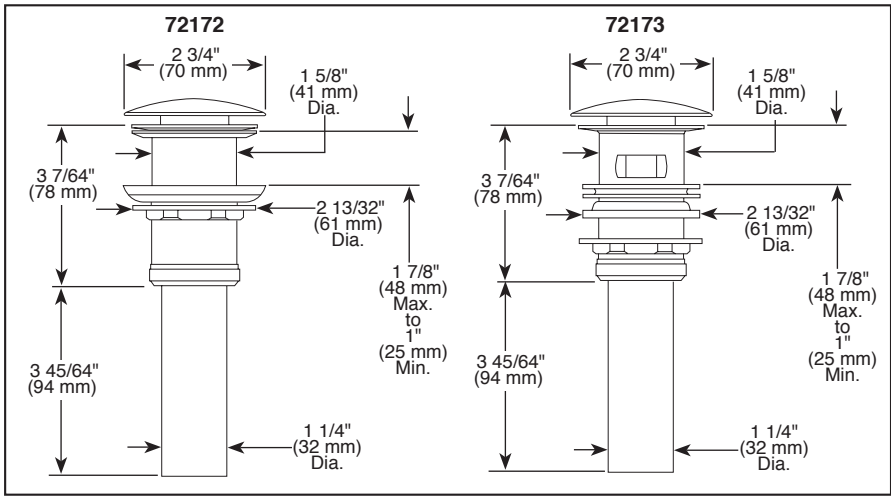


COMPLIES WITH:

- ASME A112.18.1 / CSA B125.1
- ASME A112.18.2 / CSA B125.2
- Indicates compliance to ICC/ANSI A117.1- Valve control only.
- Verified compliant with .25% weighted average Pb content regulations.
- EPA WaterSense®



▲ Designate proper finish suffix



Delta reserves the right (1) to make changes in specifications and materials, and (2) to change or discontinue models, both without notice or obligation. Dimensions are for reference only. See current full-line price book or www.deltafaucet.com for finish options and product availability.



55 E. 111th Street, Indianapolis, Indiana 46280
 350 South Edgeware Road, St. Thomas, ON N5P 4L1
 © 2016 Masco Corporation of Indiana