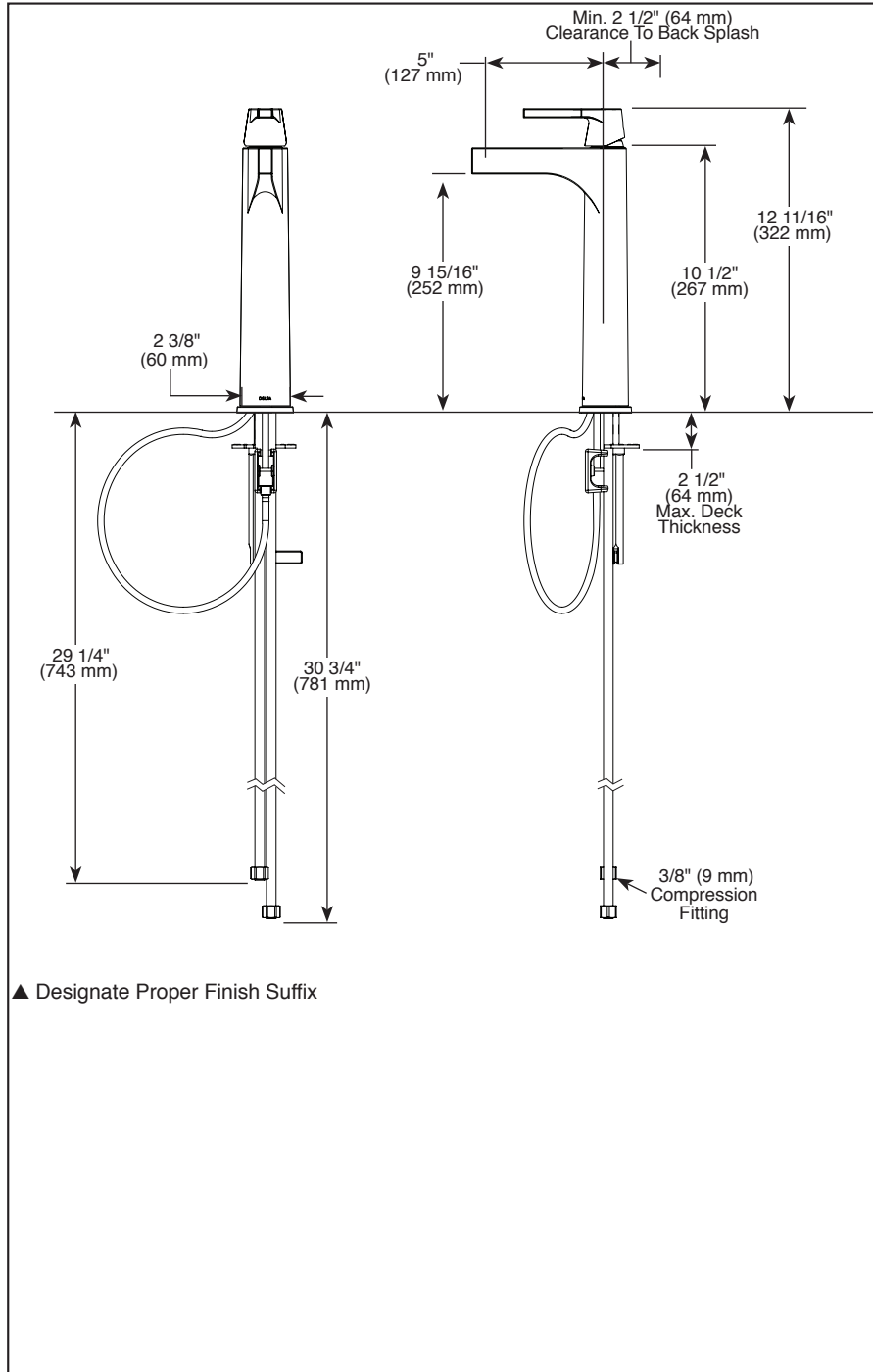


774▲-DST

Submitted Model No.: _____

Specific Features: _____



▲ Designate Proper Finish Suffix



LAVATORY FAUCETS

- Zura™ Bath Collection
- Single Handle Deck Mount Vessel
- Single Hole Mount

STANDARD SPECIFICATIONS:


- Maximum 1.20 gpm @ 60 psi, 4.50 L/min @ 414 kPa
- Solid brass fabricated body.
- 1 1/8" minimum - 1 1/2" maximum hole size.
- Control mechanism is the diamond embedded ceramic disc cartridge.
- 3/8" O.D. straight, staggered PEX supply tubes 29 1/4" (743 mm) and 30 3/4" (781 mm) long.
- Red/blue indicators.
- Drain sold separately.

WARRANTY

- Lifetime limited warranty on parts (other than electronic parts and batteries) and finishes; or, for commercial users, for 5 years from date of purchase.
- 5 year limited warranty on electronic parts (other than batteries); or, for commercial users, for 1 year from the date of purchase. No warranty is provided on batteries.



COMPLIES WITH:

- ASME A112.18.1 / CSA B125.1
-  Indicates compliance to ICC/ANSI A117.
- EPA WaterSense®
- Verified to ≤0.25% Pb average wetted surface regulations.



55 E. 111th Street, Indianapolis, Indiana 46280
 350 South Edgeware Road, St. Thomas, ON N5P 4L1
 © 2016 Masco Corporation of Indiana

Delta reserves the right (1) to make changes in specifications and materials, and (2) to change or discontinue models, both without notice or obligation. Dimensions are for reference only. See current full-line price book or www.deltafaucet.com for finish options and product availability.

DSP-L-774-DST Rev. A