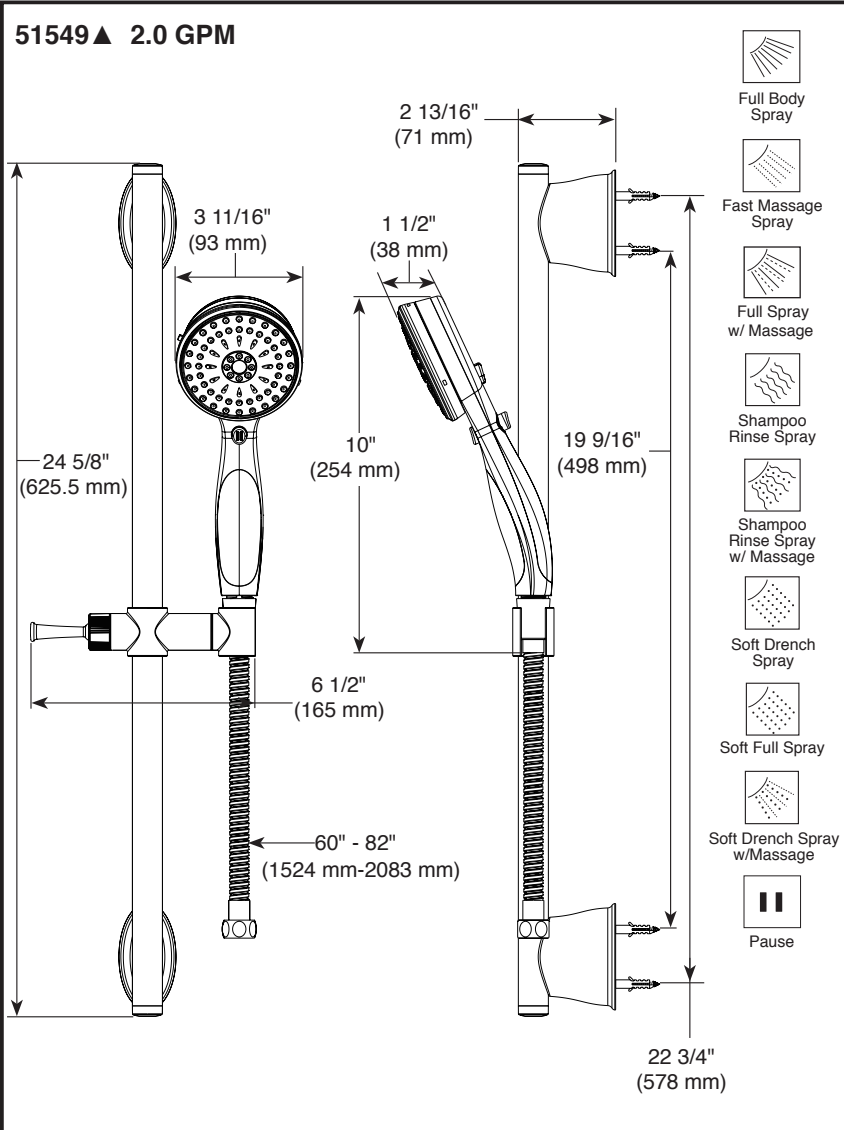


ActivTouch Slide Bar Hand Shower

- ActivTouch® Handshower
- 9 Spray Setting Handshower
- Touch-Clean® Nozzles

Submitted Model No.: _____

Specific Features: _____



STANDARD SPECIFICATIONS:

- Maximum flow rate 2.0 gpm @ 80 PSI, 7.6L/min @ 552kPa.
- Certified dual neoperl check valves for backflow protection.
- Three spray selection buttons for a simple one-handed operation.
- Soft touch non-slip grip.
- Hand held shower with nine spray settings – not a positive shut-off.
- 60-82" stretchable metal hose.
- Wall bar bracket for hands-free showering.
- Wall bar w/adjustable slide (allows for adjustable shower height). Not to be used as a grab bar.

WARRANTY

- Lifetime limited warranty on parts (other than electronic parts and batteries) and finishes; or, for commercial users, for 5 years from the date of purchase.
- 5 year limited warranty on electronic parts (other than batteries); or for commercial users, for 1 year from the date of purchase. No warranty is provided on batteries.



COMPLIES WITH

- ASME A12.18.1 / CSA B125.1
- EPA WaterSense®

▲ Designate proper finish suffix

Delta reserves the right (1) to make changes in specifications and materials, and (2) to change or discontinue models, both without notice or obligation. Dimensions are for reference only. See current full-line price book or www.deltafaucet.com for finish options and product availability.

