

SHOWERHEAD ACCESSORIES

Description

- All extension shower arms increase the range of the showerhead

Standards

- Listed IAPMO/UPC
- CSA B125
- Energy policy act of 1992

Warranty

Danze products are covered by a manufacturer's limited "lifetime" warranty for manufacturing defects.



D481150 - 9" adjustable high flow shower arm

Available Colors & Finish

- Chrome
- Brushed Nickel (BN)
- Oil Rub Bronze (RB)



D481170 - 13" adjustable curved high flow shower arm

Available Colors & Finish

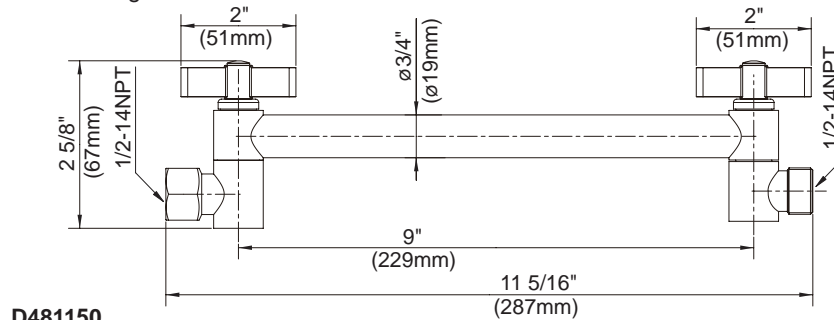
- Chrome
- Antique Copper (AC)
- Brushed Nickel (BN)
- Distressed Nickel (DN)
- Polished Brass (PBV)
- Oil Rub Bronze (RB)



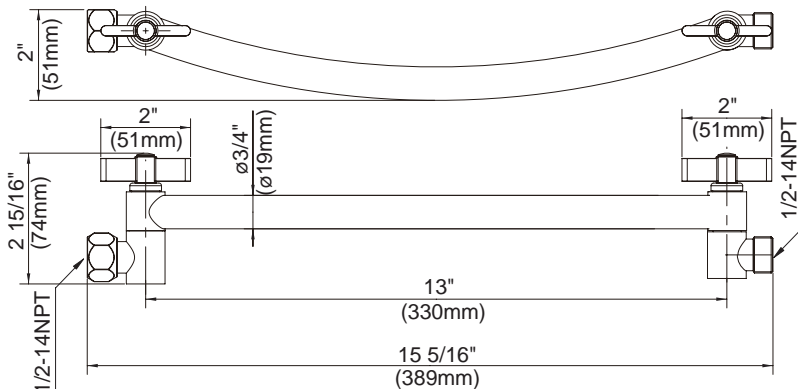
D481146 - 9" extension arm

Available Colors & Finish

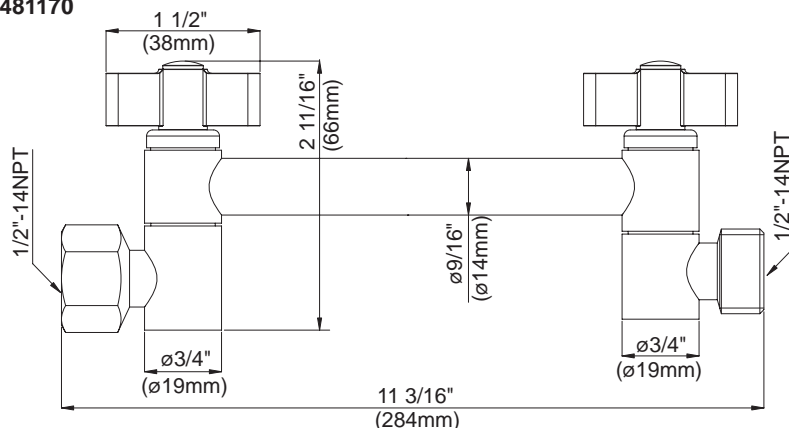
- Chrome
- Brushed Nickel (BN)
- Polished Brass (PBV)
- Oil Rub Bronze (RB)



D481150



D481170



D481146

Specific Features: _____ Submitted Model No.: _____