

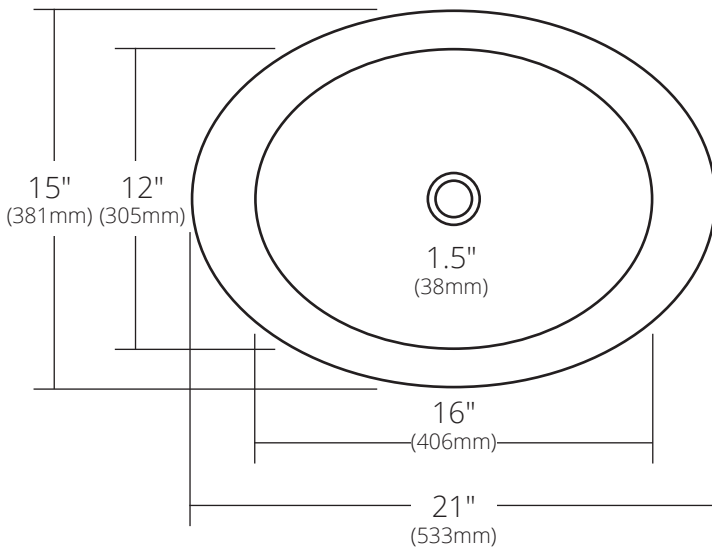
SPECIFICATIONS

CUYAMA

NativeStone® Collection



TOP VIEW



- NSL2115-A Ash
- NSL2115-S Slate
- NSL2115-P Pearl
- NSL2115-E Earth

PRODUCT DETAILS

- 21" x 15" x 5" OD (533mm x 381mm x 127mm)
- 16" x 12" x 4.25" ID (406mm x 305mm x 108mm)
- 1.5" (38mm) drain opening
- Handcrafted from sustainable NativeStone®
- Sealed with impermeable nano sealer

INSTALLATION

- Drop-in

COORDINATING PRODUCTS

- Drains : DR120, DR130 or DR150
- NativeStone® Sealer

STANDARDS COMPLIANCE

- UPC/cUPC compliant
- **ADA** COMPLIANT

IMPORTANT

Do NOT use tape or other adhesives on NativeStone® as it may remove the sealer.

Due to the handcrafted nature of this product, it will vary in finish, texture, and other details. Dimensions may vary up to .25" (6mm).

