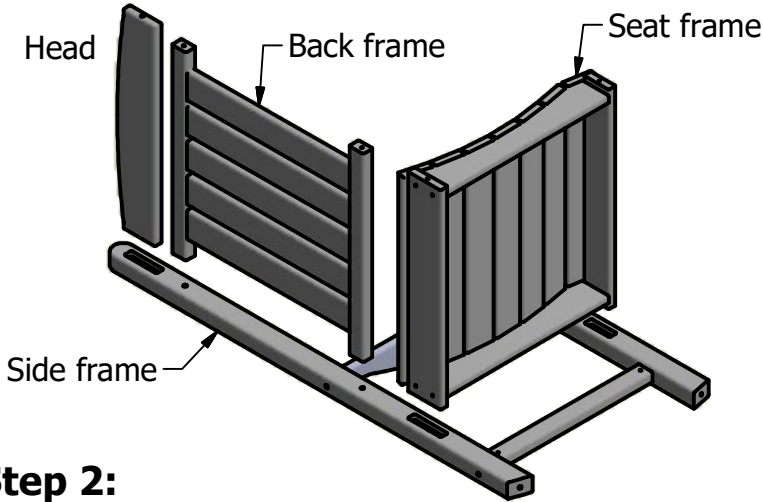




**NOTE:
DO NOT CUT THE PLASTIC WRAP
AROUND THE BACK FRAME
UNTIL ASSEMBLY
IS COMPLETE.**

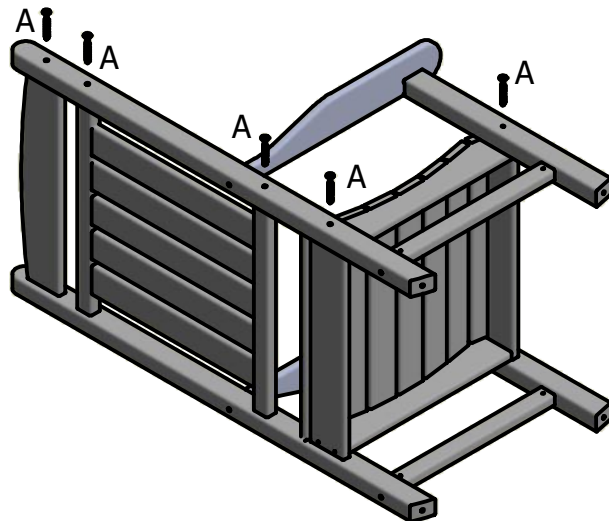
Step 1:

Set one side frame on the ground with the pockets facing up. Place the head and seat frame into the pockets. Set the back frame onto the side frame



Step 2:

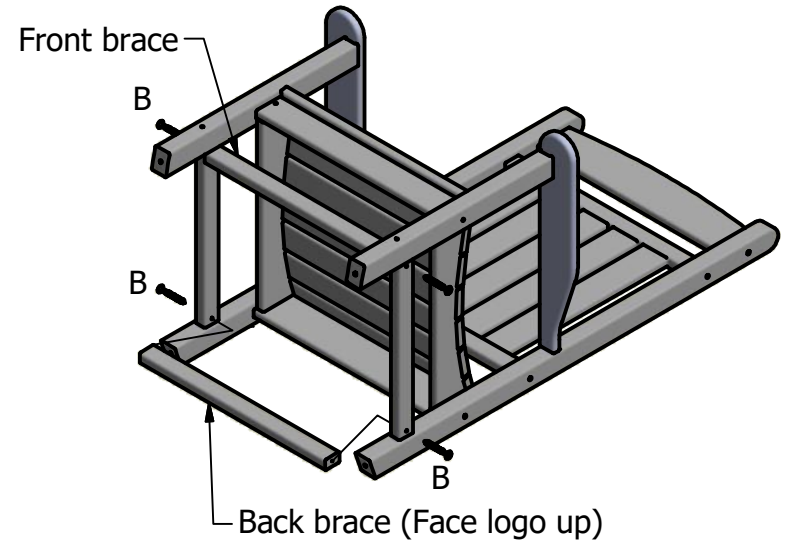
Place the other side frame on top and insert the head and seat frame into the pockets. Also, line up the back frame with the holes of the side frame. Attach using A- screws. Flip and repeat on the other side .



Step 3:

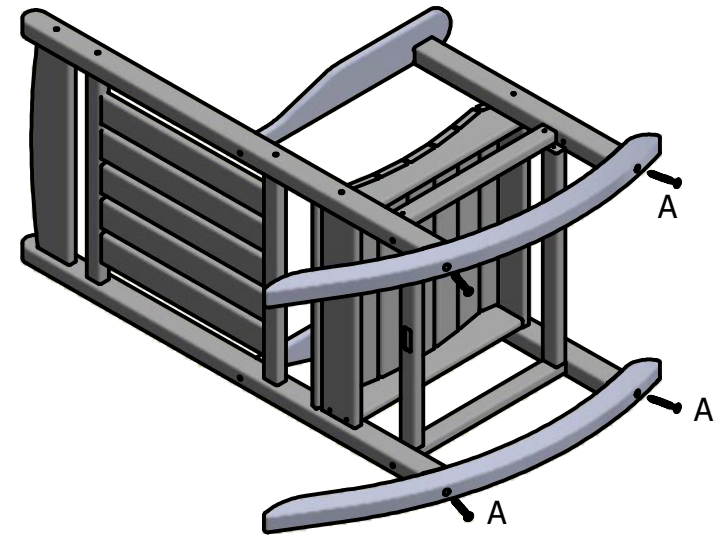
Attach the front and back brace using B- screws.

Note: Back brace has the DuroGreen logo. It should be facing up towards the back of rocker



Step 4:

Set rocker on its side. Attach rocker bottoms with A-screws



Materials:

- (1) Hardware pack
- (1) Head piece
- (1) Back frame
- (1) Seat frame
- (2) Side frame
- (1) Front Brace
- (1) Back Brace
- (2) Rocker Bottom

TOOLS REQUIRED



Allen Wrench
Included

Phillips Screw-Driver
Not included

Note:

Do not use an impact driver to install hardware. Use battery operated drill or provided Allen wrench

- (14) A - 1/4-20 x 2-5/8" Hex screw



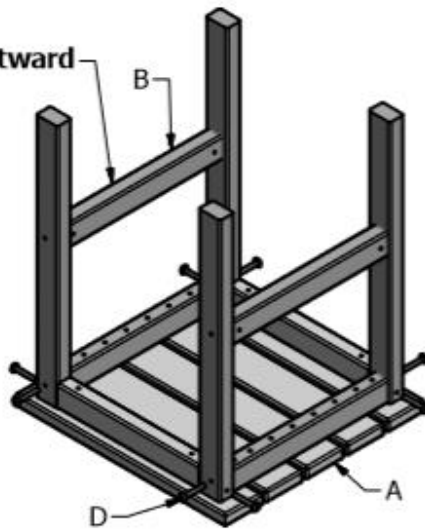
- (4) B - 2" Phillips screw



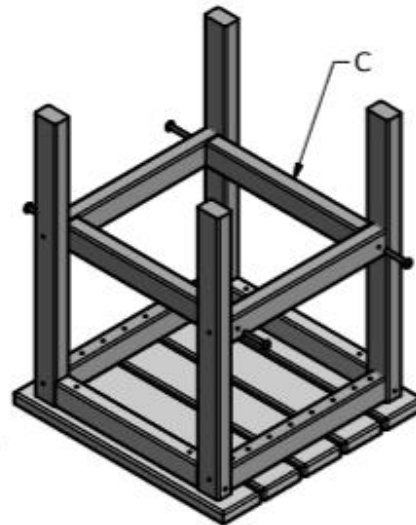


Step 1:
Lay tabletop upside down and attach leg assemblies using (8) 2" screws
Note: Do not fully tighten screws

Make sure braces are facing outward



Step 2:
Loosely attach braces using the remaining (4) 2" screws
Next, turn table upright and tighten all screws



Included Items:

- A. (1) Table top assembly
- B. (2) Leg assemblies
- C. (2) Leg cross braces
- D. (12) 2" Phillip head screws

Tools Needed:

Phillips screwdriver