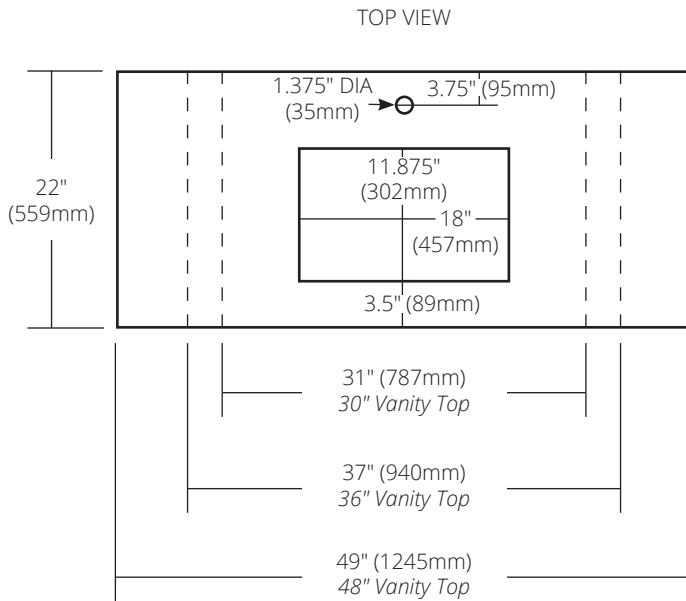


SPECIFICATIONS

CARRARA MARBLE VANITY TOP
ALL SIZES - RECTANGLE WITH SINGLE FAUCET HOLE



30" Vanity Top

31"w x 22"d x .75"h (787mm x 559mm x 19mm)
 VNT30-CR1

36" Vanity Top

36"w x 22"d x .75"h (940mm x 559mm x 19mm)
 VNT36-CR1

48" Vanity Top

49"w x 22"d x .75"h (1245mm x 559mm x 19mm)
 VNT48-CR1

PRODUCT DETAILS

- Lightly polished Italian marble
- Pre-drilled with single hole

COORDINATING PRODUCTS

- Hana, Avila, or Cabrillo sinks
- Drains: DR120, DR130 or DR150

IMPORTANT

Due to the handcrafted nature of this product, it will vary in finish, texture, and other details. Dimensions may vary up to .25" (6mm).