

GVR-204-RE

Blue Glass Vessel Sink

Sink Dimensions

Dimensions: 21 7/8" x 13 7/8" x 4"

Features

- Solid Tempered Glass
- Vessel Sink
- 15mm Thickness
- 1 3/4" Drain Hole Size
- Without Overflow

CODES/STANDARDS:

Product Certification

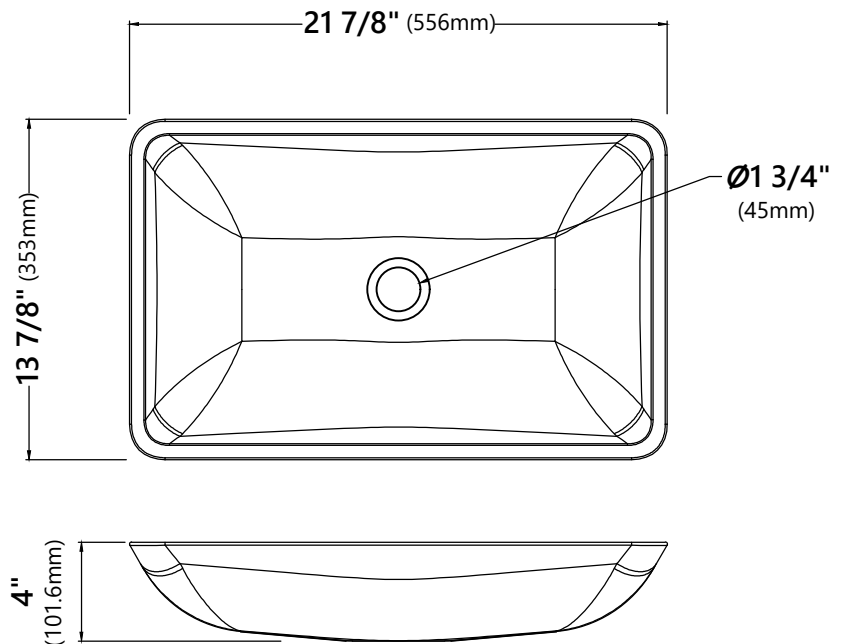
cUPC certified, MASS Approved, ADA compliant



Warranty

Kraus Limited Lifetime Warranty

see website for details www.kraususa.com



KGW-1700

Waterfall Bathroom Faucet

Faucet Dimensions

Overall Height: 12 3/4"

Overall Width: 7 1/8"

Spout Height: 8"

Spout Reach: 6 1/8"

Features

- Metal Body
- Lead Free Brass Waterway
- 35mm Ceramic Cartridge
- Single Hole Installation
- Flow Rate 2.2gpm (8.3L/min) @ 60 psi
- 32.5" Nylon Waterlines

Accessories Included

- Hex Wrench

Optional Accessories

- Pop Ups PU-10, PU-12

Available Finishes

- Chrome
- Satin Nickel
- Oil Rubbed Bronze
- Spot Free Stainless Steel

CODES/STANDARDS:

Product Certification

cUPC (ASME A112.18.1/CSA B125.1)

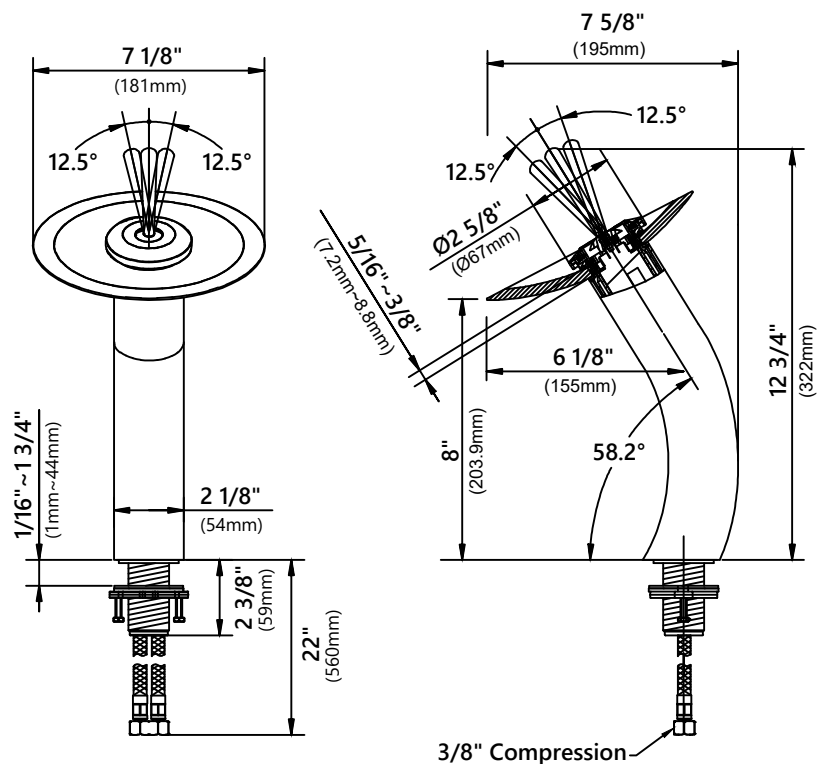
NSF/ANSI Standard 61 and 372 certified by IAPMO

AB1953, MASS, DOE, ADA

Warranty

Kraus Limited Lifetime Warranty

see website for details www.kraususa.com



GD

Waterfall Faucet Glass Disk

Glass Disk Dimensions

Overall Dimensions: $\varnothing 7 \frac{1}{4}''$ x $1 \frac{1}{8}''$

Features

- Tempered Glass Construction
- For Use with KGW-1700 Waterfall Faucet

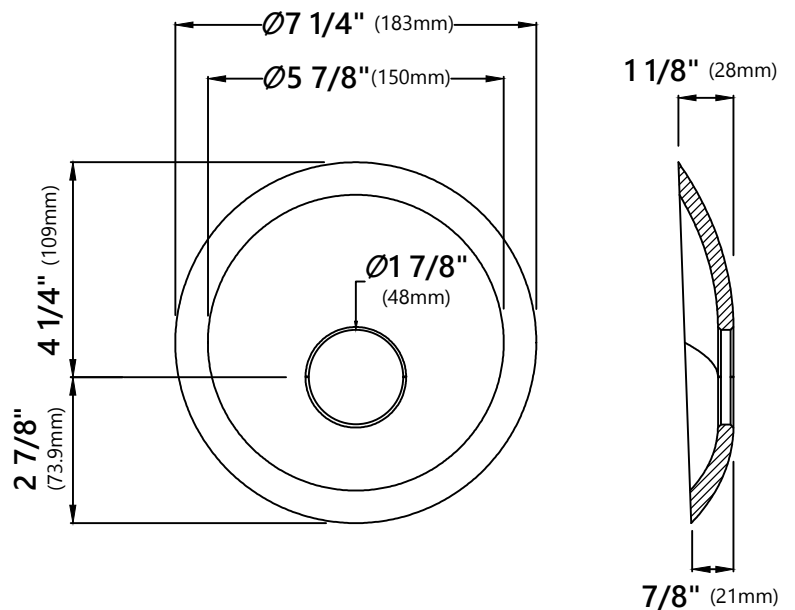
Available Colors

- Clear
- Frosted
- Clear Brown
- Clear Black
- Clear Red
- Green
- Blue
- Copper
- Brown



Warranty

Kraus Limited Lifetime Warranty
see website for details www.kraususa.com



PU-10

Pop Up Drain w/o Overflow

Pop Up Dimensions

Dimensions: 8 5/8" x Ø2 5/8"

Features

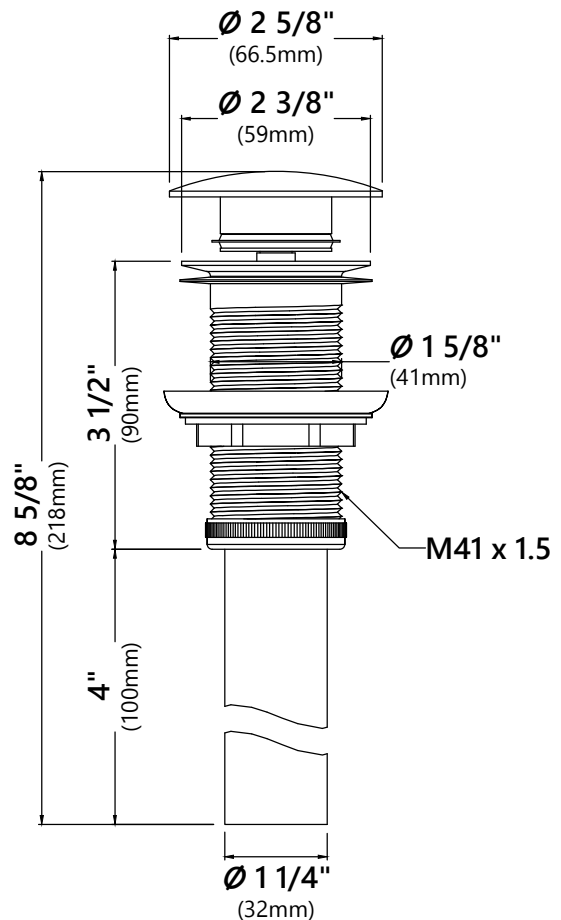
- Metal Construction
- Connection 1 1/4"
- Designed to Use w/ Above-Counter Vessel Sinks without overflow
- Fits Standard 1 3/4" Drain Opening

Available Colors

- Satin Nickel
- Gold
- Oil Rubbed Bronze
- Chrome
- Brushed Gold
- Matte Black

CODES/STANDARDS:

Product Certification
cUPC



Warranty

Kraus Limited Lifetime Warranty
see website for details www.kraususa.com