

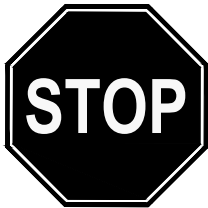
Kräus[®]

INSTALLATION MANUAL

Glass Vessel Sinks

Congratulations on the purchase of your new Kraus plumbing fixture!

Please keep the box and packaging materials until your product is completely installed. If you have any questions, require technical assistance or have any problems with your product:



DO NOT RETURN TO STORE

**Please contact our Customer Service Team
1-800-775-0703 / customerservice@kraususa.com**

Have the model number available and retain a copy of your receipt with purchase date for reference.

If for any reason this product does not meet your expectations, please be sure to repack this product in the original box and packaging material to avoid damage during transit.

Prior to Installation:

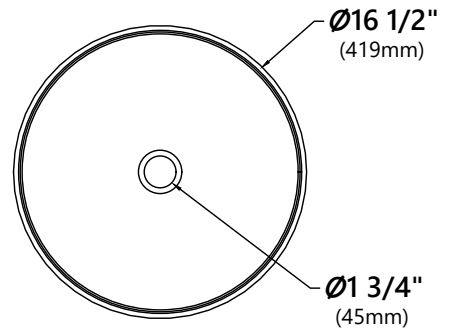
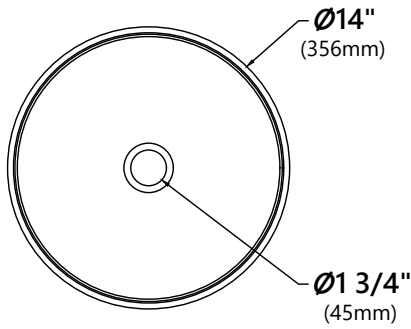
- Unpack your new product and ensure that all the parts are contained in the packaging
- Keep the product in its original box until you're ready to install it
- The counter top must be flat
- Shut off the water supply if replacing a previously-installed vessel sink
- Observe all plumbing and building codes in your area
- It is recommended that installation of the product be done by a professional plumber

For technical assistance or replacement parts, please contact Kraus Customer Service and one of our representatives will be happy to help:

Toll-Free: 800-775-0703 or customerservice@kraususa.com

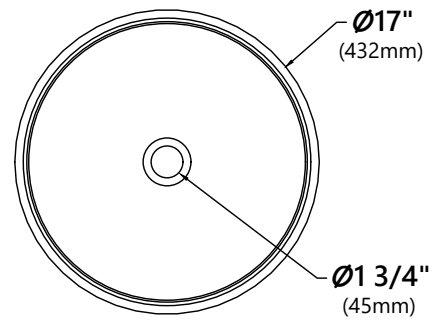
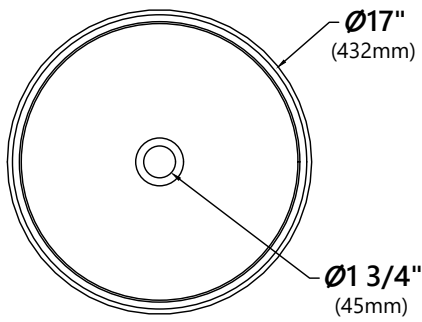
The step-by-step guidelines in the installation instructions are a general reference for installing a Kraus sink. Should there be any discrepancies, Kraus cannot be held liable. It is recommended to install all Kraus products by hiring a licensed professional.

Dimensions



Model #: GV-101-14, GV-101FR-14,
 GV-103-14, GV-104-14
 Sink Dimensions: $\text{Ø}14'' \times 5\frac{1}{2}''$
 Glass Thickness: 12mm

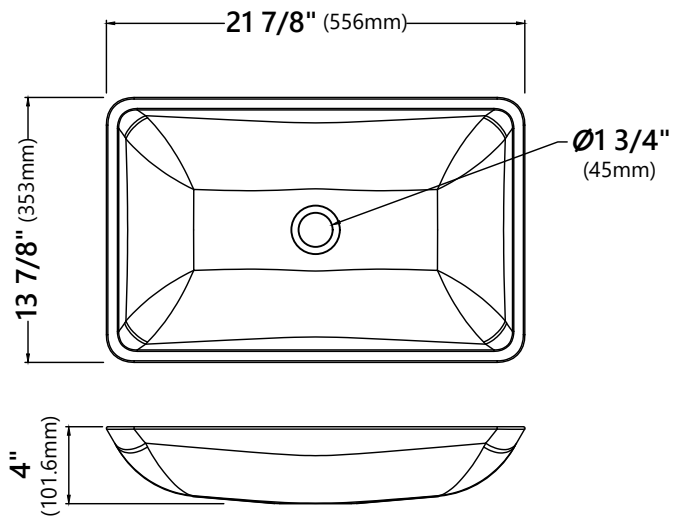
Model #: GV-100, GV-101, GV-101FR,
 GV-104, GV-200, GV-204, GV-580,
 GV-651, GV-684
 Sink Dimensions: $\text{Ø}16\frac{1}{2}'' \times 5\frac{1}{2}''$
 Glass Thickness: 12mm



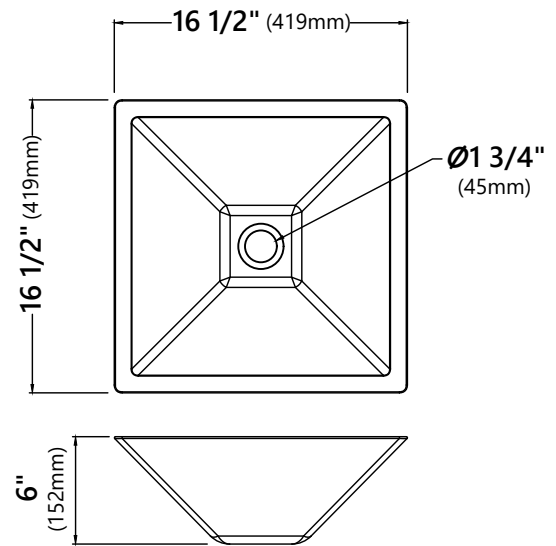
Model #: GV-101-19mm, GV-391-19mm,
 GV-398-19mm, GV-399-19mm, GV-680-19mm
 Sink Dimensions: $\text{Ø}17'' \times 6''$
 Glass Thickness: 19mm

Model #: GV-150-19mm
 Sink Dimensions: $\text{Ø}17'' \times 6''$
 Glass Thickness: 19mm
 Rim Thickness: 34mm

Dimensions

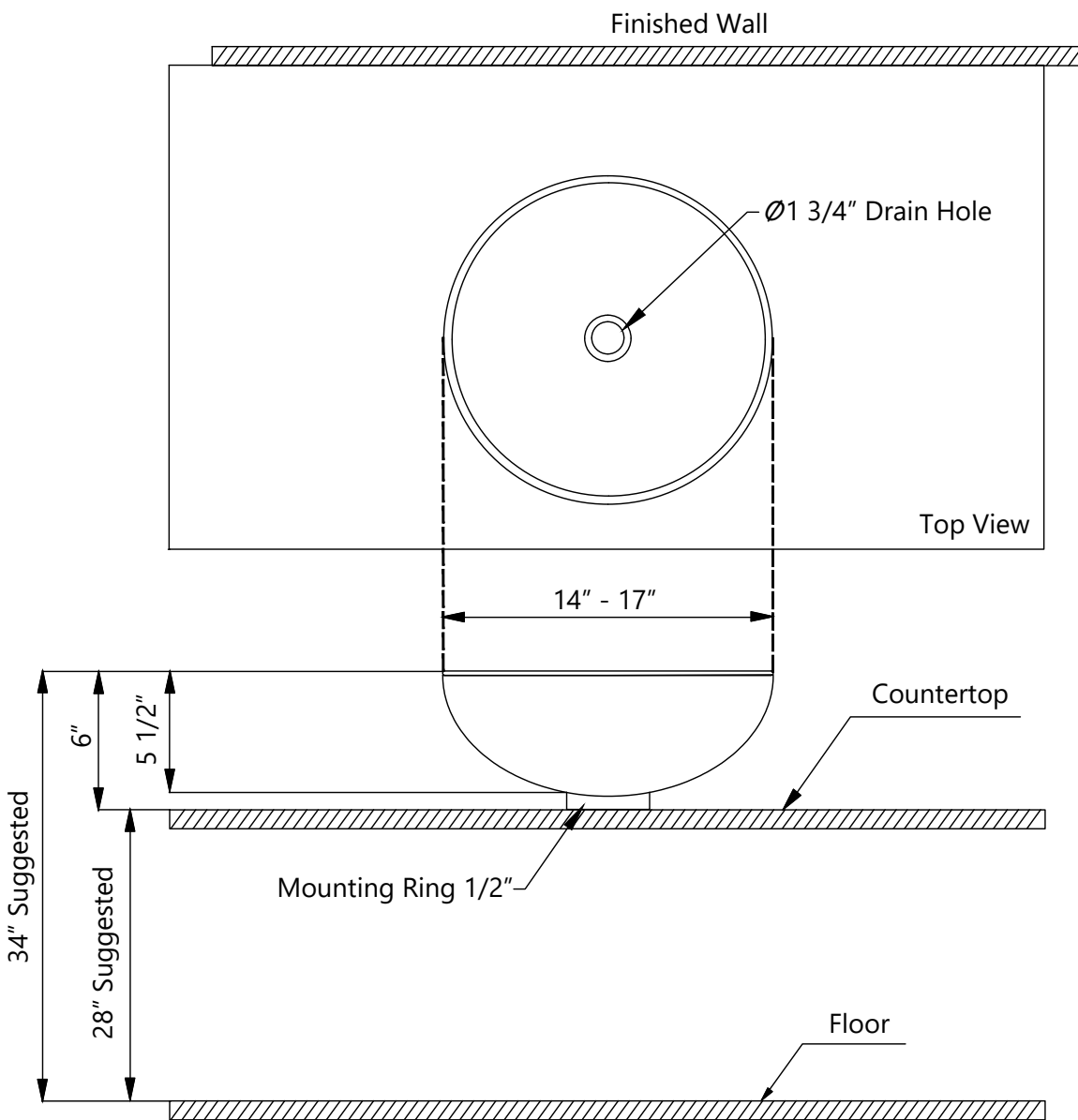


Model #: GVR-204-RE, GVR-210-RE
Sink Dimensions: $21\frac{7}{8}$ " x $13\frac{7}{8}$ " x 4"
Glass Thickness: 15mm



Model #: GVS-901-19mm
Sink Dimensions: $16\frac{1}{2}$ " x $16\frac{1}{2}$ " x 6"
Glass Thickness: 19mm

Rough-In Dimensions



Installer Tip

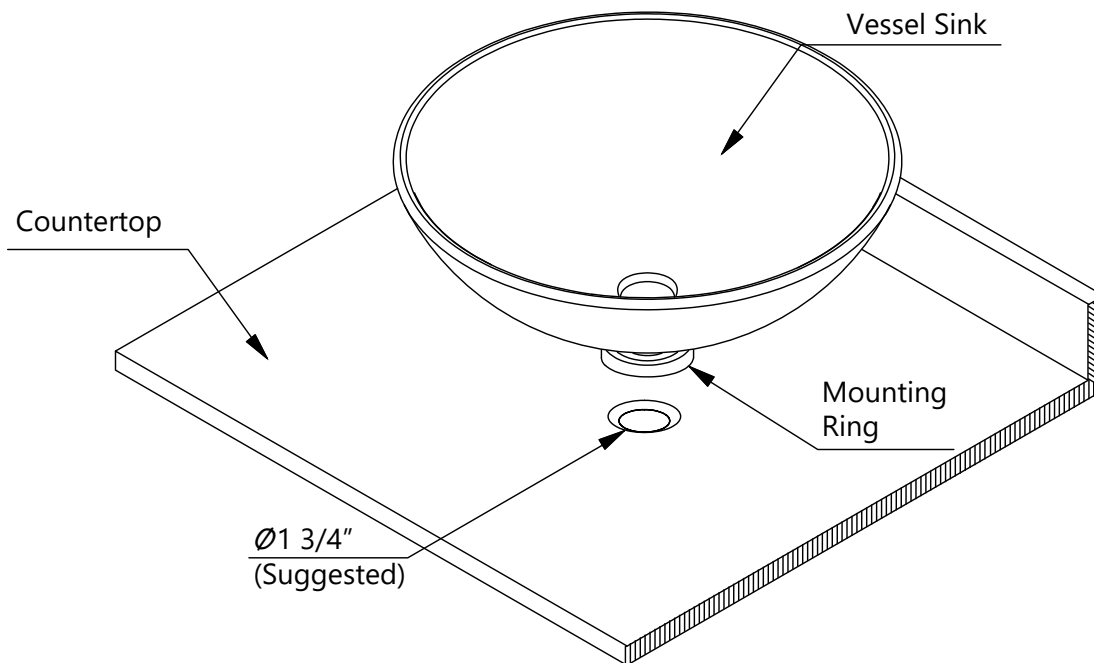
Shut off main water supply before installation.

Above Counter Installation Instructions

Before You Begin

Prepare countertop by drilling a 1 3/4" diameter drain hole at the desired location. Install mounting ring. Place vessel sink on the mounting ring or countertop as shown below.

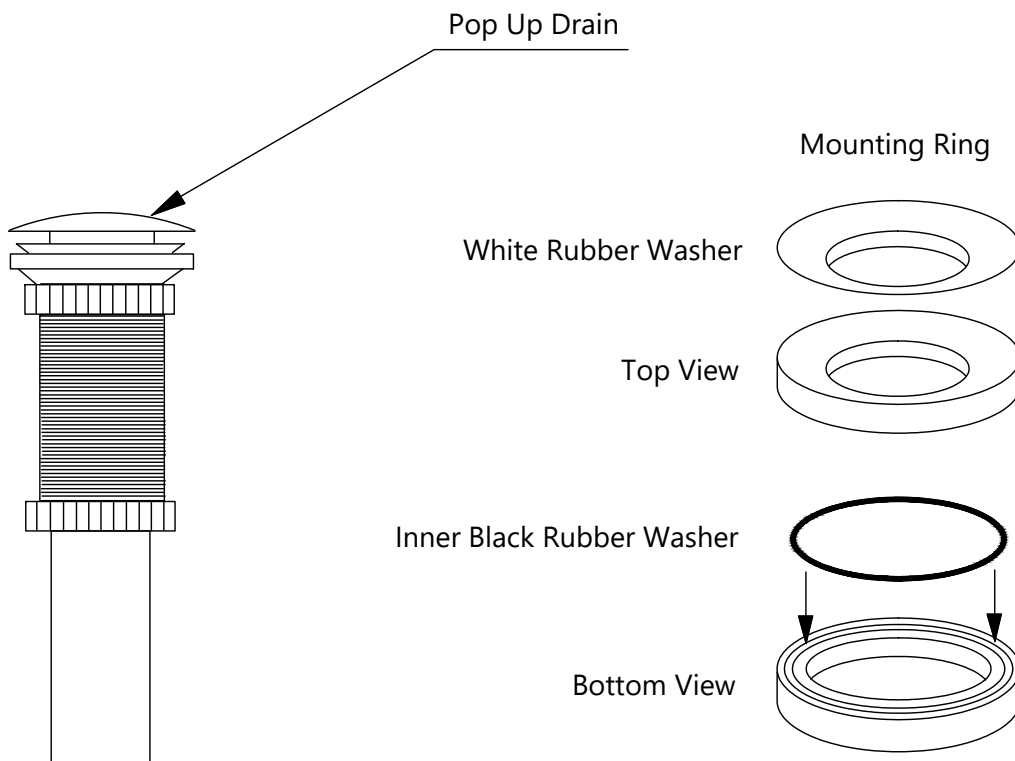
1. Make sure the vessel sink is not scratched, chipped or broken prior to installation.
2. Check to see if your set contains the following parts:
 - Vessel sink
 - Pop up drain (optional, may be sold separately)
 - Mounting Ring (optional, may be sold separately)
3. Locate and place the mounting ring over the drain hole with the rubber side facing down and the white washer side facing up.
4. Gently set your sink on top of the mounting ring.



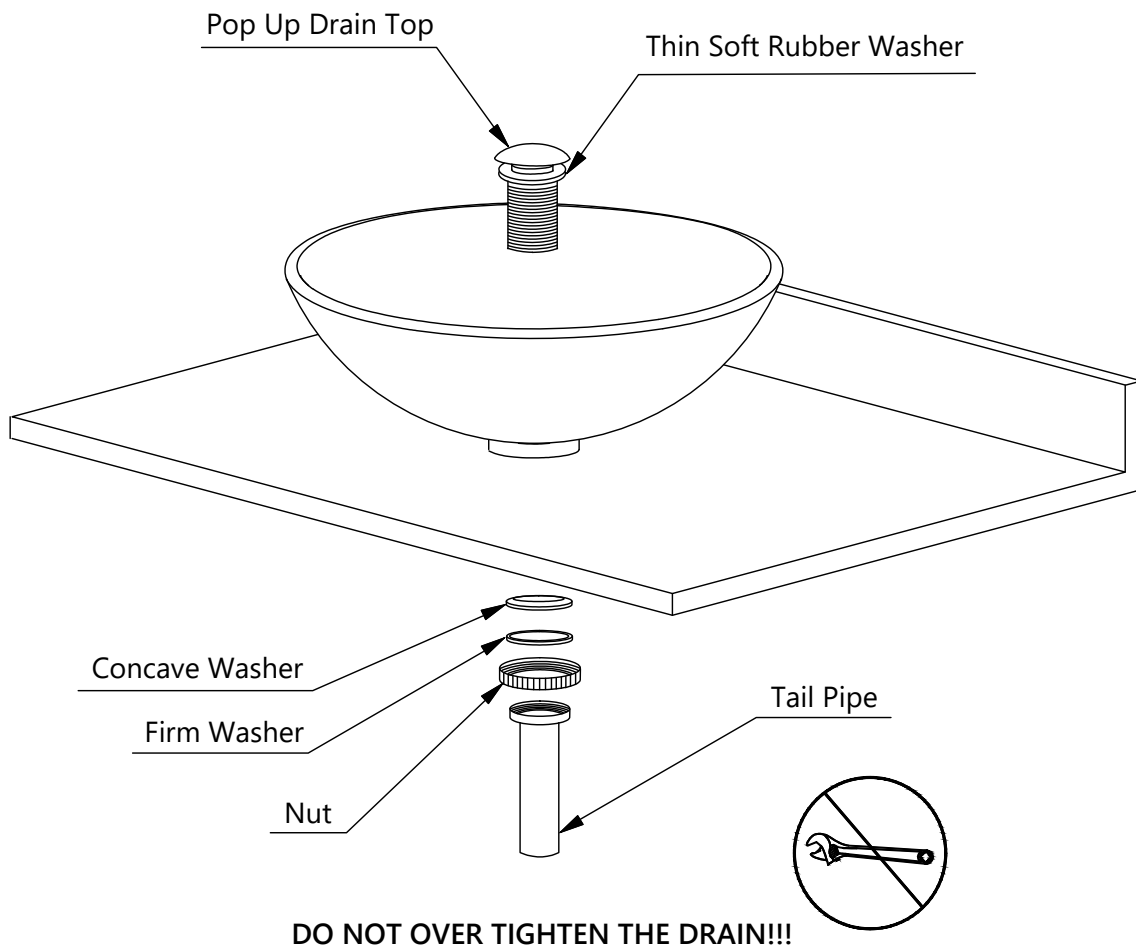
Pop Up Drain & Mounting Ring Installation (Only if Included)

Locate and disassemble your pop up drain in the following order:

- Unscrew the tail piece
- Unscrew the brass nut
- Remove the firm washer
- Remove the concave washer, leaving the top thin rubber washer on.



1. From above the countertop, insert the drain body into the 1 3/4" drain opening of your sink.
2. From underneath the countertop, insert the concave white rubber washer onto the drain.
3. Pushing the washer all the way up until it is in contact with the countertop.
4. Insert the firm washer onto the drain body until it comes into contact with the concave white rubber washer.
5. Screw the brass nut onto the drain body until it touches the firm washer.



Codes/Standards Applicable



Glass Bathroom Sink Warranty

Kraus products are manufactured and tested to the highest quality standards by Kraus USA Inc. ("Kraus").

Kraus extends this warranty to the original purchaser for personal household use of the "Glass Sink" in its original location. The warranty is non-transferable.

Kraus warrants the structure and finish of the product (Glass Sink) to be free from defects in material and workmanship under normal usage for the lifetime of the product. The warranty commences from the initial date of purchase by the owner or trade professional, from an authorized Kraus dealer, through the lifetime of the original owner or end-user.

Any product reported to the authorized dealer or to Kraus as being defective within the warranty period will be repaired or replaced with a product of equal value at the option of Kraus. This warranty extends to the original owner or end-user, and is not transferable to a subsequent owner.

Restrictions

This warranty does not cover antediluvian, discontinued, or display products, whether such items are purchased at discount outlets, unauthorized dealers, and/or sold on clearance.

This warranty does not cover instances of negligence, misuse, abuse, improper installation, carelessness, accident, hard water or mineral deposits, exposure to corrosive materials, misapplication, damages caused by improper maintenance, alteration of the product, or failure to follow care or installation instructions enclosed with your product. Avoid using abrasive cleaners such as powders, bleach, ammonia, alcohol, or chlorine. Avoid using abrasive pads, steel wool, or wire brushes, as these will damage and wear down the finish.

This warranty does not apply to Products that have not been installed or operated in accordance with instructions supplied by Kraus and all applicable rules, regulations, and legislation pertaining to such installations.

This warranty does not apply unless the Kraus product is installed by a fully insured and licensed trade professional. Kraus insists that such professionals have experience in the installation of bathroom and kitchen manufactured goods.

This warranty does not cover labor charges or costs of removal and reinstallation of said product. This warranty does not allow recovery of incidental or consequential damages, such as loss of use, delay, property damage, or other consequential damages, and Kraus accepts no liability for such damages.

This warranty does not cover Marine or Outdoor Installation.

Except as otherwise provided above, Kraus makes no warranties, expressed or implied, including warranties of merchantability and fitness for a particular purpose, or compliance with any code.

Shipping charges will be covered for the first (1) year of the warranted replacement part or product (HI, AK, and Puerto Rico shipping charges may apply). International shipping fees are not included.

Commercial Warranty

Kraus extends the above warranty for a period of one (1) year to purchasers of products for industrial, commercial, and business use.

All incidental or consequential damages are specifically excluded. No additional warranties, express or implied, are given, including but not limited to any implied warranty of merchantability or fitness for a particular purpose.

Some states do not allow the exclusion or limitation of incidental or consequential damages, or limitations on how long an implied warranty lasts, so the above limitations or exclusions may not apply to you.

This warranty gives you specific legal rights, and you may also have other rights which vary from state to state.

KRAUS USA has the right to change, modify, and/or update the warranty policy at any time. For the latest, most up to date comprehensive warranty, go to www.kraususa.com/warranty

If you are a homeowner please contact a Kraus Customer Service Representative at:

Kraus USA, Inc.
12 Harbor Park Drive
Port Washington, NY 11050
Toll-free 800-775-0703
Customerservice@kraususa.com

If you are a plumbing contractor or trade professional please contact a Kraus Pro Representative at:

Kraus USA, Inc.
12 Harbor Park Drive
Port Washington, NY 11050
516-801-8955
Proservice@kraususa.com

If you are an Authorized Partner please contact a Partner Support Representative at:

Kraus USA, Inc.
12 Harbor Park Drive
Port Washington, NY 11050
516-801-8954
Partnersupport@kraususa.com

In requesting warranty service, please be ready to provide:

1. Proof of purchase.
2. A description of the problem.

Download the Kraus Care & Maintenance Guide at:
<http://www.kraususa.com/maintenance>

IMPORTANT

Register Your Kraus Product

Activate Your Warranty

Access Premium Customer Support

Get Product Information

REGISTER TODAY

<http://www.kraususa.com/registration>



Kräus[®]
www.kraususa.com

Kräus[®]

INSTALLATION MANUAL

Ramus[™] Single Lever Vessel Faucet

FVS-1007

Congratulations on the purchase of your new Kraus plumbing fixture!

Please keep the box and packaging materials until your product is completely installed. If you have any questions, require technical assistance or have any problems with your product:



DO NOT RETURN TO STORE

**Please contact our Customer Service Team
1-800-775-0703 / customerservice@kraususa.com**

Have the model number available and retain a copy of your receipt with purchase date for reference.

If for any reason this product does not meet your expectations, please be sure to repack this product in the original box and packaging material to avoid damage during transit.

Prior to Installation:

- Make sure you have all necessary parts by checking the diagram and parts list. If any part is missing or damaged, please contact Kraus Customer Service at 800-775-0703 for a replacement.
- Turn off the hot and cold water supply at the angle stops and turn on the old faucet to release any built up pressure. Remove existing faucet. Clean sink or countertop to remove any debris, plumber's putty, or silicone.
- Flush angle stops to release any debris prior to installation.
- Pre-drilled hole size requirement: 1 3/8" (min)
- Max countertop thickness: 1 3/8"

For technical assistance or replacement parts, please contact Kraus Customer Service and one of our representatives will be happy to help: Toll-Free: 800-775-0703 or Customerservice@kraususa.com

Tools Required

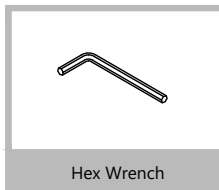
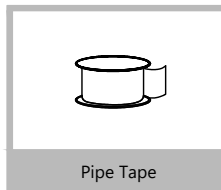
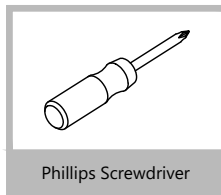
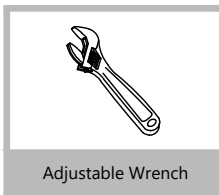
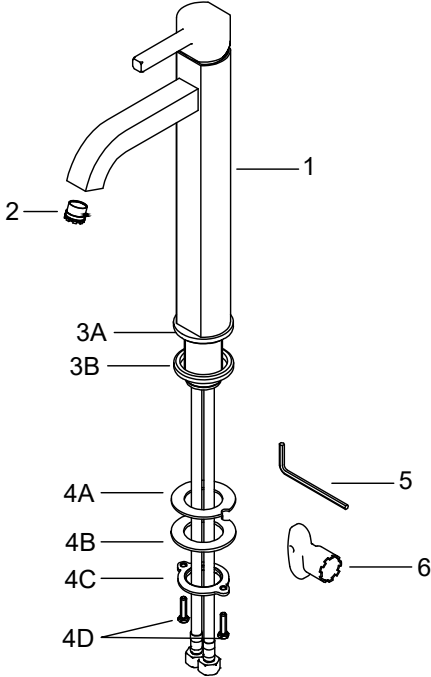
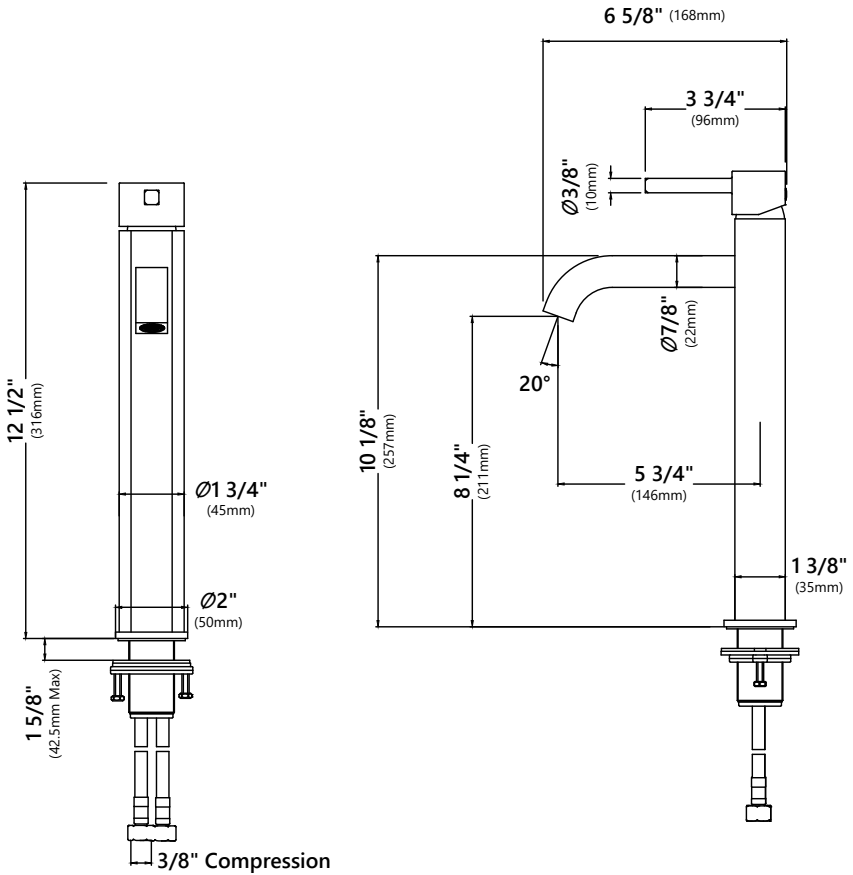


Diagram and Parts List



1. Faucet Body
2. Aerator
3. Faucet Base
 - A. Base Trim Ring
 - B. Rubber Washer
4. Mounting Hardware
 - A. Rubber Washer
 - B. Metal Washer
 - C. Mounting Nuts
 - D. Mounting Screws
5. Hex Wrench
6. Aerator Key

Faucet Dimensions

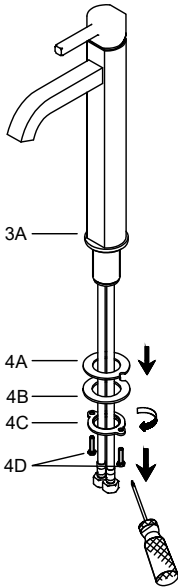


Installer Tip:

Shut off main water supply before installing new faucet.

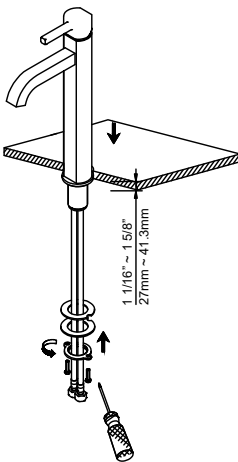
Faucet Installation Procedure

Step 1.



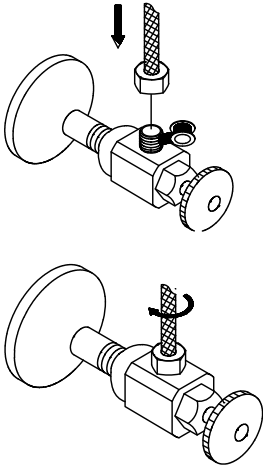
Remove rubber washer (4A), metal washer (4B), mounting nut (4C), and mounting screws (4D). Keep the base trim ring (3A) and rubber washer (3B) on the base of the faucet.

Step 2.



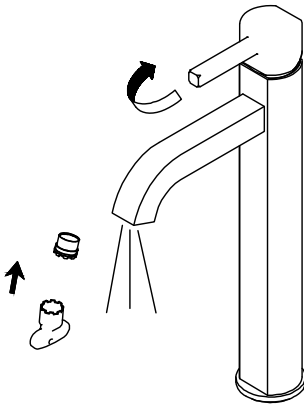
Install the faucet through the 1-3/8" predrilled hole in the countertop. Attach rubber washer (4A), metal washer (4B), mounting nut (4C), and mounting screws (4D) on the threaded mounting pipe. Tighten the mounting nut (4C) until snug. Tighten screws (4D) on the mounting nut (4C) with a Phillips head screwdriver until snug.

Step 3.



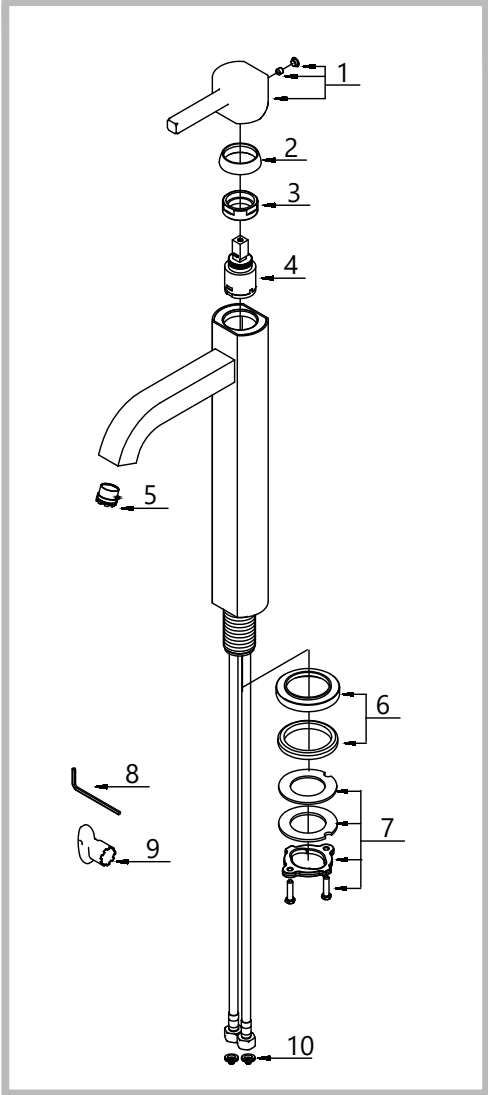
Install flex water supply lines on the angle stops and tighten with an adjustable wrench. Turn on both the cold and hot main valves. Apply pipe tape (optional).

Step 4.



After installing the faucet, remove the aerator (2) with the included aerator key (6). Turn on the water to remove any leftover debris, then reassemble the aerator (2).

Replacement Parts



Replacement Parts List	Finish/Color	Part #
1. Metal Handle	CH, SN, ORB, MB, SFS*	KP44069
2. Cartridge Cover	CH, SN, ORB, MB, SFS*	KP44070
3. Locking Nut		KP44071
4. Cartridge		KP44072
5. Aerator		KP44073
6. Base Trim Ring	CH, SN, ORB, MB, SFS*	KP44074
7. Mounting Hardware		KP44075
8. Hex Wrench 2.5mm		KP44076
9. Aerator Key		KP44077
10. Filter Washers		KP44022

*Denotes faucet component color options:

CH - Chrome

SN - Satin Nickel

ORB - Oil Rubbed Bronze

MB - Matte Black

SFS - Spot Free Stainless Steel

Trouble-Shooting

If you have followed the instructions carefully and your faucet still does not work properly, take the following corrective steps:

PROBLEM	CAUSE	ACTION
Leakage under the faucet handle	Adjusting locking nut has come loose.	Remove handle index button. Loosen set screw with hex wrench. Remove handle (by hand only). Tighten locking nut with an adjustable wrench.
Water does not shut off completely	Cartridge may be defective.	Remove handle index button. Loosen set screw with hex wrench. Remove handle (by hand only). Unscrew trim cap (by hand only). Unscrew the locking nut with an adjustable wrench. Remove ceramic disc cartridge. Check for cracks.
Aerator drips or has inconsistent water flow pattern	Aerator is dirty or not seated properly.	Unscrew aerator with aerator key and clean out debris.
Leaking between spout and body	Loose spout or damaged O-rings on connector.	Tighten set screw under the spout.

Care & Maintenance

* To keep the product clean & shining, follow the steps below:

1. Rinse with clean water & dry with a soft cloth
2. Do not clean with soaps, acid, polish, abrasives or harsh cleaners
3. Do not use cloth with a coarse surface
4. Unscrew the aerator and clean when necessary

* This installation manual is subject to change without further notice.



Codes/Standards Applicable:



NSF / ANSI 61



ASME A112.18.1
1.2GPM 4.5L/min maximum

FAUCET WARRANTY

Kraus products are manufactured and tested to the highest quality standards by Kraus USA Inc. ("Kraus").

Kraus extends this warranty to the original purchaser for personal household use of the "Faucet" in its original location. The warranty is non-transferable.

Kraus warrants the structure and finish of the product to be free from defects in material and workmanship under normal usage for the lifetime of the product. The warranty commences from the initial date of purchase by the owner or trade professional, from an authorized Kraus dealer, through the lifetime of the original owner or end-user.

Kraus warrants the mechanical components such as but not limited to sprayhead assembly (includes engine, aerators, structure, restrictors, back flow preventers, sprayer hoses, braided supply line hoses which encompasses nylon, silicon and stainless steel, etc) of the product to be free from defects in material and workmanship under normal usage for a period of one (1) year. The warranty commences from the initial date of purchase by the owner or trade professional, from an authorized Kraus dealer, through the one (1) year term of the original owner or end-user.

Kraus warrants the mechanical component (cartridge) of the product to be free from defects in material and workmanship under normal usage for a period of five (5) years. The warranty commences from the initial date of purchase by the owner or trade professional, from an authorized Kraus dealer, through the five (5) year term of the original owner or end-user.

Any product reported to the authorized dealer or to Kraus as being defective within the warranty period will be repaired or replaced with a product of equal value at the option of Kraus. This warranty extends to the original owner or end-user, and is not transferable to a subsequent owner.

RESTRICTIONS

This warranty does not cover antediluvian, discontinued, or display products, whether such items are purchased at discount outlets, unauthorized dealers, and/or sold on clearance.

This warranty does not cover instances of negligence, misuse, abuse, improper installation, carelessness, accident, hard water or mineral deposits, exposure to corrosive materials, misapplication, damages caused by improper maintenance, alteration of the product, or failure to follow care or installation instructions enclosed with your product. Avoid using abrasive cleaners such as powders, bleach, ammonia, alcohol, or chlorine. Avoid using abrasive pads, steel wool, or wire brushes, as these will damage and wear down the finish.

This warranty does not apply to Products that have not been installed or operated in accordance with instructions supplied by Kraus and all applicable rules, regulations, and legislation pertaining to such installations.

This warranty does not apply unless the Kraus product is installed by a fully insured and licensed trade professional. Kraus insists that such professionals have experience in the installation of bathroom and kitchen manufactured goods.

This warranty does not cover labor charges or costs of removal and reinstallation of said product. This warranty does not allow recovery of incidental or consequential damages, such as loss of use, delay, property damage, or other consequential damages, and Kraus accepts no liability for such damages.

This warranty does not cover Marine or Outdoor Installation.

Except as otherwise provided above, Kraus makes no warranties, expressed or implied, including warranties of merchantability and fitness for a particular purpose, or compliance with any code.

Shipping charges will be covered for the first (1) year of the warranted replacement part or product (HI, AK, and Puerto Rico shipping charges may apply). International shipping fees are not included.

COMMERCIAL WARRANTY

Kraus extends the above warranty for a period of one (1) year to purchasers of products for industrial, commercial, and business use.

All incidental or consequential damages are specifically excluded. No additional warranties, express or implied, are given, including but not limited to any implied warranty of merchantability or fitness for a particular purpose.

Some states do not allow the exclusion or limitation of incidental or consequential damages or limitations on how long an implied warranty lasts, so the above limitations or exclusions may not apply to you.

This warranty gives you specific legal rights, and you may also have other rights which vary from state to state.

KRAUS USA has the right to change, modify, and/or update the warranty policy at any time. For the latest, most up to date comprehensive warranty, go to www.kraususa.com/warranty

If you are a homeowner please contact a Kraus Customer Service Representative at:

Kraus USA, Inc.
12 Harbor Park Drive
Port Washington, NY 11050
Toll-free 800-775-0703
Customerservice@kraususa.com

If you are a plumbing contractor or trade professional please contact a Kraus Pro Representative at:

Kraus USA, Inc.
12 Harbor Park Drive
Port Washington, NY 11050
516-801-8955
Proservice@kraususa.com

If you are an Authorized Partner please contact a Partner Support Representative at:

Kraus USA, Inc.
12 Harbor Park Drive
Port Washington, NY 11050
516-801-8954
Partnersupport@kraususa.com

In requesting warranty service, please be ready to provide:

1. Proof of purchase.
2. A description of the problem.

Download the Kraus Care & Maintenance Guide at:
<http://www.kraususa.com/maintenance>

IMPORTANT

Register Your Kraus Product

Activate Your Warranty

Access Premium Customer Support

Get Product Information

REGISTER TODAY

<http://www.kraususa.com/registration>



Kräus[®]
www.kraususa.com

TROUBLE - SHOOTING

If you have followed the instructions carefully and your faucet still does not work properly, take the following corrective steps

PROBLEM	CAUSE	ACTION
Drain is leaking	Washers may be compromised or installed incorrectly	Check washers to make sure they are installed correctly and not cracked

KRAUS LIFETIME LIMITED WARRANTY

Kraus products are manufactured and tested to the highest quality standards by Kraus USA Inc. ("Kraus").

Kraus extends this warranty to the original purchaser for personal household use of the "**Bathroom Accessories**" in their original location. The warranty is non-transferable.

Kraus warrants the structure and finish of the product (**Bathroom Accessories**) to be free from defects in material and workmanship under normal usage for a period of one (1) year. The warranty commences from the initial date of purchase by the owner or trade professional, from an authorized Kraus dealer, through the lifetime of the original owner or end-user.

Any product reported to the authorized dealer or to Kraus as being defective within the warranty period will be repaired or replaced with a product of equal value at the option of Kraus. This warranty extends to the original owner or end-user, and is not transferable to a subsequent owner.

RESTRICTIONS

This warranty does not cover antediluvian, discontinued, or display products, whether such items are purchased at discount outlets, unauthorized dealers, and/or sold on clearance.

This warranty does not cover instances of negligence, misuse, abuse, improper installation, carelessness, accident, hard water or mineral deposits, exposure to corrosive materials, misapplication, damages caused by improper maintenance, alteration of the product, or failure to follow care or installation instructions enclosed with your product. Avoid using abrasive cleaners such as powders, bleach, ammonia, alcohol, or

chlorine. Avoid using abrasive pads, steel wool, or wire brushes, as these will damage and wear down the finish.

This warranty does not apply to Products that have not been installed or operated in accordance with instructions supplied by Kraus and all applicable rules, regulations, and legislation pertaining to such installations.

This warranty does not apply unless the Kraus product is installed by a fully insured and licensed trade professional. Kraus insists that such professionals have experience in the installation of bathroom and kitchen manufactured goods.

This warranty does not cover labor charges or costs of removal and reinstallation of said product. This warranty does not allow recovery of incidental or consequential damages such as loss of use, delay, property damage, or other consequential damages, and Kraus accepts no liability for such damages.

This warranty does not cover Marine or Outdoor Installation.

Except as otherwise provided above, Kraus makes no warranties, expressed or implied, including warranties of merchantability and fitness for a particular purpose, or compliance with any code.

Shipping charges will be covered for the first (1) year of the warranted replacement part or product (HI, AK, and Puerto Rico shipping charges may apply). International shipping fees are not included.

COMMERCIAL WARRANTY

Kraus extends the above warranty for a period of one (1) year to purchasers of products for industrial, commercial and business use.

All incidental or consequential damages are specifically excluded. No additional warranties, express or implied are given, including but not limited to, any implied warranty of merchantability or fitness for a particular purpose.

Some states do not allow the exclusion or limitation of incidental or consequential damages, or limitations on how long an implied warranty lasts, so the above limitations or exclusions may not apply to you.

This warranty gives you specific legal rights, and you may also have other rights which vary from state to state.

If you are a homeowner please contact Kraus Customer Service Representative at:

Kraus USA, Inc.
12 Harbor Park Drive
Port Washington, NY 11050
Toll-free 800-775-0703
Customerservice@kraususa.com

If you are a plumbing contractor or trade professional please contact a Kraus Pro Representative at:

Kraus USA, Inc.
12 Harbor Park Drive
Port Washington, NY 11050
516-801-8955
Proservice@kraususa.com

If you are an Authorized Partner please contact a Partner Support Representative at:

Kraus USA, Inc.
12 Harbor Park Drive
Port Washington, NY 11050
516-801-8954
Partnersupport@kraususa.com

In requesting warranty service, please be ready to provide:

1. Proof of purchase.
2. A description of the problem.

Kräus®

INSTALLATION GUIDE

POP-UP DRAIN PU-10 / PU-L10

Thank You For Purchasing Kraus

We would like to take this opportunity to thank you for your business with Kraus USA. It is our sincere hope that you are completely satisfied with your experience. We welcome any questions or comments you may have, and will be glad to assist you in the future.

For more information about Kraus products, please visit our website at:

www.kraususa.com

Please register your new Kraus product at the following web address in order to activate the warranty and receive the full benefit of customer support:

www.kraususa.com/registration

Sincerely,

Kraus Customer Service

Prior to Installation:

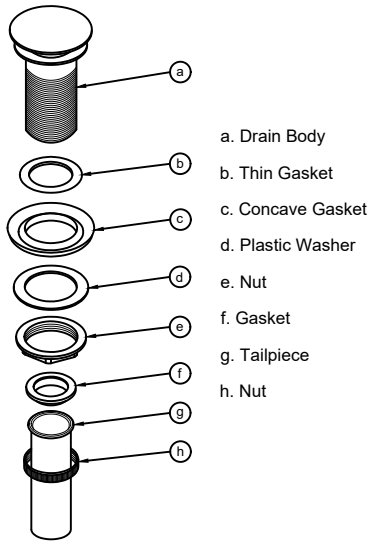
Make sure you have all necessary parts by checking the diagram and parts list.

If any part is missing or damaged, please contact Kraus Customer Service at 800-775-0703 for a replacement.

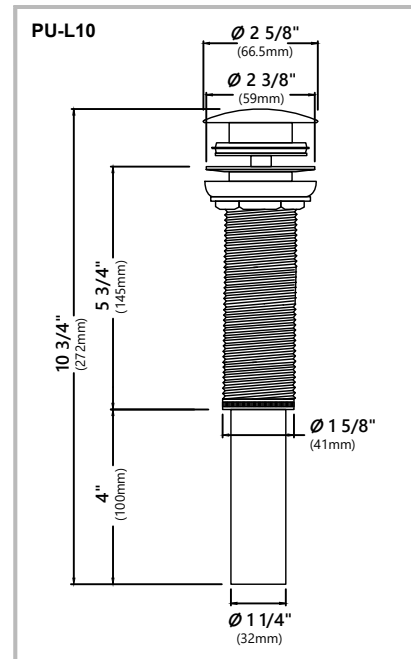
Kräus®

www.kraususa.com

PU-10 DIAGRAM AND PARTS LISTS

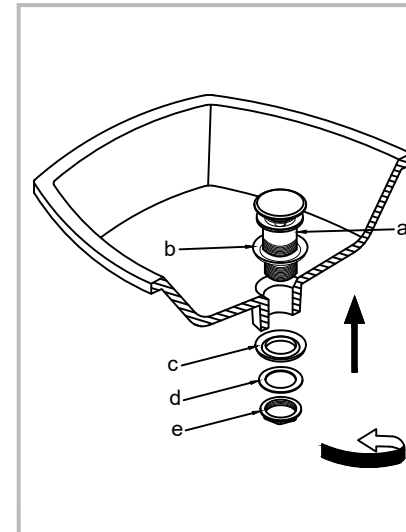


DIMENSIONS



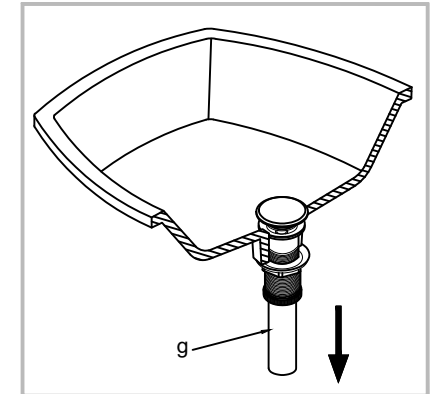
STEP 2

Install drain body (a), with rubber washer (b) attached, into the drain hole. From underneath, attach concave washer (c) (narrow end up), plastic washer (d) and mounting nut (e) to drain body (a).

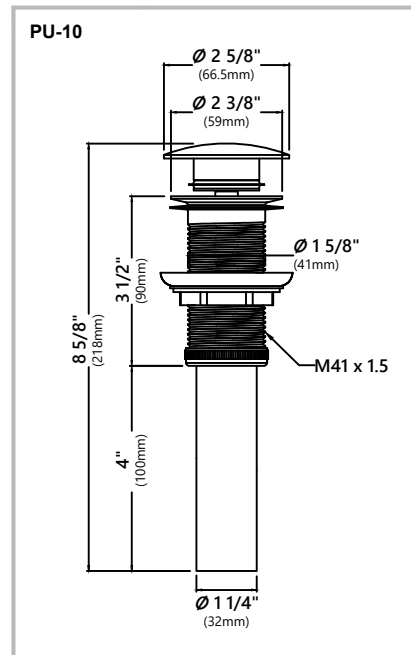


STEP 4

Connect tailpipe (g) to p-trap.

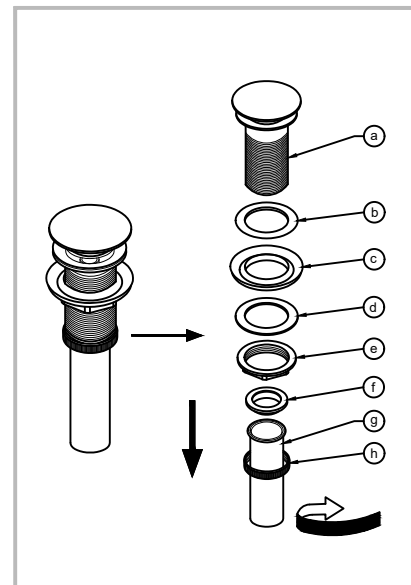


DIMENSIONS



STEP 1

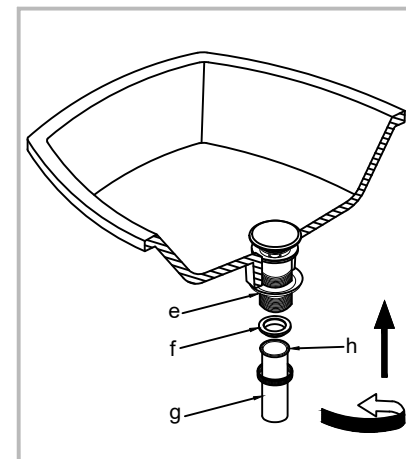
Remove connector (h), tail pipe (g), mounting nut (e), plastic washer (d) and concave washer (c) from drain body (a).



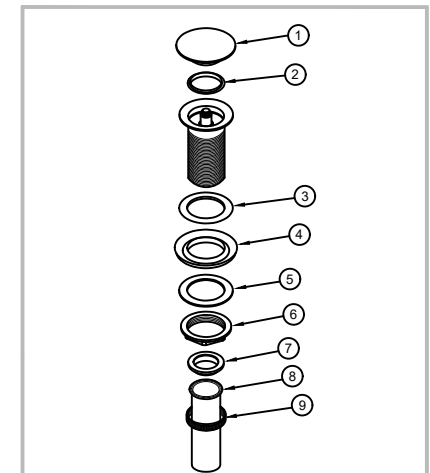
STEP 3

Tighten mounting nut (e) with adjustable wrench until snug. Thread connector (h) with tailpipe (g) attached, onto drain body (a) and hand-tighten.

Installer Tip: Make sure tailpipe washer (f) is installed in tailpipe



REPLACEMENT PART LIST



Replacement Part	Finish	Part #
1. Drain Cap	BG,CH,MB,SN,ORB	KP08001
2. Gasket		KP08002
3. Thin Gasket		KP08003
4. Concave Gasket		KP08004
5. Plastic Washer		KP08005
6. Nut	BG,CH,MB,SN,ORB	KP08006
7. Gasket		KP08007
8. Tailpiece	BG,CH,MB,SN,ORB	KP08008
9. Nut	BG,CH,MB,SN,ORB	KP08009

CARE & MAINTENANCE

- * To keep the product clean & shining, follow the steps below:
1. Rinse with clean water & dry with a soft cloth.
 2. Do not clean with soaps, acid, polish, abrasives or harsh cleaners.
 3. Do not use cloth with a coarse surface.
- *This installation manual is subject to change without notice