

# CRYSTORAMA

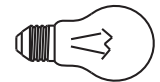
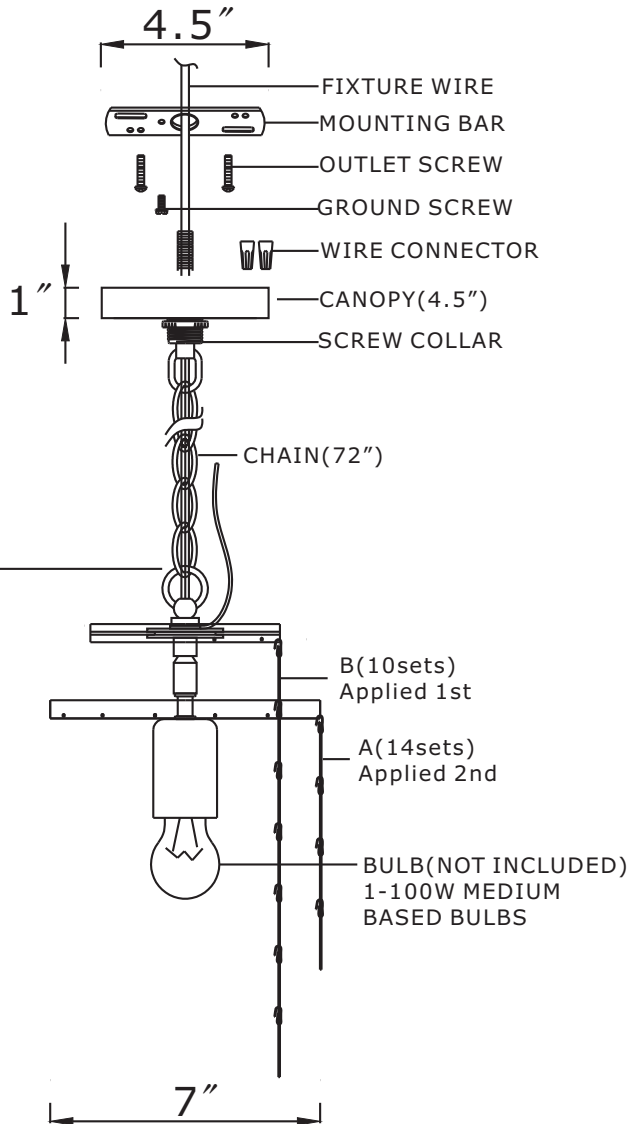
95 Cantiague Rock Road, Westbury NY 11590 | P: 800.888.4470 | F: 516.931.1254 | info@crystorama.com | CRYSTORAMA.com

## MODEL#: **BRI-3000-SA** ASSEMBLY AND DRESSING INSTRUCTIONS



**WARNING**  
Electrical Danger Turn Power off

All electrical components must be installed by a licensed electrician in accordance with the National Electric Code and the appropriate local electrical codes



You will need 1 Med, Bulb  
60 Watts Recommended  
100 Watts Max  
Bulb not included  
USE LED FOR EXTENDED USE

A: 13SETS CAPIZ SHELLS-40MM-4PCS SHELLS

B: 9SETS CAPIZ SHELLS-40MM-7PCS SHELLS

5SPARE 2 HOLE CAPIZ SHELLS

2SPARE 1 HOLE CAPIZ SHELLS