



- Parts List:**
- (1) Hardware pack
 - (2) Leg
 - (1) Front brace
 - (1) Back brace
 - (1) Seat assembly
 - (2) Arm rest
 - (1) Back assembly

TOOLS REQUIRED



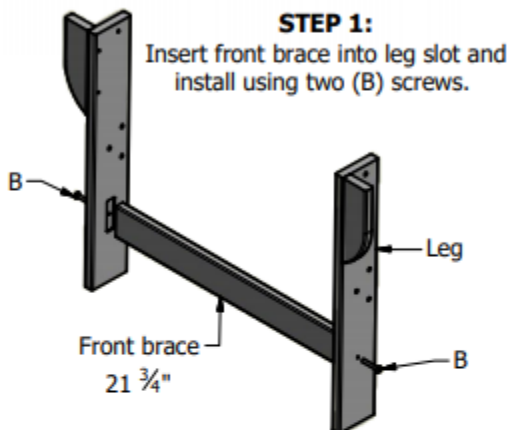
Allen Wrench
Included

Phillips Screw-Driver
Not included

Note:

Do not use an impact driver to install hardware. Use battery operated drill or provided Allen wrench

- (4) A - 1/4-20 x 2-3/8" Lag screw
- (4) B - 1-1/2" Phillips screw
- (2) C - 1/4-20 x 1-1/2" Machine screw
- (6) D - 1/4-20 x 1-1/4" Machine screw



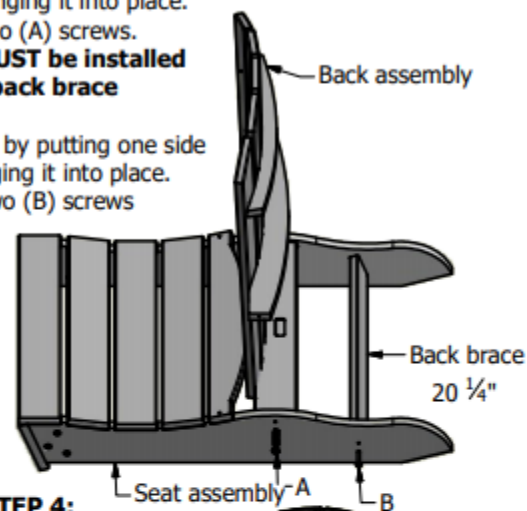
STEP 1:

Insert front brace into leg slot and install using two (B) screws.

STEP 2:
Lay seat frame on the ground. Install the back frame by putting one side into the slot and swinging it into place.

Install using two (A) screws.
Back assembly MUST be installed before the back brace

Install the back brace by putting one side into slot and swinging it into place. Install using two (B) screws



STEP 4:

Install the arm rests on to the chair using two (A) screws and two (C) screws.

STEP 3:
Install the leg assembly on to the seat frame using six (D) screws.

