

Care and Maintenance

Dust with a soft, dry cloth. Do not use abrasive cleaner. To clean mirror, spray a small amount of glass cleaner onto a lint-free cloth and wipe mirror clean.








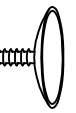
Notice

* Please make sure that you have all parts indicated before you begin assembly of this item.

* This item should be assembled on a soft surface to prevent scratching the finish during assembly

* This item may require periodic tightening

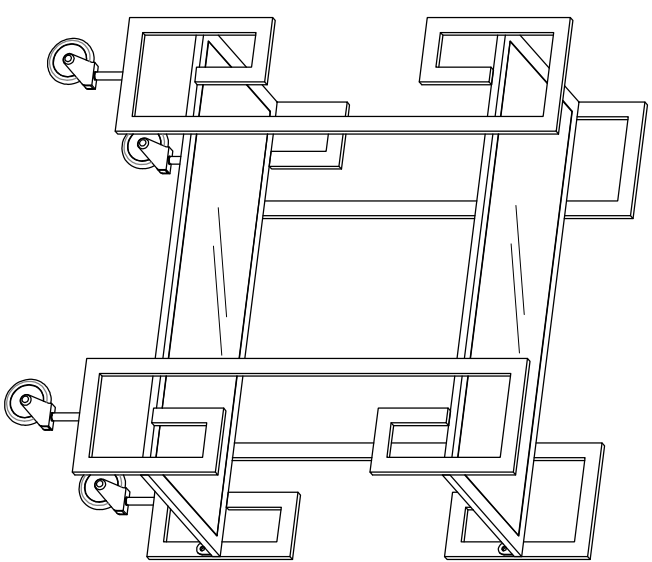
Part List and Hardware List

PIECE	DESCRIPTION	PICTURE	QUANTITY	PIECE	DESCRIPTION	PICTURE	QUANTITY
A	Glass Frame		2X	E	Allen wrench		1X
B	Glass		2X	F	Bolt		16X
C	Left side piece		2X	G	Wheel		4X
D	Right side piece		2X	H	Suction Cup		8X


SAFAVIEH
FURNITURE

MODEL# BCT8005A

Product Dimensions: 31.5" W x 16.02" D x 35.63" H



WEIGHT CAPACITY: 22LBS

Preparation

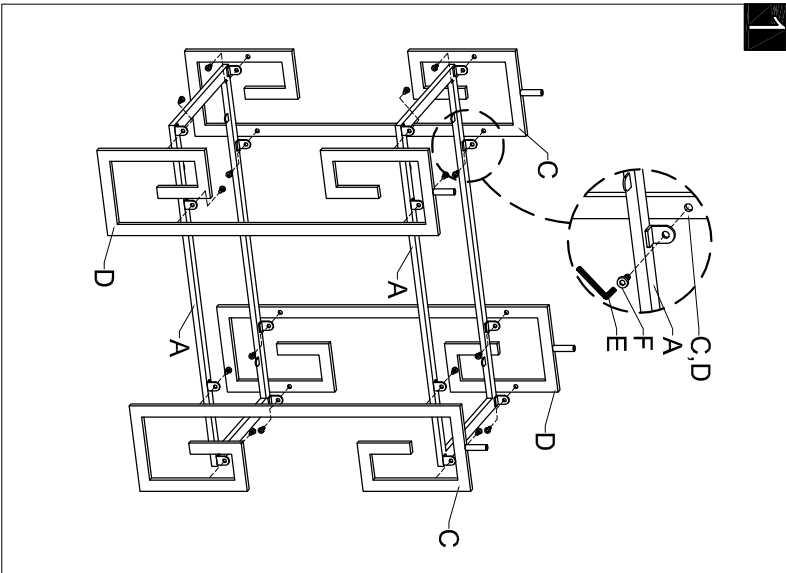
Before beginning assembly of product, make sure all parts are present. Compare parts with package contents list and hardware contents list.

If any part is missing or damaged, do not attempt to assemble the product.

Estimated Assembly Time: 30 minutes.

Tools Required for Assembly (included): Assembly Fininal

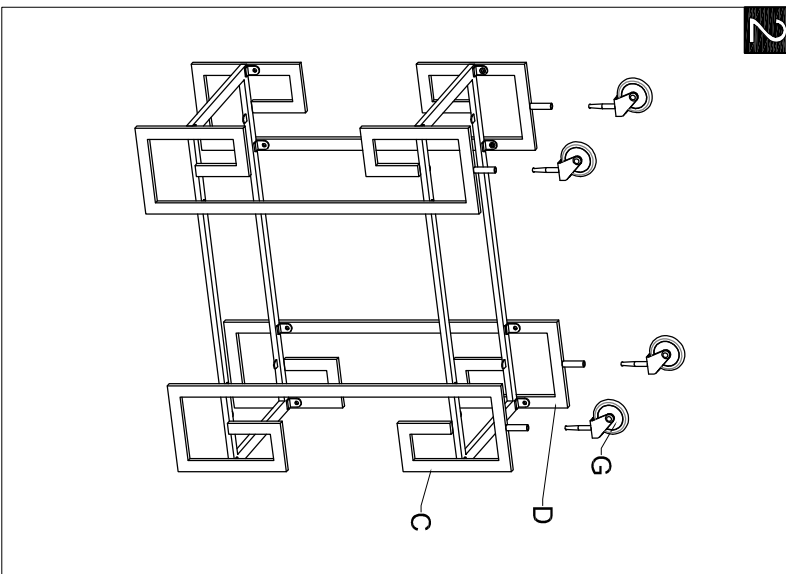
1



Step 1

Assemble glass frame (A) to left side piece (C) and right side piece (D) with bolt (F) by use of Allen wrench (E) as shown in drawing. Then tighten up all bolts now.

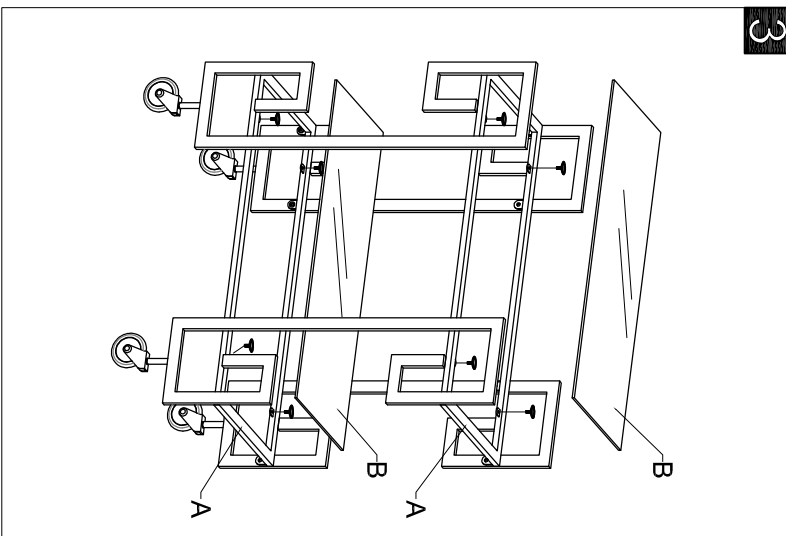
2



Step 2

Insert wheel (G) into the tube end of left side piece (C) and right side piece (D) as shown in drawing.

3



Step 3

Place the suction cup (H) on the tabs of glass frame (A) and insert glass (B) into the glass frames as shown in drawing.