

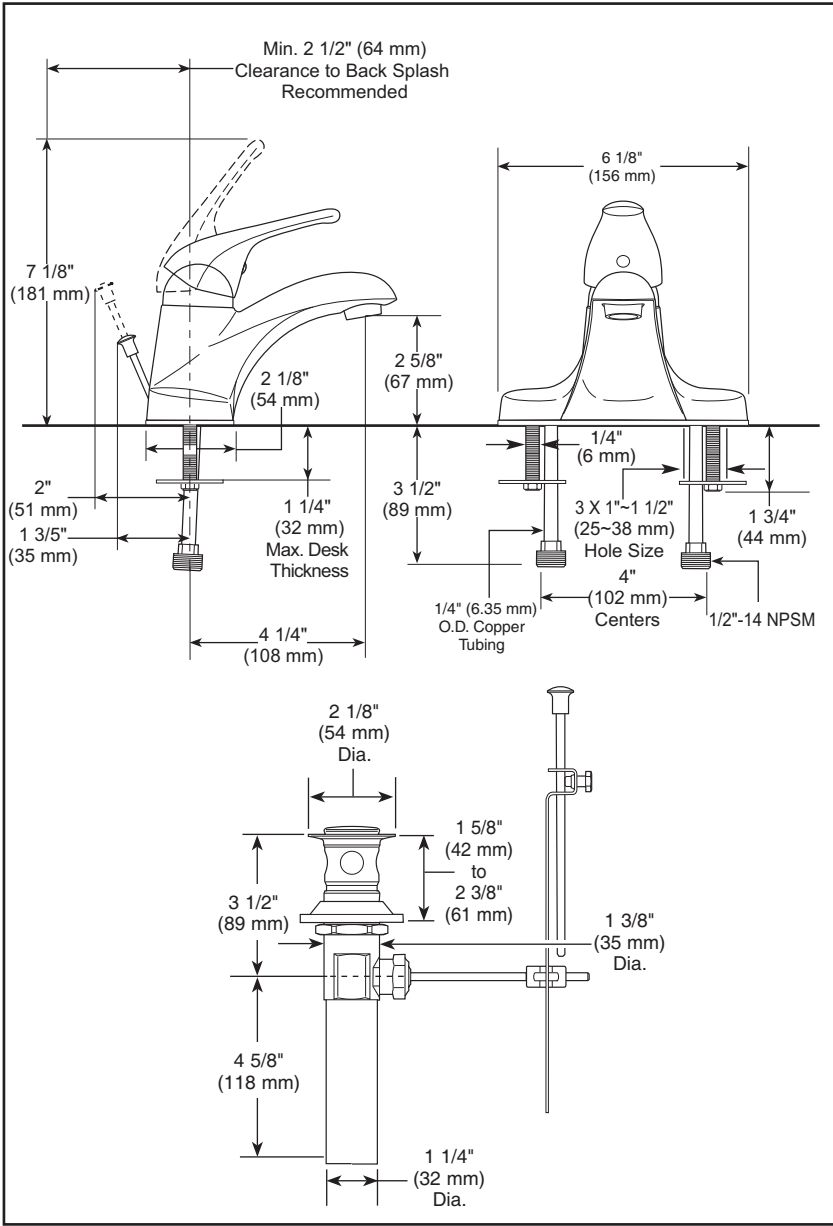
LAVATORY FAUCETS

- Single Handle Deck Mount
- 3 Hole Sink Applications
- 4" Centerset

Submitted Model No.: _____
 Specific Features: _____

STANDARD SPECIFICATIONS

- Solid brass fabricated body.
- Single handle lavatory faucets for exposed mounting on 3 hole sinks with 4" centers.
- 4" (102 mm) centerset.
- 4 1/4" (108 mm) long spout.
- All operating parts shall be replaceable from the top.
- Lever handle. Control mechanism is the rotating stainless steel ball type with replaceable non-metallic seats.
- Control handle shall return to neutral position when valve is turned off.
- Models have 1/4" O.D. copper supply tubes - 3 1/2" (89 mm) long with 1/2"-14 NPSM adapters.
- Models include metal pop-up type fitting with plated metal flange and stopper cap.
- Maximum flow rate 1.5 gpm @ 60 PSI.



WARRANTY

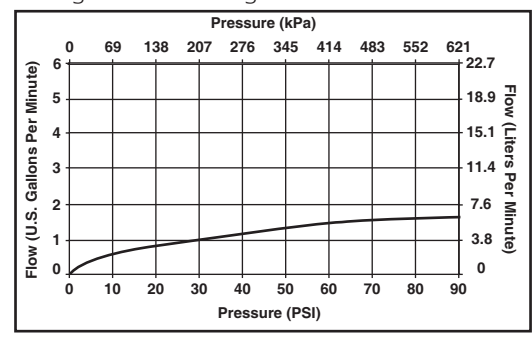
- Lifetime Faucet and Finish Limited Warranty to the Original consumer purchaser to be free from defects in material and workmanship.
- 5 Year Limited Warranty for usage in all Industrial, Commercial and business applications.



COMPLIES WITH

- ASME A112.18.1 / CSA B125.1
- ASME A112.18.2 / CSA B125.2
- ♿ Indicates compliance to ICC / ANSI A117.1
- EPA WaterSense
- CSA Certified

Verified compliant with 0.25% weighted average Pb content regulations.



▲ Designate proper finish suffix



55 E. 111th Street, Indianapolis, Indiana 46280
 395 Matheson Blvd. E., Mississauga, On L4Z 2H2
 © 2009 Masco Corporation of Indiana

Delta reserves the right (1) to make changes in specifications and materials, and (2) to change or discontinue models, both without notice or obligation. Dimensions are for reference only. See full-line price book or www.specselect.com for finish options and product availability.