

Installation Instructions

B23

For Direct-Wire Wall-Mounted Fixtures

CAUTION: FAILURE TO INSTALL THIS FIXTURE PROPERLY MAY RESULT IN SERIOUS PERSONAL INJURY OR DEATH AND PROPERTY DAMAGE. We recommend installation by a licensed electrician.

This product must be installed in accordance with applicable installation code(s), by a person familiar with the construction and operation of the product and the hazards involved.*

Caution: Do not exceed maximum wattage noted on fixture. Use only recommended bulbs with fixture.

For fixtures requiring assembly, please refer to assembly instructions before installation.

Please Note: This fixture is designed to be mounted on a standard wall surface and may not be suitable for all applications. If installing in a non-wood frame application, we recommend consulting a qualified builder or electrician.

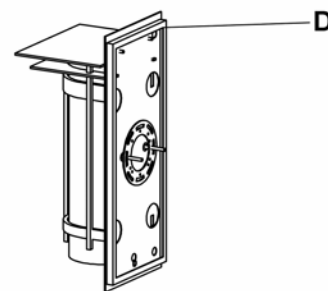
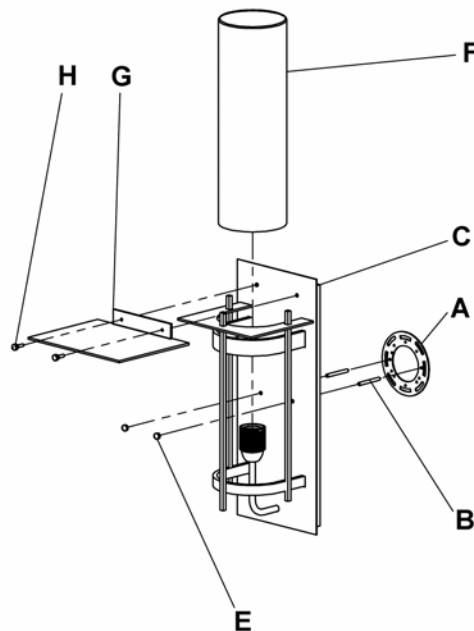
Component Parts

A Crossbar	F Glass
B Threaded Studs (2)	G Aluminum Top Plate
C Fixture	H Knurled Screw (1 or 2, depending on fixture style)
D Caulking Lip	
E Knurled Balls (2)	

To Install

Caution: Be sure power is off at the main breaker box prior to installation.

1. Carefully unpack the fixture from the carton.
2. Using two machine screws (not provided) attach cross bar (A) to the electric box.
Note: A new electric box comes with screws. When replacing a fixture, retain the screws for use with the new fixture.
3. Start the threaded studs (B) into the crossbar.
4. Using suitable wire connectors (not provided), connect the fixture wires to the supply wires, (white to white, black to black, bare copper or green to bare copper or green). If the fixture is wired with twin lead lamp cord, connect the ribbed side to white, and the smooth side to black.
Caution: Make sure wire connectors are twisted on securely and no bare wires are exposed.
5. Apply a generous bead of a suitable caulking material to the caulking lip (D) on the fixture.
6. Carefully tuck all wires behind the fixture, place fixture firmly against the wall and fasten knurled balls (E).
7. Install light bulb(s) (not provided), and glass (F).
8. Place top plate (G) over glass and against back of fixture. Secure using knurled screw(s) (H)
9. Restore electricity at the main breaker.



These illustrations represent a typical fixture and may not match every style.

If you need further assistance, or find that you are missing any parts, please contact the dealer from which you purchased this product. We hope you enjoy your fixture!

* Hubbardton Forge will not be liable for injury or damage caused by improper installation, lamping or use of this fixture.