



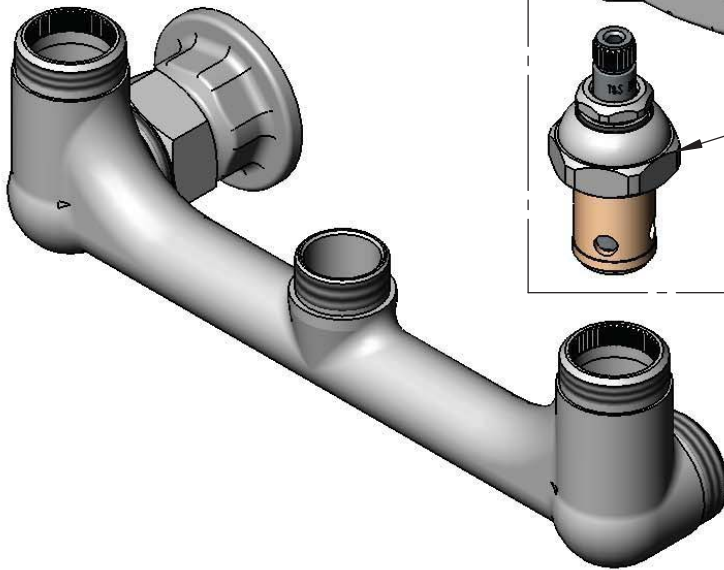
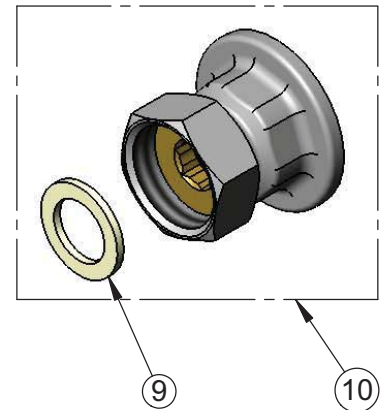
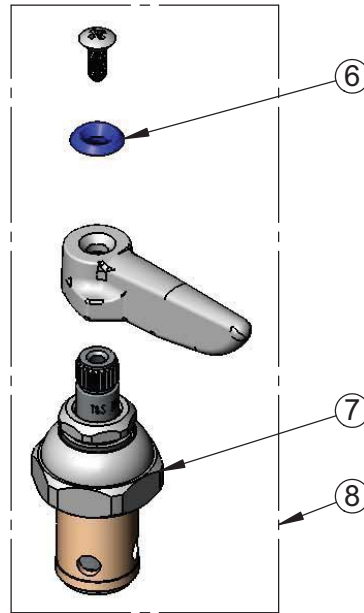
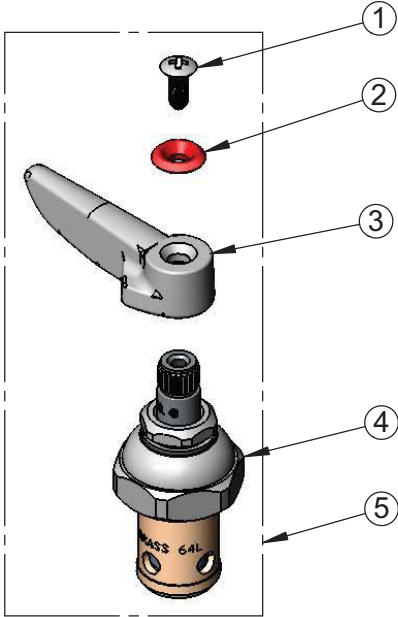
**T&S BRASS AND BRONZE WORKS, INC.**  
 2 Saddleback Cove / P.O. Box 1088  
 Travelers Rest, SC 29690

Model No.  
**B-0230-LN**

Item No.

Travelers Rest, SC: 800-476-4103 • Simi Valley, CA: 800-423-0150 • Fax: 864-834-3518 • www.tsbrass.com

ITEM NO.	SALES NO.	DESCRIPTION
1	000922-45	Lever Handle Screw
2	001661-45	Red Index-HW
3	001638-45	Lever Handle
4	005960-40	Eterna Cartridge, RTC
5	002714-40	Eterna Cartridge, LTC w/ Handle, Index & Screw
6	001660-45	Blue Index-CW
7	005959-45	Eterna Cartridge, LTC
8	002713-40	Eterna Cartridge, LTC w/ Handle, Index & Screw
9	001019-45	Coupling Nut Washer
10	00AA	1/2" NPT Female Eccentric Flange



Product Specifications:  
 8" Wall Mount Mixing Faucet, Eterna Cartridges, Lever Handles  
 & 1/2" NPT Female Inlets, Less Nozzle

Product Compliance:  
 ASME A112.18.1 / CSA B125.1  
 NSF 61 - Section 9  
 NSF 372 (Low Lead Content)  
 ANSI A117.1 (ADA)