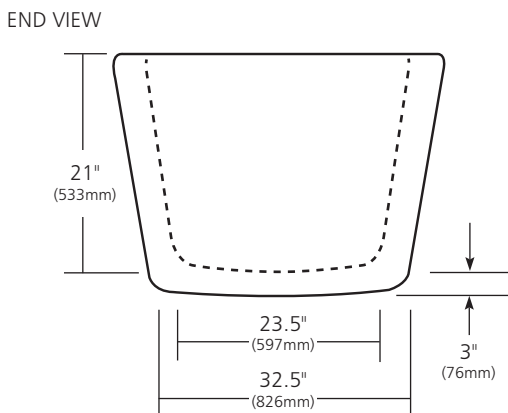
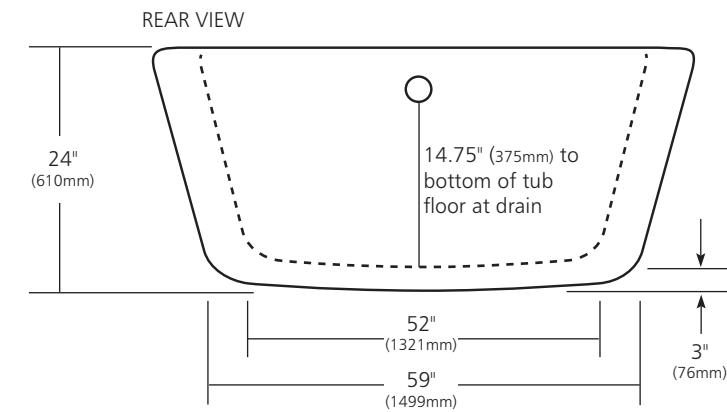
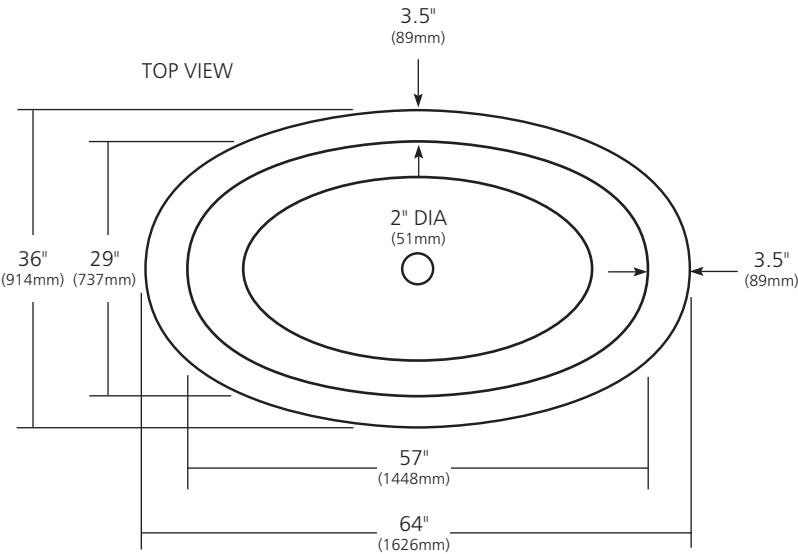


SPECIFICATIONS

ASPEN



CPS802- Antique
CPS805- Brushed Nickel

PRODUCT DETAILS

- 64" x 36" x 24" OD (1626mm x 914mm x 610mm)
- 57" x 29" x 21" ID (1448mm x 737mm x 533mm)
- Hand hammered 16 gauge recycled copper
- 2" (51mm) drain opening
- Dimensions are not exact and may vary $\pm 1/2"$ (13mm)
- 163lbs (73.9kg)

*This product may be customized.
See nativetrails.net/customization for details.*

INSTALLATION

- Freestanding bathtub

COORDINATING PRODUCTS

- Trip Lever Bath Waste & Overflow: DR300

STANDARDS COMPLIANCE

- UPC/cUPC compliant

IMPORTANT

Due to the handcrafted nature of this product, it will vary in finish, texture, hammering, and other details. Dimensions may vary up to 1/2" (13mm). We strongly recommend waiting for the actual product before making any installation cuts.