



4700 W. 160th St.
Cleveland, OH 44135
PH:800-321-9532
FX:800-321-9535
www.oatey.com

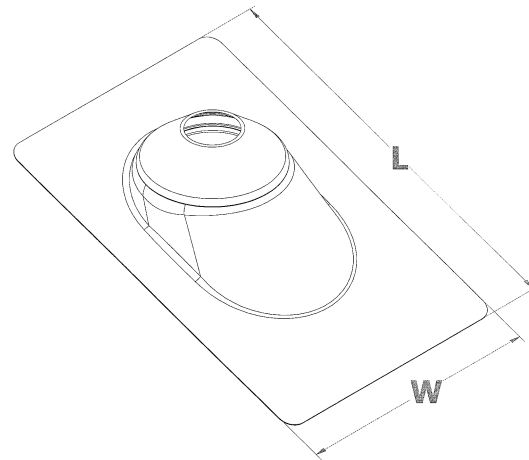
TECHNICAL SPECIFICATION

**ALUMINUM BASE
NO-CALK®
ROOF FLASHINGS**



Engineering Specification: Oatey Aluminum Base No-Calk Roof Flashings can be used in commercial and residential applications where a watertight seal for roof penetrations around the plumbing vent pipe is required.

Job Reference



(All dimensions in inches)

- ◆ Aluminum Roof Flashing slides over DWV pipe for pitch to 40°
- ◆ Made of stamped aluminum
- ◆ Non-fading sealing collar
- ◆ Approved for Type B installations
- ◆ Not for hot-mopped or built-up roofs
- ◆ Do not use paint or petroleum based products on rubber collars

✓	Product No.	Description	Length (L)	Width (W)	PACK	CARTON WEIGHT
	11832	1/2" - 1" Aluminum No-Calk Roof Flashing - Solar	12-1/2	9	12	6 lbs.
	11833	1/2" - 1" Aluminum No-Calk Roof Flashing - Solar	18	18	12	12 lbs.
	12920	1-1/4" - 1-1/2" Aluminum No-Calk Roof Flashing	12-1/2	9	12	6 lbs.
	12923	1-1/4" - 1-1/2" Aluminum No-Calk Roof Flashing	12-1/2	9	6	3 lbs.
	12933	2" Aluminum No-Calk Roof Flashing	12-1/2	9	12	6 lbs.
	12936	2" Aluminum No-Calk Roof Flashing	12-1/2	9	6	3 lbs.
	12946	3" Aluminum No-Calk Roof Flashing	14-1/2	11	12	7 lbs.
	12949	3" Aluminum No-Calk Roof Flashing	14-1/2	11	6	4 lbs.
	12959	4" Aluminum No-Calk Roof Flashing	15	12	12	13 lbs.
	12958	4" Aluminum No-Calk Roof Flashing	15	12	6	6 lbs.
	12836	1-1/4" - 1-1/2" Large Base Aluminum No-Calk Roof Flashing	18	18	12	14 lbs.
	12849	2" Large Base Aluminum No-Calk Roof Flashing	18	18	12	15 lbs.
	12852	3" Large Base Aluminum No-Calk Roof Flashing	18	18	12	20 lbs.
	12865	4" Large Base Aluminum No-Calk Roof Flashing	18	18	12	21 lbs.



IAPMO Listed



Data is subject to manufacturing tolerances.