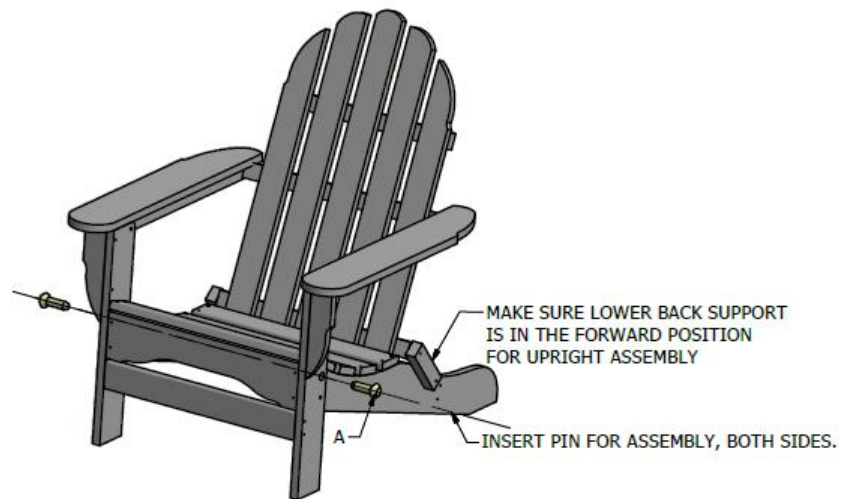
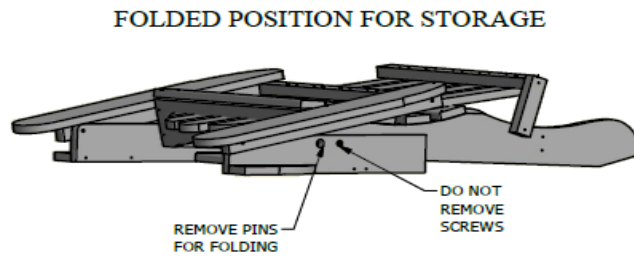
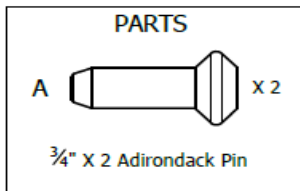




The Adirondack Chair

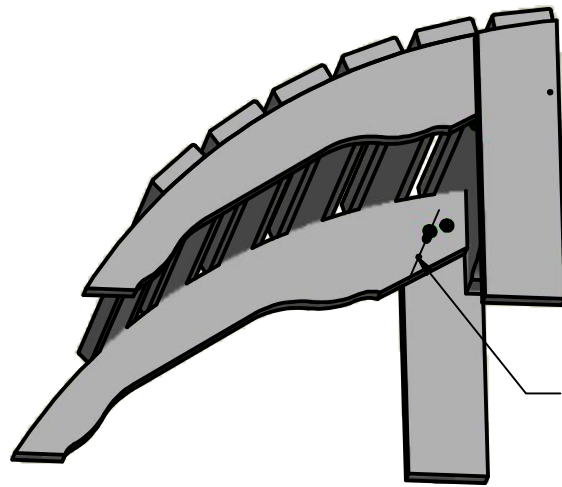
Assembly Instructions



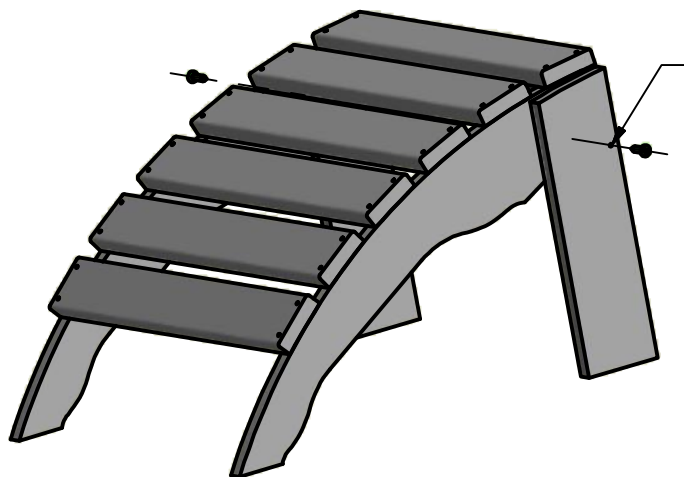
ASSEMBLY FOR UPRIGHT POSITION



STEP 1
Rotate legs to down position



STEP 2
Insert (1) 1-1/4" screw to the
inside of both front legs



STEP 3
Insert (1) 1-1/4" screw to the
outside of both front legs

Tools needed:
Phillips screwdriver
(4) - 1-1/4" Phillips wood screws (included)