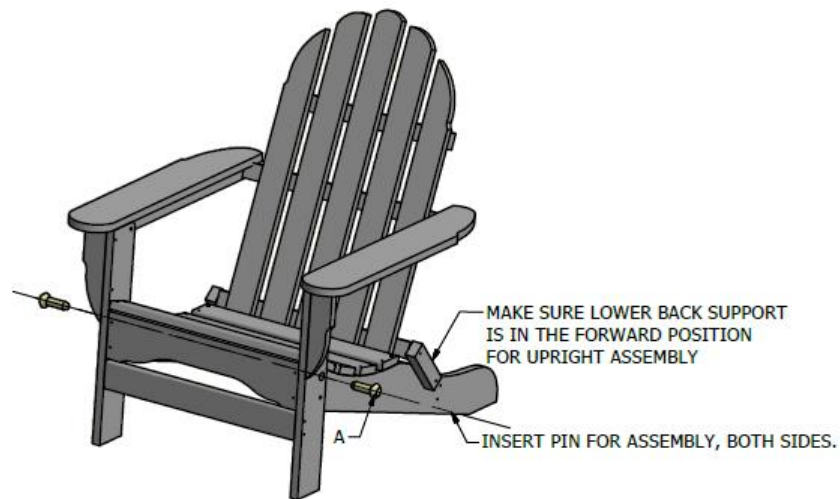
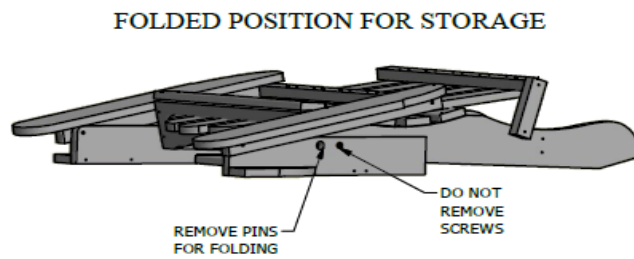
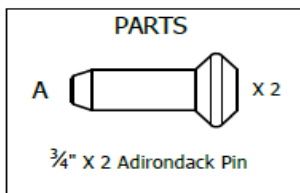




The Adirondack Chair

Assembly Instructions

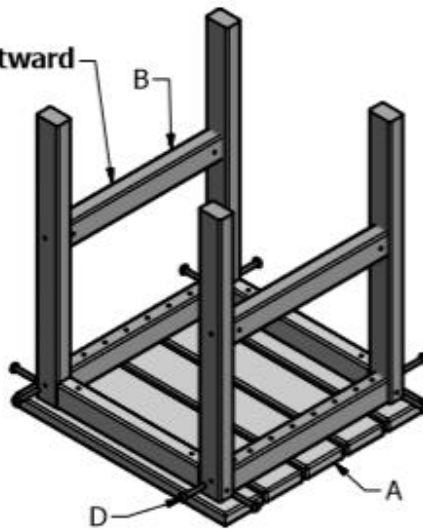


ASSEMBLY FOR UPRIGHT POSITION

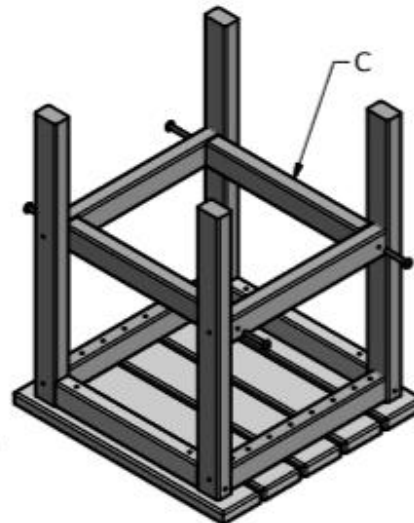


Step 1:
Lay tabletop upside down and attach leg assemblies using (8) 2" screws
Note: Do not fully tighten screws

Make sure braces are facing outward



Step 2:
Loosely attach braces using the remaining (4) 2" screws
Next, turn table upright and tighten all screws



Included Items:

- A. (1) Table top assembly
- B. (2) Leg assemblies
- C. (2) Leg cross braces
- D. (12) 2" Phillip head screws

Tools Needed:

Phillips screwdriver