

SPECIFICATION SUBMITTAL SHEET



“Classic” Tubular Brass Waste & Overflow

Job Name: _____ **Contractor:** _____
Job Location: _____ **Approval:** _____
Engineer: _____ **Contractor’s PO#:** _____
Approval: _____ **Representative:** _____

“Classic” Brass Waste & Overflow

17GA or 20GA Tubular Brass

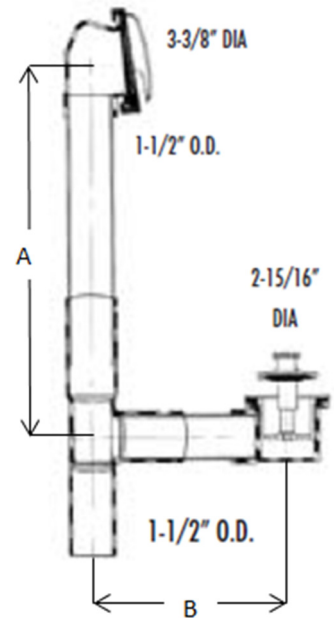
“Classic” Testable overflow elbow and locknut

“Classic” Overflow Plate

Brass Strainer

Touch-Toe Stopper

Available for tubs 14” to 16” high and Extra long for tubs up to 24” high



Select Part# Below for Style/Size/Finish of Product Specified:

√	Qty	AB&A Part #	Material	Size	Finish	Dim. A (inches)		Dim. B (inches)	
						Min.	Max.	Min.	Max.
		14511	20Ga Brass	1-1/2"	Chrome Plated	12-9/16"	15-3/16"	6-1/16"	7-1/2"
		14512-XX	20Ga Brass	1-1/2"	Special Finish*	12-9/16"	15-3/16"	6-1/16"	7-1/2"
		14515	20Ga Brass	1-1/2"	Chrome Plated	20-9/16"	23-3/16"	11-1/16"	12-1/2"
		14516-XX	20Ga Brass	1-1/2"	Special Finish*	20-9/16"	23-3/16"	11-1/16"	12-1/2"

*Add Suffix for Special Finish

For 17GA kits add “-17GA” to part number

