

COMPONENT PARTS

A	Fixture
B	Fixture Pipe Assembly
C	Fixture Coupling
D	Canopy Ring
E	Canopy
F	Threaded Nipple
G	Lock Nut
H	Crossbar (Fixed Height)
I	Ground Screw
J	Fixture Pipe
K	Safety Cable
L	Canopy Pipe
M	Swivel
N	Clutch
O	Plastic Sleeve
P	Set Screw
Q	Crossbar (Adjustable Height)
R	Gripper
S	Flat Head Screw
T	Crystals (16)
U	Slot
V	Fixture Arm
W	Spring Clip

CAUTION: FAILURE TO INSTALL THIS FIXTURE PROPERLY MAY RESULT IN SERIOUS PERSONAL INJURY OR DEATH AND PROPERTY DAMAGE. We recommend installation by a licensed electrician. This product must be installed in accordance with applicable installation code(s), by a person familiar with the construction and operation of the product and the hazards involved.*

CAUTION: Do not exceed maximum wattage noted on fixture. Use only recommended bulbs with fixture.

Please Note: After installation extra hardware and accessories are possible; our kits are used on multiple products.

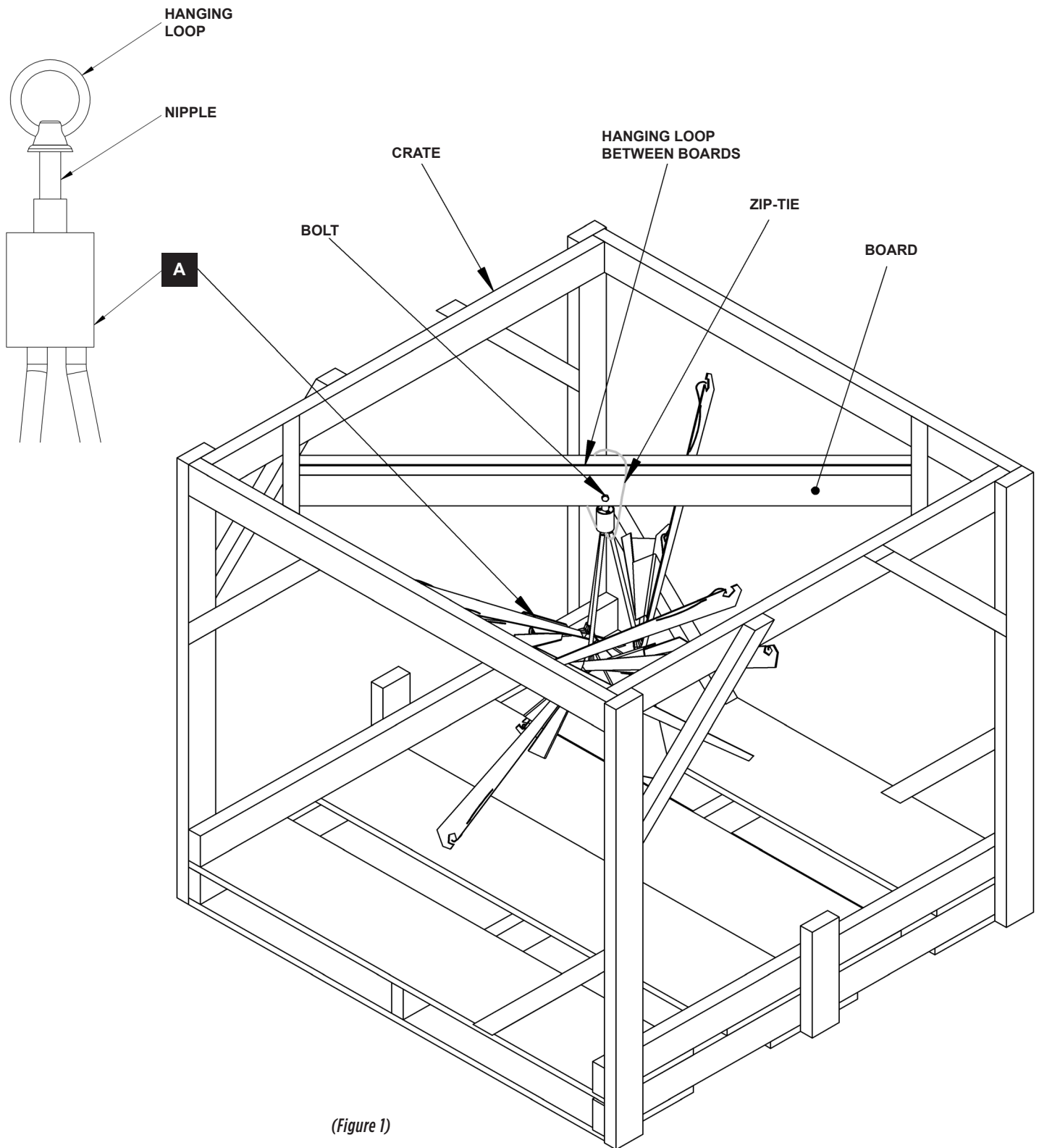
TO UNBOX THE FIXTURE (Figure 1, following page)

CAUTION: BE SURE POWER IS OFF AT THE MAIN BREAKER BOX PRIOR TO INSTALLATION.

1. Fixture (A) is shipped in a crate.
2. Remove cardboard from the outside of the crate.
3. Fixture is shipped with a nipple and hanging loop installed in it. The hanging loop will be supported by a bolt through the crate.
4. While supporting fixture, carefully remove the nut and washers that are holding the bolt into the wood boards. Remove the bolt.

CAUTION: REMOVING THE BOLT WILL ALLOW FIXTURE TO DROP, BE SURE TO SECURE FIXTURE WHILE REMOVING THE BOLT.

5. Carefully lower fixture until it is supported by the zip-tie.
6. Unscrew hanging loop and nipple from fixture.
7. The rest of the assembly will take place while fixture is suspended inside the crate by zip-tie.



(Figure 1)

FOR FIXED HEIGHT FIXTURE (Figure 2)

1. Locate fixture pipe assembly (B) with nipple (F) and slip it over the wires coming from fixture (A).
2. Apply a drop of the supplied thread locking compound to the internal threads of fixture coupling (C) and screw fixture pipe assembly (B) into fixture coupling, being careful not to twist the wires.

Note: Application of the thread locking compound is necessary to prevent the stem from loosening during regular maintenance and cleaning of the fixture. Be certain to apply the compound.

3. Slide wires through the hole in canopy ring (D) followed by canopy (E) and lower both pieces so they rest on the top of fixture (A).
4. Take the lock nut (G) and crossbar (H) from the kit bag.
5. Feed fixtures wires through lock nut (G) and thread lock nut onto the nipple of fixture pipe assembly (B) followed by crossbar (H).

6. Raise crossbar (H) to the ceiling and using two machine screws (not provided), fasten the crossbar (H) to the electric box.

Note: A new electric box comes with screws. When replacing a fixture, retain existing screws for use with the new fixture.

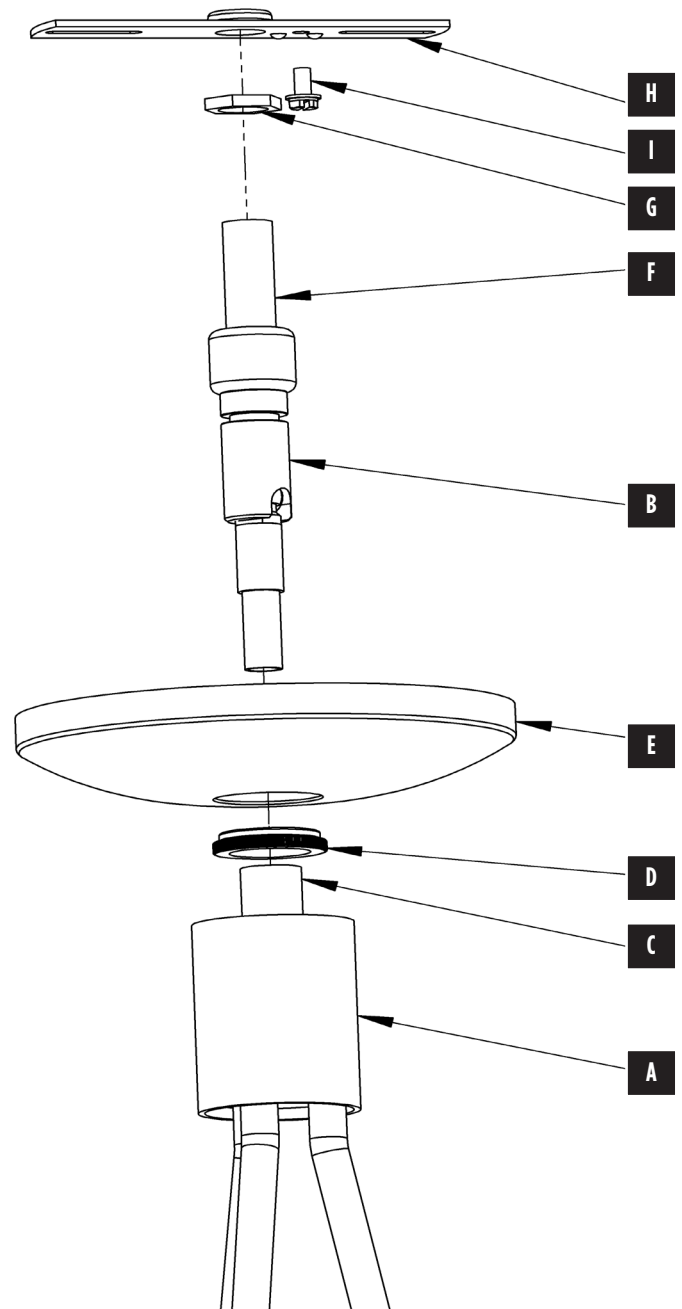
7. Using suitable wire connectors (not provided) connect fixture wires to supply wires (white to white and black to black). Attach a pigtail lead to crossbar (H) using the provided ground screw (I). Holding canopy (E) up close to crossbar, connect all ground wires (bare copper or green to bare copper or green) together.

CAUTION: MAKE SURE WIRE CONNECTORS ARE TWISTED ON SECURELY, AND NO BARE WIRES ARE EXPOSED.

8. Push canopy (E) against the ceiling and secure it with canopy ring (D).

CAUTION: BE SURE NO WIRES ARE PINCHED BETWEEN THE CANOPY (E) AND THE CEILING.

9. Follow instructions on page 8 to install crystals.



(Figure 2)

FOR ADJUSTABLE HEIGHT FIXTURE (Figures 3 - 5, following page)

1. Locate fixture pipe (J) and slip it over the wires and safety cable (K) coming from fixture (A).
2. Apply a drop of the supplied thread locking compound to the internal threads of fixture coupling (C) and screw fixture pipe (J) into fixture coupling, being careful not to twist the wires.

Note: : Application of the thread locking compound is necessary to prevent the stem from loosening during regular maintenance and cleaning of the fixture. Be certain to apply the compound.
3. Slide wires and safety cable (K) through the hole in canopy ring (D) followed by canopy (E) and lower both pieces so they rest on the top of fixture (A).
4. Slide the wires and safety cable (K) from fixture pipe (J) through canopy pipe (L), swivel (M), and nipple (F).
5. Unscrew clutch (N) from canopy pipe (L); slide it across the wires and cable (K) and onto fixture pipe (J). Follow this with the plastic sleeve (O), oriented so the tapered end nests in the clutch (N) (Figure 3). It may be necessary to loosen the set screw (P) in clutch (N).
6. Slide canopy pipe (L) over the fixture pipe (J) as far as necessary to give you the total desired height of fixture. Be careful not to scratch the pipe surface and to pull excess wire and cable (K) up through the canopy pipe. There must be a minimum of 1-1/2" of inner pipe inside the outer pipe.
7. Tighten set screw (P) in clutch (N) firmly with hex wrench provided.
8. Take the lock nut (G), crossbar (Q) and gripper (R) from the kit bag.
9. Feed fixture wires and safety cable (K) through lock nut (G) and thread lock nut onto nipple (F) followed by crossbar (Q).
10. Thread safety cable (K) through front tab on crossbar (Q) and push into gripper (R). Once cable is through the gripper attach it to crossbar (Q) using flat head screw (S) provided. Pull the safety cable through the gripper until cable is tight and has no slack. Once safety cable is at the correct height, excess cable behind the gripper can be cut off. Leave approximately one inch of cable past gripper (R) (Figure 5).
11. Raise crossbar (Q) to the ceiling and using two machine screws (not provided), fasten the crossbar to the the electric box.

Note: A new electric box comes with screws. When replacing a fixture, retain existing screws for use with the new fixture.

12. Using suitable wire connectors (not provided) connect fixture wires to supply wires (white to white and black to black). Attach a pigtail lead to crossbar (H) using the provided ground screw (I). Holding canopy (E) up close to crossbar, connect all ground wires (bare copper or green to bare copper or green) together.

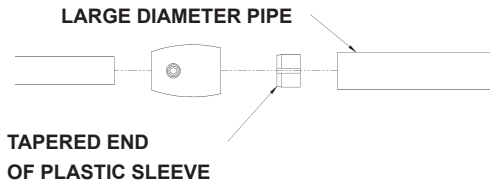
CAUTION: MAKE SURE WIRE CONNECTORS ARE TWISTED ON SECURELY, AND NO BARE WIRES ARE EXPOSED.

13. Push canopy (E) against the ceiling and secure it with canopy ring (D).

CAUTION: BE SURE NO WIRES ARE PINCHED BETWEEN THE CANOPY (E) AND THE CEILING.

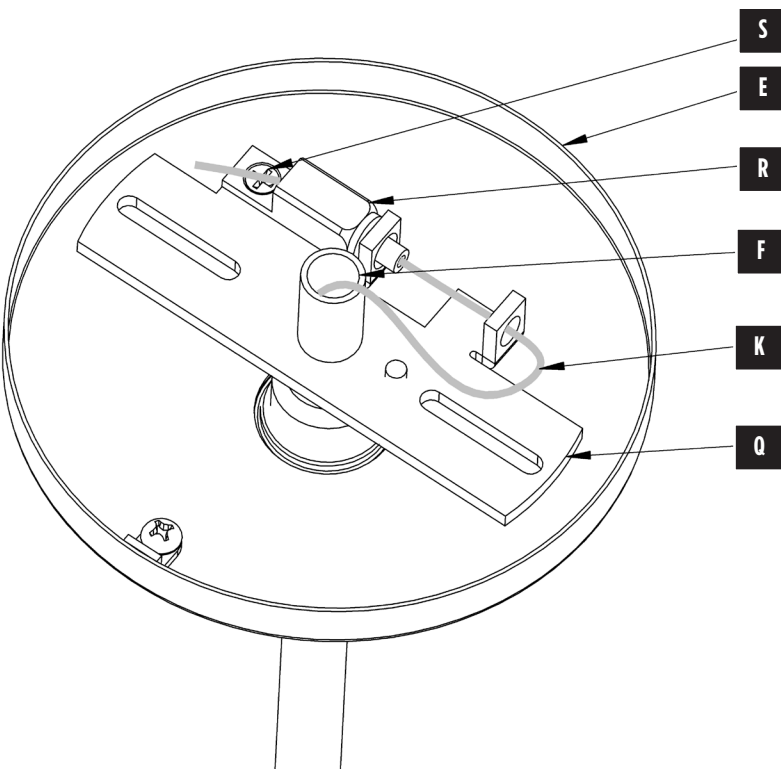
14. Follow instructions on page 8 to install crystals.

NOVA PENDANT 137740

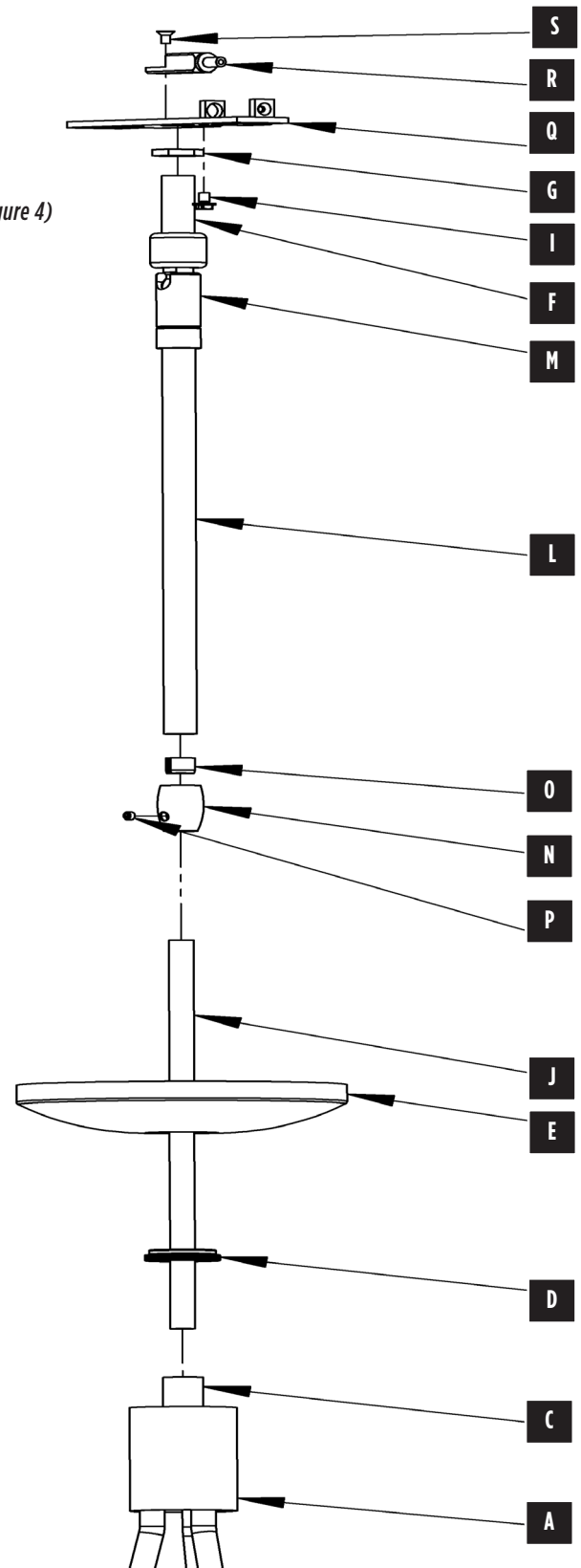


(Figure 3)

(Figure 4)



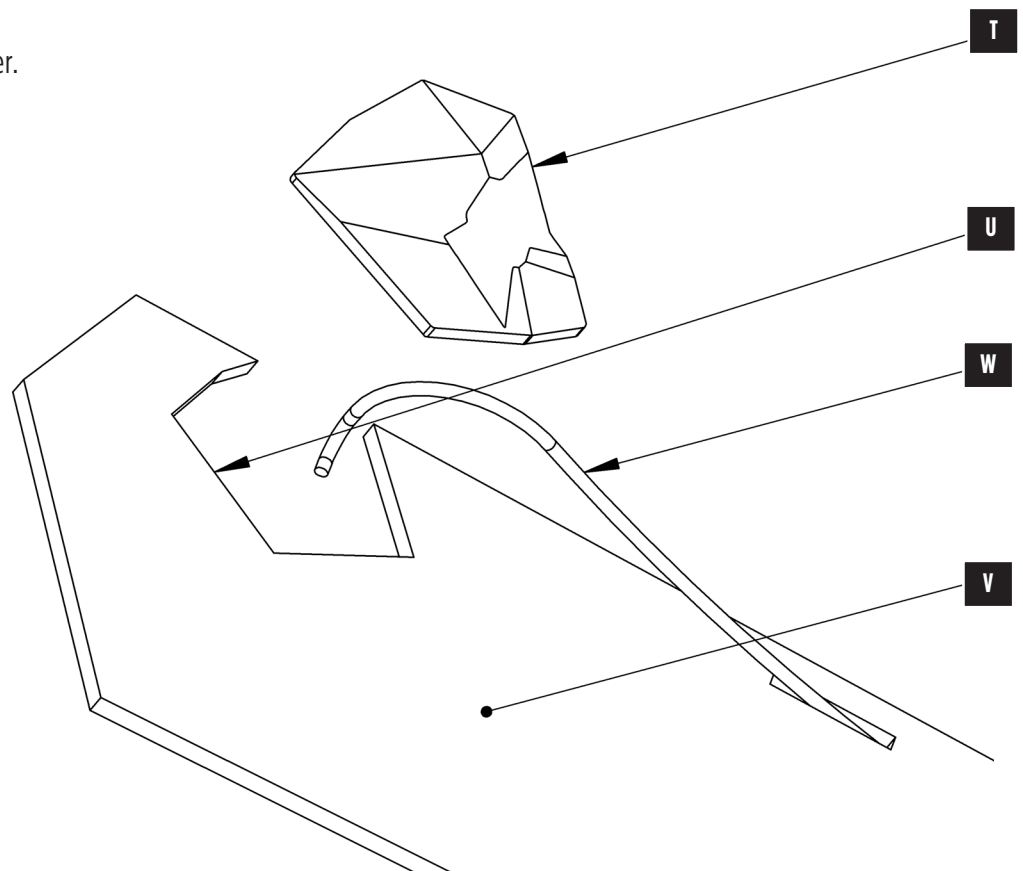
(Figure 5)



CONTINUED

TO INSTALL CRYSTALS (Figure 6)

1. Locate the crystals (T) and white gloves.
Note: Using white gloves while handling the crystals (T) will prevent smudges.
2. Place the crystal (T), with the gold side down, into the slot (U) at the end of fixture arm (V) and hold it in place using spring clip (W).
Note: Edges in crystal match edges in slot. Lining these up will allow crystal to sit properly.
3. Repeat step 2 to install remaining crystals.
4. If needed, use the provided white gloves to polish the crystals.
5. Install bulbs (not provided).
6. Restore electricity at the main breaker.



(Figure 6)

If you need further assistance, or find that you are missing any parts, please contact the dealer from which you purchased this product.
We hope you enjoy your fixture!

***Synchronicity / Hubbardton Forge will not be liable for injury or damage caused by improper installation, lamping or use of this fixture.**