

COMPONENT PARTS

A	Crossbar
B	Threaded Nipple
C	Lag Screw (2)
D	Lock Nut
E	Canopy
F	Loop Collar
G	Threaded Loop
H	Chain
I	Fixture Loop
J	Ground Screw
K	Cupped Washer
L	Hex Nut
M	Socket Cup (8)
N	Washer (8)
O	Crystal (8)
P	Socket (8)
Q	Bulb (8) - Not Included

CAUTION: FAILURE TO INSTALL THIS FIXTURE PROPERLY MAY RESULT IN SERIOUS PERSONAL INJURY OR DEATH AND PROPERTY DAMAGE. We recommend installation by a licensed electrician. This product must be installed in accordance with applicable installation code(s), by a person familiar with the construction and operation of the product and the hazards involved.*

CAUTION: Do not exceed maximum wattage noted on fixture. Use only recommended bulbs with fixture.

Please Note: After installation extra hardware and accessories are possible; our kits are used on multiple products.

TO ATTACH TO CEILING (Figure 1 - on following page)

CAUTION: BE SURE POWER IS OFF AT THE MAIN BREAKER BOX PRIOR TO INSTALLATION.

CAUTION: THIS FIXTURE MUST BE SUPPORTED INDEPENDENTLY OF AN OUTLET BOX. CROSSBAR IS DESIGNED TO FIT IN THE BOTTOM OF A STANDARD METAL 4" OCTAGONAL OUTLET BOX.

1. Carefully unpack the fixture from the carton.
2. Drill two holes through the back of the outlet box and using two lag screws (C), attach crossbar (A) to a solid structural member in the ceiling, centering the crossbar in the outlet box. Lag screws are supplied with your fixture; however, different materials and/or construction methods may require different fasteners. If in doubt, contact a qualified electrician.
3. Thread loop (G) onto nipple (B). Place canopy (E) over threaded loop and adjust nipple length to ensure a snug canopy fit using loop collar (F). Once the length is determined, set the canopy and loop collar aside and lock nipple position by tightening the locknut (D) against the crossbar (A).
4. Attach one end of the chain (H) to fixture loop (I).
5. Slide loop collar (F) and canopy (E) over chain (H) and fixture wires and rest on fixture loop (I). Thread the fixture wires through every other link of the chain (H) and up through the threaded loop (G) and nipple (B) into the outlet box.
6. Attach the other end of the chain to the threaded loop (G).
7. Using suitable wire connectors (not provided), connect fixture wires to supply wires (ribbed side of fixture cord to white supply, smooth side of fixture cord to black supply). Run a pigtail lead from the ground screw (J), cupped washer (K) and hex nut (L) on crossbar (A) and connect all ground wires (bare copper or green to bare copper or green). Push wires back into outlet box.

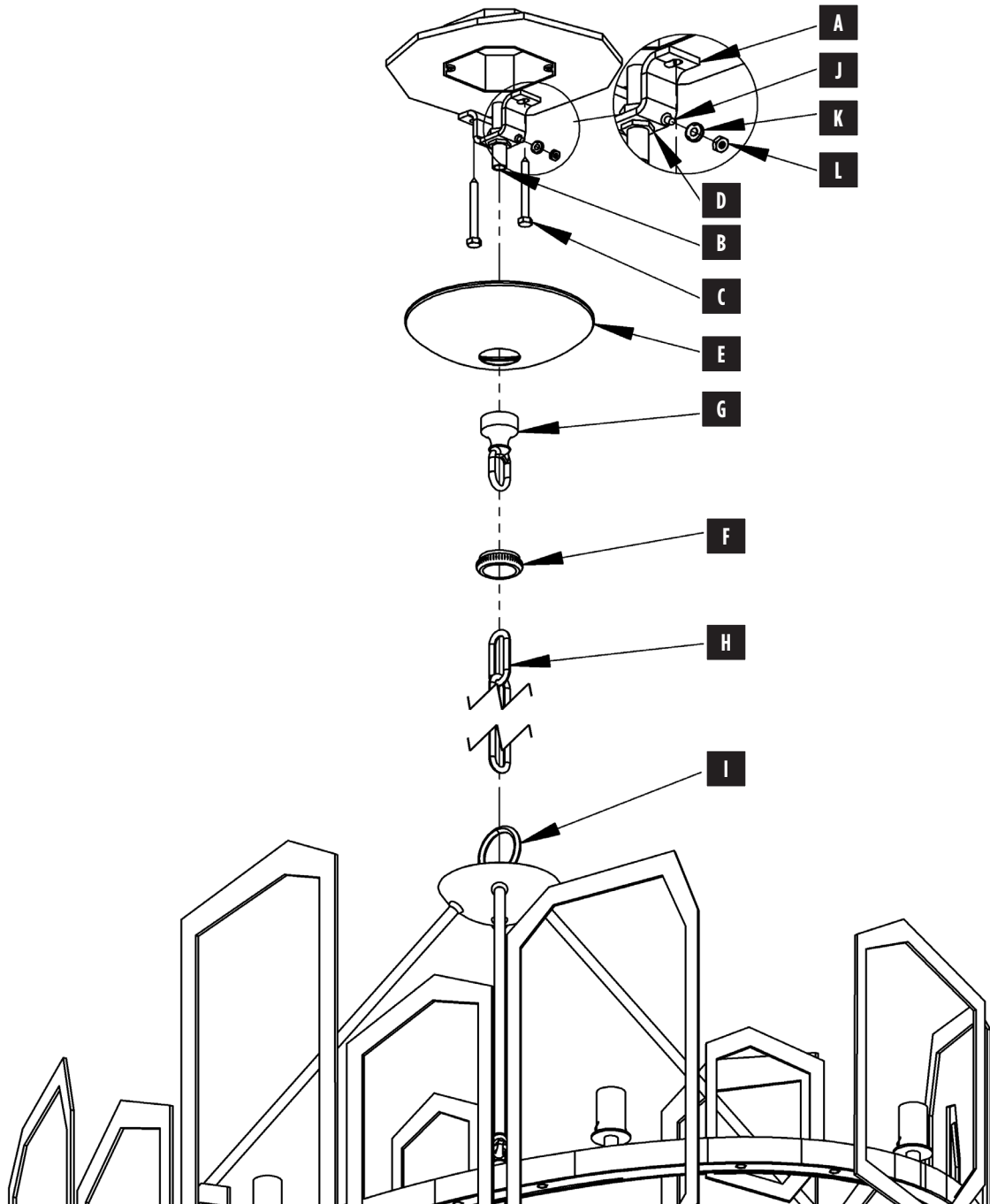
CAUTION: MAKE SURE WIRE CONNECTORS ARE TWISTED ON SECURELY AND NO BARE WIRES ARE EXPOSED.

8. Slide the canopy (E) up the chain (H) and over the threaded loop (G). Holding tight to the ceiling, secure with loop collar (F).

CAUTION: BE SURE NO WIRES ARE PINCHED BETWEEN THE CANOPY (A) AND THE CEILING.

GATSBY CHANDELIER 105020

TO ATTACH TO CEILING (Figure 1) *continued*

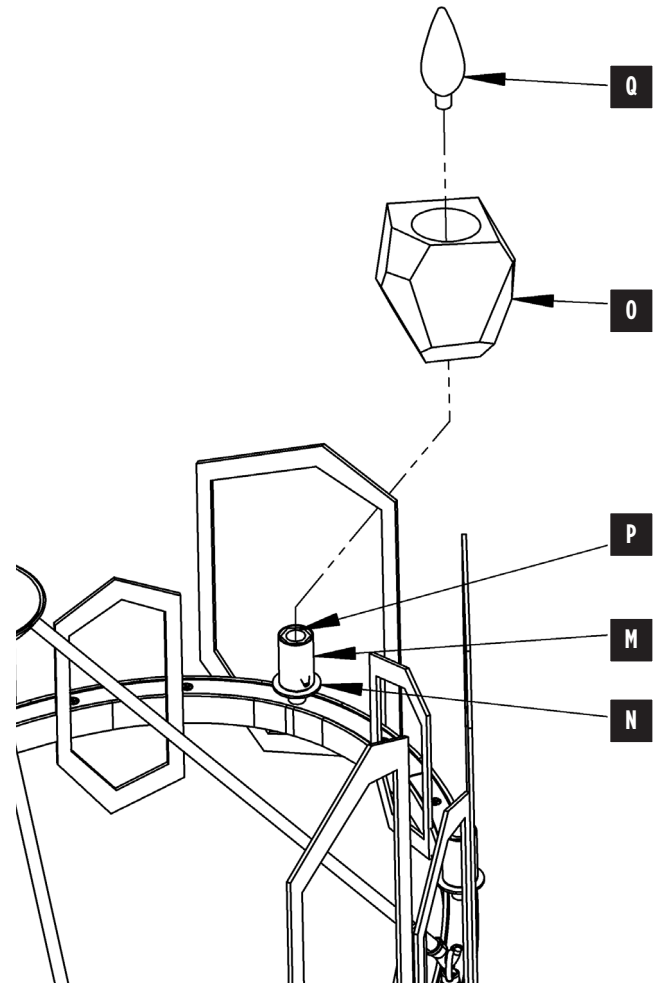


(Figure 1)

TO INSTALL CRYSTALS (Figure 2)

1. Locate the crystals (O) and white gloves.
2. Place crystal (O), smaller hole first, over socket cup (M) until it rests on washer (N). Crystal can be rotated on socket cup to desired orientation.
3. If needed, use the provided white gloves to polish the crystals (O).
4. Install bulb (Q), not included, into socket (P).
5. Repeat steps 2 thru 4 for remaining crystals (O) and sockets (P).
6. Restore electricity at the main breaker.

Note: Using white gloves while handling the crystals (O) will prevent smudges.



(Figure 2)

If you need further assistance, or find that you are missing any parts, please contact the dealer from which you purchased this product. We hope you enjoy your fixture!

*** Synchronicity / Hubbardton Forge will not be liable for injury or damage caused by improper installation, lamping or use of this fixture.**