

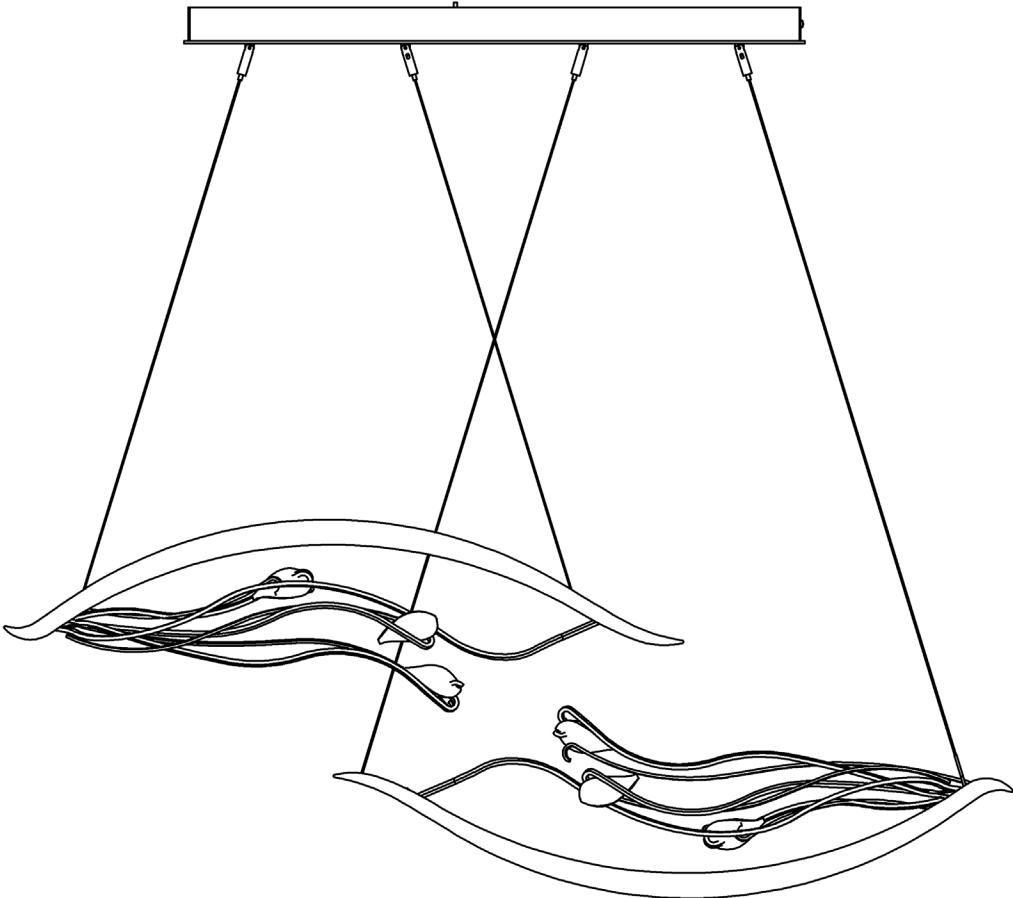


SYNCHRONICITY™

*by Subhardton Forge®*

ASSEMBLY & INSTALLATION INSTRUCTIONS

CONTENTS



## COMPONENT PARTS

A	Canopy
B	Mounting Bracket
C	Anchor (8)
D	#10 Wood Screw (8)
E	Safety Cable
F	Ground Screw
G	Cupped Washer
H	#8 Screws (3)
I	Gripper (2)
J	Support/Supply Cable (4)
K	Downward Facing Fixture
L	Upward Facing Fixture
M	Crystals (6)
N	Crystal Holder (6)
O	Crystal Lock (6)

**CAUTION: FAILURE TO INSTALL THIS FIXTURE PROPERLY MAY RESULT IN SERIOUS PERSONAL INJURY OR DEATH AND PROPERTY DAMAGE. We recommend installation by a licensed electrician. This product must be installed in accordance with applicable installation code(s), by a person familiar with the construction and operation of the product and the hazards involved.\***

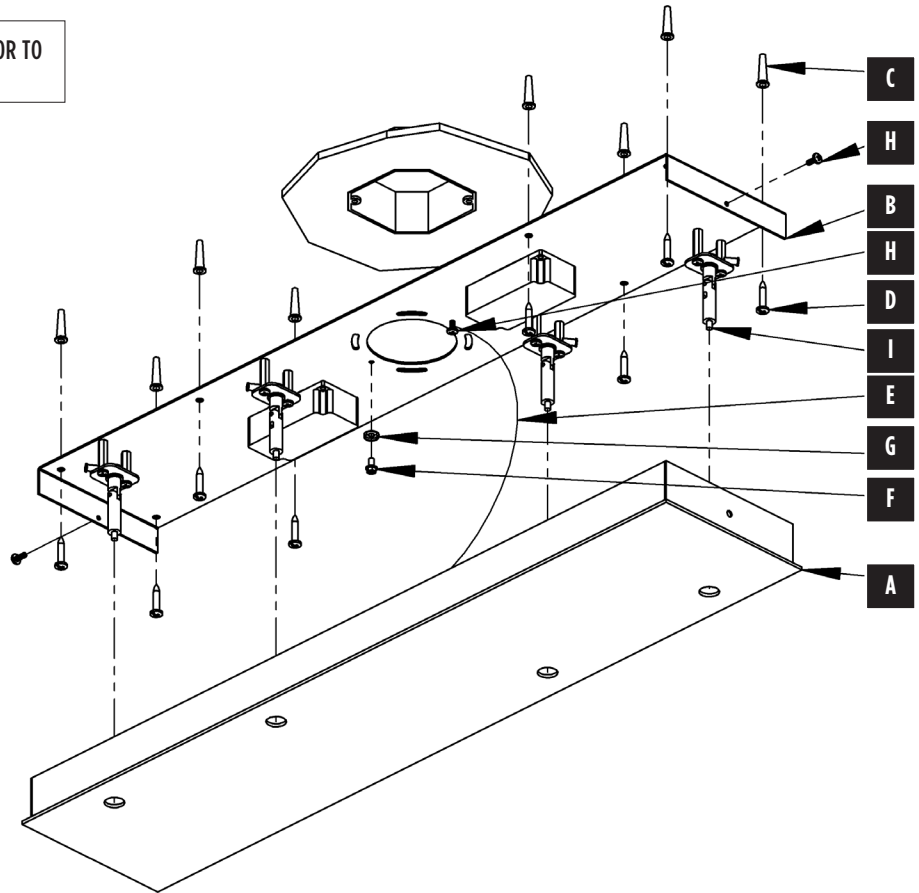
**CAUTION:** Do not exceed maximum wattage noted on fixture. Use only recommended bulbs with fixture.

*Please Note: After installation extra hardware and accessories are possible due to our kits are used on multiple products and options.*

## TO ATTACH TO CEILING (Figure 1)

**CAUTION: BE SURE POWER IS OFF AT THE MAIN BREAKER BOX PRIOR TO INSTALLATION.**

- Carefully unpack the fixture from the carton.
- Center the mounting bracket (B) over the electrical box. Be sure to line up oval slots in bracket with mounting holes in electrical box. With a pencil, mark the location of all mounting holes in the mounting bracket (B) on the ceiling.
- Put the bracket down and drill 1/4" holes in the locations marked on the ceiling. Place the tapered end of the anchors (C) into the holes and gently tap them flush to the ceiling using a light weight hammer.
- Thread the wires from the electrical box through the center hole in the mounting bracket (B) while moving the bracket into position. Using the #10 screws (D), screw the bracket (B) securely to the ceiling. Be careful not to over-tighten or strip the anchors (C).
- Using two machine screws (not provided), fasten the mounting bracket (B) to the electric box using outer oval slots. Holding canopy (A) close to ceiling, use one of the #8 screws (H) from mounting kit to attach the safety cable (E) to mounting bracket (B). This is used to temporarily suspend canopy (B) while making wiring connections.



(Figure 1)

**Note:** A new electric box comes with screws. When replacing a fixture, retain the existing screws for use with the new fixture.

CONTINUED

## COURBE DOUBLE PENDANT 139798D

**CAUTION: FAILURE TO INSTALL THIS FIXTURE PROPERLY MAY RESULT IN SERIOUS PERSONAL INJURY OR DEATH AND PROPERTY DAMAGE. We recommend installation by a licensed electrician. This product must be installed in accordance with applicable installation code(s), by a person familiar with the construction and operation of the product and the hazards involved.\***

**CAUTION:** Do not exceed maximum wattage noted on fixture. Use only recommended bulbs with fixture.

*Please Note: After installation extra hardware and accessories are possible due to our kits are used on multiple products and options.*

TO ATTACH TO CEILING (Figure 1) *continued*

- Using suitable wire connectors (not provided) connect driver wires to supply wires (white to white and black to black). Attach a pigtail lead using the ground screw (F) and cupped washer (G), found in mounting kit. Connect all ground wires (bare copper or green to bare copper or green) together.

**CAUTION: MAKE SURE WIRE CONNECTORS ARE TWISTED ON SECURELY, AND NO BARE WIRES ARE EXPOSED.**

- Line up (+) and (-) labels on the canopy (A) with the (+) and (-) labels on the mounting bracket (B).
- Slip canopy (A) over grippers (I) and press canopy (A) to ceiling.

**CAUTION: BE SURE NO WIRES ARE PINCHED BETWEEN THE CANOPY (A) AND THE CEILING.**

- Secure canopy (A) using (2) #8 black screws (H) found in mounting kit.

**CAUTION: FAILURE TO INSTALL THIS FIXTURE PROPERLY MAY RESULT IN SERIOUS PERSONAL INJURY OR DEATH AND PROPERTY DAMAGE.** We recommend installation by a licensed electrician. This product must be installed in accordance with applicable installation code(s), by a person familiar with the construction and operation of the product and the hazards involved.\*

**CAUTION:** Do not exceed maximum wattage noted on fixture. Use only recommended bulbs with fixture.

*Please Note: After installation extra hardware and accessories are possible due to our kits are used on multiple products and options.*

## TO HANG FIXTURE (Figure 2)

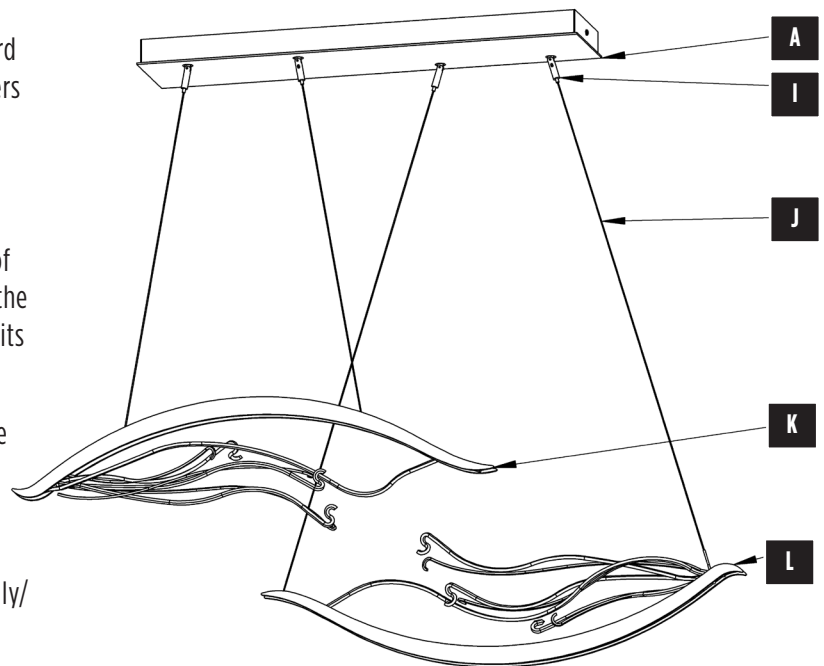
1. Locate the positive (+) and negative (-) label on the downward facing (K) and upward facing fixture (L).
2. Align the positive (+) and negative (-) labels on the downward facing fixture (K) with the positive (+) and negative (-) stickers on the canopy (A).

**Note:** See Figure 2 for fixture orientation.

3. Push the support/supply cable (J) from the positive (+) side of the fixture (K) into the gripper (I) on the positive (+) side of the canopy (A). Push the cable (J) in enough so that the cable exits the side of the gripper (I).
4. Repeat step 3 for the supply/support cable (J) on the negative (-) side.
5. Repeat steps 2 thru 4 for the downward facing fixture (L).
6. Adjust fixtures (K & L) to desired heights by pushing the supply/support cables (J) into the gripper (I).
7. If fixtures (K & L) need to be lowered, press in the plunger on the gripper (I) and pull the supply/support cables (J) out as much as needed.
8. Once the fixtures (K & L) are at the desired heights, cut the supply/support cables (J) as close to the notch in the gripper (I) as possible.

**Note:** Once cables are cut the fixture can no longer be lowered.

9. Follow instructions on the following page to install crystals.



(Figure 2)

**CAUTION: FAILURE TO INSTALL THIS FIXTURE PROPERLY MAY RESULT IN SERIOUS PERSONAL INJURY OR DEATH AND PROPERTY DAMAGE.** We recommend installation by a licensed electrician. This product must be installed in accordance with applicable installation code(s), by a person familiar with the construction and operation of the product and the hazards involved.\*

**CAUTION:** Do not exceed maximum wattage noted on fixture. Use only recommended bulbs with fixture.

*Please Note: After installation extra hardware and accessories are possible due to our kits are used on multiple products and options.*

### TO INSTALL CRYSTALS (Figure 3)

1. Locate the crystals (M) and white gloves.

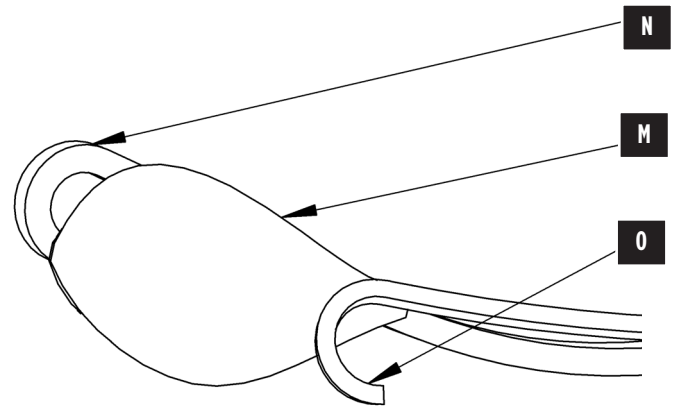
**Note:** : Using white gloves while handling the crystals (K) will prevent smudges.

2. Place larger end of crystal (M) into crystal holder (N). Crystal orientation shown in Figure 3.

**Note:** Curve in crystal (M), matches curve in crystal holder (O). Lining these up will aid in installation.

**Note:** Center crystal (M) on each fixture sits in a different orientation than the outer two crystals (M). The center crystal (M) lays flat as compared to the vertical orientation of the other two.

3. Flex crystal lock (O) until it's holding smaller end of crystal (M).
4. Repeat steps 2 and 3 to install the remaining crystals.
5. If needed, use the provided white gloves to polish the crystals.
6. Restore electricity at the main breaker.



(Figure 3)

If you need further assistance, or find that you are missing any parts, please contact the dealer from which you purchased this product. We hope you enjoy your fixture! \*Synchronicity / Hubbardton Forge will not be liable for injury or damage caused by improper installation, lamping or use of this fixture.