

# Assembly & Installation Instructions

**A474**

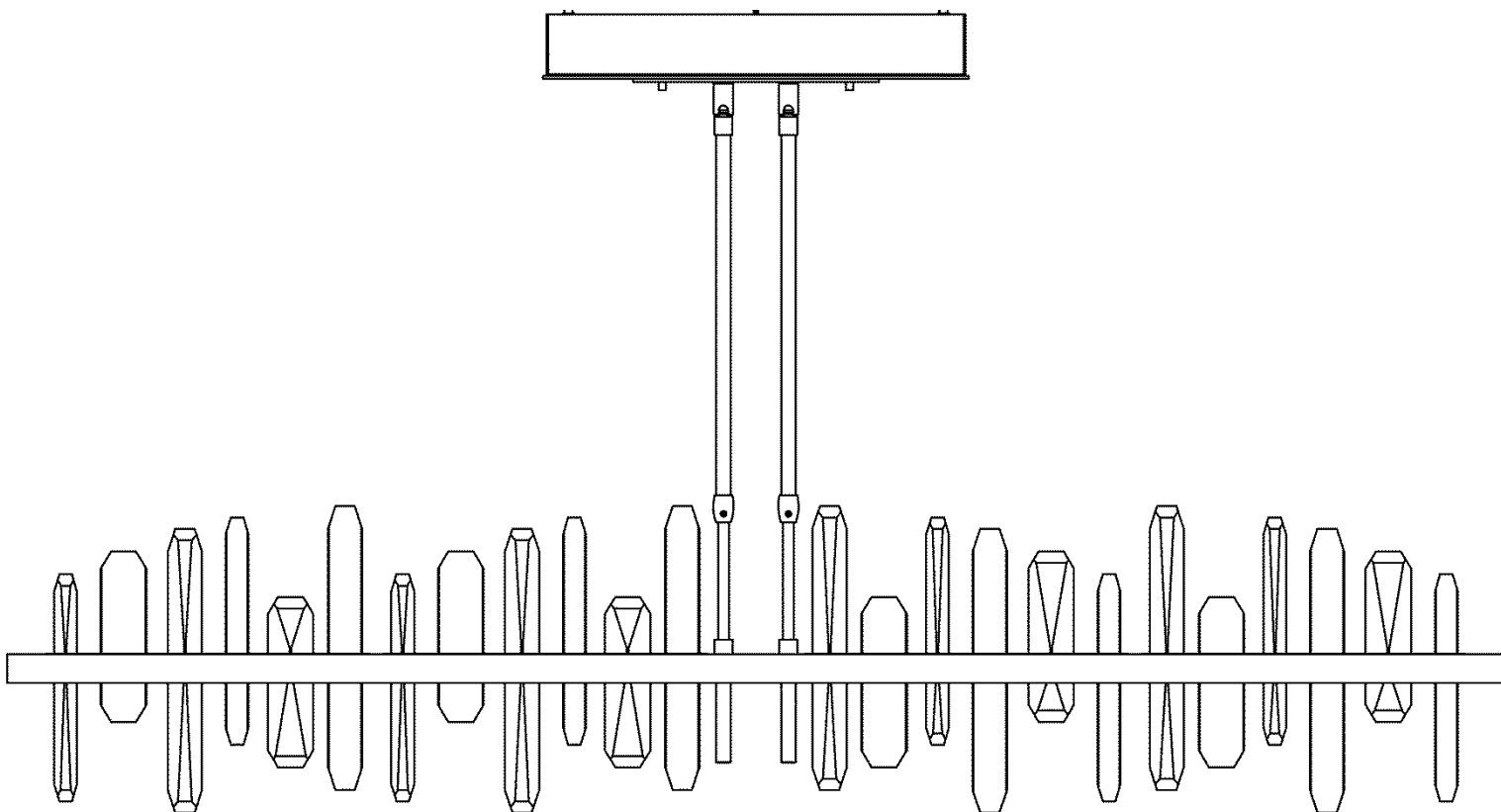
Solitude Double Pendant 139738D

Page 1 of 6

**CAUTION:** FAILURE TO INSTALL THIS FIXTURE PROPERLY MAY RESULT IN SERIOUS PERSONAL INJURY OR DEATH AND PROPERTY DAMAGE. We recommend installation by a licensed electrician.

This product must be installed in accordance with applicable installation code(s), by a person familiar with the construction and operation of the product and the hazards involved.\*

**Caution:** Do not exceed maximum wattage noted on fixture. Use only recommended bulbs with fixture.



## Component Parts

<b>A</b>	<b>Fixture Pipe (2)</b>
<b>B</b>	<b>Fixture Coupling (2)</b>
<b>C</b>	<b>Hex Nipple (2)</b>
<b>D</b>	<b>Lock Washer (2)</b>
<b>E</b>	<b>Bent Bracket</b>
<b>F</b>	<b>Canopy Pipe (2)</b>
<b>G</b>	<b>Swivel (2)</b>
<b>H</b>	<b>Clutch (2)</b>
<b>I</b>	<b>Canopy</b>
<b>J</b>	<b>Plastic Clutch Sleeve (2)</b>
<b>K</b>	<b>Set Screw (2)</b>
<b>L</b>	<b>Mounting Bracket</b>
<b>M</b>	<b>Threaded Studs (2)</b>
<b>N</b>	<b>#10 Wood Screws (4)</b>
<b>O</b>	<b>#8 Screw</b>
<b>P</b>	<b>Safety Cable</b>
<b>Q</b>	<b>Barrel Knobs (2)</b>
<b>R</b>	<b>Ground Screw</b>
<b>S</b>	<b>Cupped Washer</b>
<b>T</b>	<b>Fixture</b>
<b>U</b>	<b>Crystal Assemblies (4)</b>
<b>V</b>	<b>Light Guide Plate</b>

# Assembly & Installation Instructions

**A474**

Solitude Double Pendant 139738D

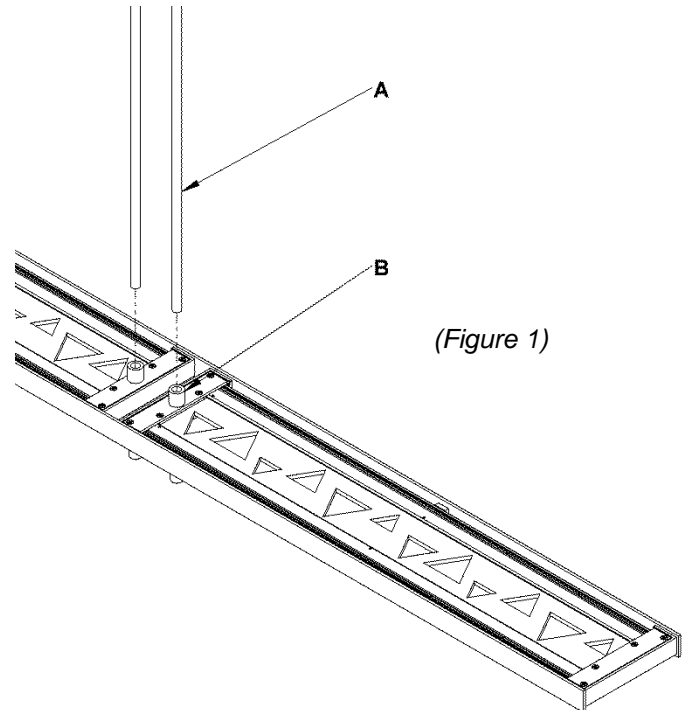
Page 3 of 6

## Attach Fixture Pipes (Figure 1)

1. Carefully unpack the fixture from the carton.
2. Carefully thread one fixture pipe (A), threaded end first, over fixture wires.
3. Apply a drop of the supplied thread locking compound to the internal threads of the fixture coupling (B) and screw fixture pipe (A) into fixture coupling (B), being careful not to twist the wires.

*Note: Application of the thread locking compound is necessary to prevent the stem from loosening during regular maintenance and cleaning of the fixture. Be certain to apply the compound.*

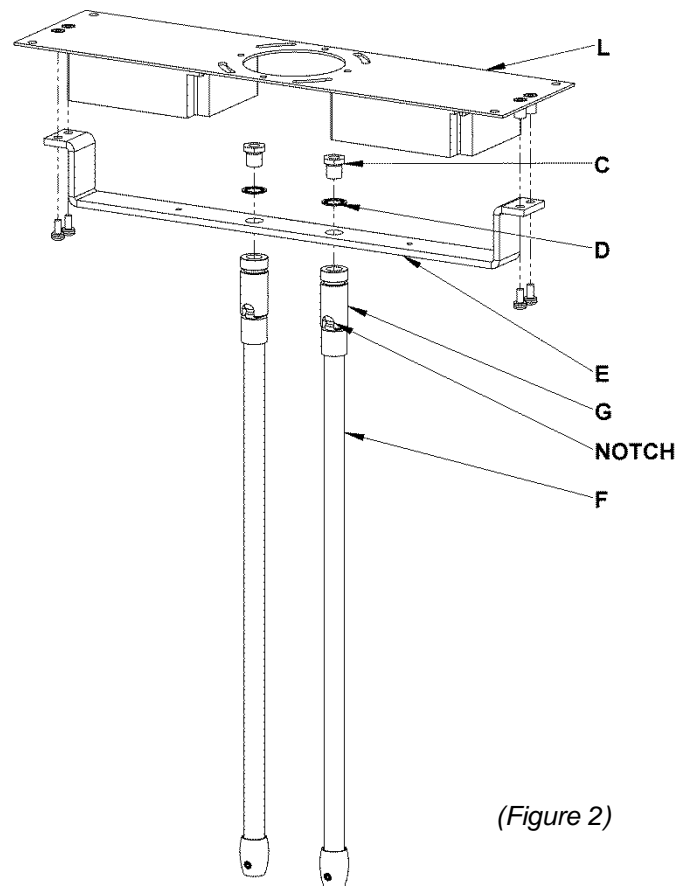
4. Repeat steps 2 & 3 for remaining fixture pipe (A).



## Assemble Canopy Pipes to Ceiling Bracket (Figure 2)

1. Hex nipples (C) and lock washers (D) are shipped installed in swivels (G). Remove these parts for use in next step.
2. Mounting bracket (L) ships attached to bent bracket (E). Remove bent bracket (E) and set mounting bracket (L) and the screws that held it aside for use later
3. Insert threaded end of hex nipple (C) down through lock washer (D), bent bracket (E) and into swivel (G)
4. Repeat step 2 for the second swivel (G)
5. Tighten securely being sure the notches in the swivels (G) are orientated properly.

*Note: If installing on a sloped ceiling, make certain that the notches in the swivel portion of the stems are orientated toward the lower side of the slope. For a flat ceiling orient notches in the same direction*



(continued)

# Assembly & Installation Instructions

**A474**

Solitude Double Pendant 139738D

Page 4 of 6

## **Complete Fixture Assembly** (Figures 3 & 4)

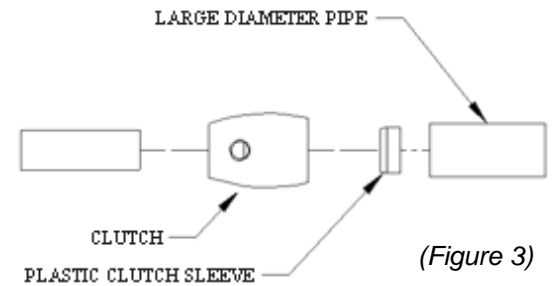
**Caution: Be sure power is off at the main breaker box prior to installation.**

1. Line up holes in canopy (I) with fixture pipes (A). Slide canopy (I) over fixture pipes (A) until canopy (I) rests on top of fixture (T). (Figure 4)

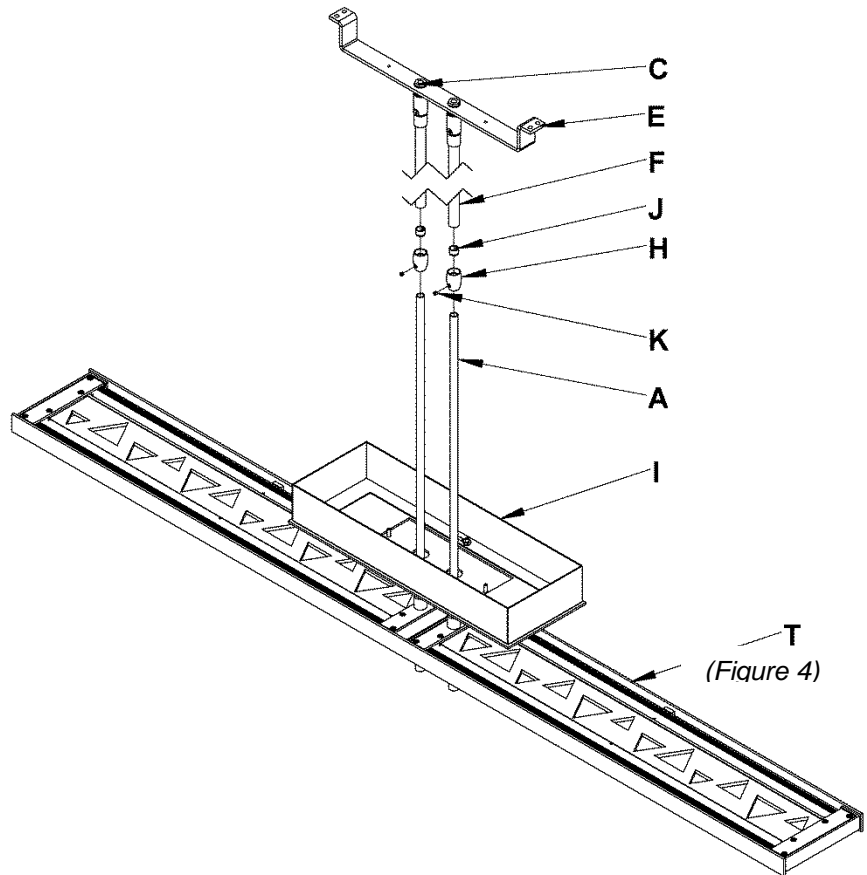
2. Unscrew the clutch (H) from the canopy pipe (F); slide it across the wires and onto the fixture pipe (A). Follow this with the plastic clutch sleeve (J). Repeat for second set of pipes.

**Note:** the plastic clutch sleeve (J) should be oriented so the tapered end nests in the clutch (H). (Figure 3)

3. Thread the wires from the fixture pipe (A) into the canopy pipe (F) and up through the hex nipple (C).
4. Slide the canopy pipe (F) onto fixture pipe (A) as far as necessary to give you the total length of the fixture which you desire. Be careful not to scratch the pipe surfaces and to pull excess wire up through the canopy pipe (F) and hex nipple (C). Once desired height has been reached, screw clutch (H) onto canopy pipe (F). There must be a minimum 1-1/2" of inner pipe inside the outer pipe. Hand-tighten the clutch to temporarily hold this adjustment. The clutch is not securely fastened at this point; do not depend on it to hold the fixture. Repeat for second canopy pipe (F).
5. Adjust the height of your fixture to the desired height and then tighten the set screws (K) firmly with the provided hex wrench. *Be sure to tighten set screws in both clutches (H)*
6. Continue with ceiling installation.



(Figure 3)



(Figure 4)

(continued)

# Assembly & Installation Instructions

**A474**

Solitude Double Pendant 139738D

Page 5 of 6

## Install to Ceiling (Figure 5)

1. Using wood screws (N) attach mounting bracket (L) to a structural member in the ceiling, centering the bracket over the outlet box.

*Note: Wood screws are supplied with your fixture; however, different materials and/or construction methods may require different fasteners. If in doubt, contact a qualified electrician. Do not attach bracket directly to outlet box.*

2. Reattach bent bracket (E) to mounting bracket (L) using the 4 screws you set aside earlier.
3. Raise Canopy (I) close to the ceiling and connect safety cable (P) from canopy (I) to mounting bracket (L) using #8 screw (O) that ships in the mounting kit bag.

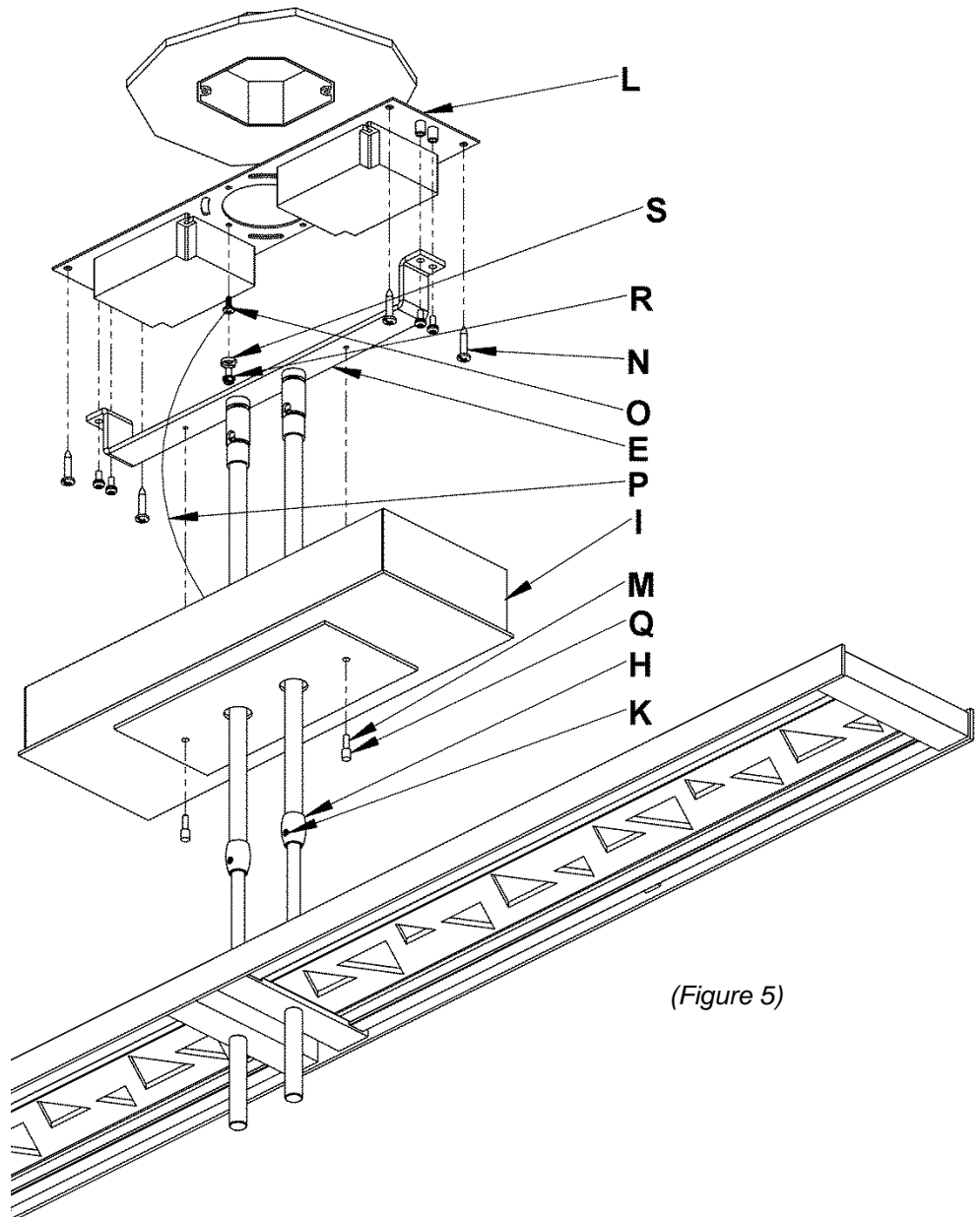
*Safety cable (P) is used to temporarily suspend canopy while wiring connections are made.*

4. The blue and red wires on the drivers are shipped with connectors attached. Connect the red wires from the fixture to the red wires from the driver using this connector. Repeat the same for the blue wires.

5. Attach a pigtail lead to the ground screw ® and cupped washer (S). Connect all ground wires (bare copper or green to bare copper or green). Push wires back into outlet box.
6. Using suitable wire connectors (not provided) connect driver wires to supply wires (white to white and black to black).

**Caution:** Make sure wire connectors are twisted on securely, and no bare wire is exposed.

7. Raise canopy (I) and push firmly to ceiling, making sure that no wires are pinched between canopy (I) and ceiling. Studs (M) ship attached to barrel knobs (Q). Screw studs (M) into bent bracket (E) to secure canopy (I).
8. Follow instructions on following page to install decorative assemblies.



(Figure 5)

(continued)

# Assembly & Installation Instructions

**A474**

Solitude Double Pendant 139738D

Page 6 of 6

## **Install Decorative Assemblies** (Figure 6)

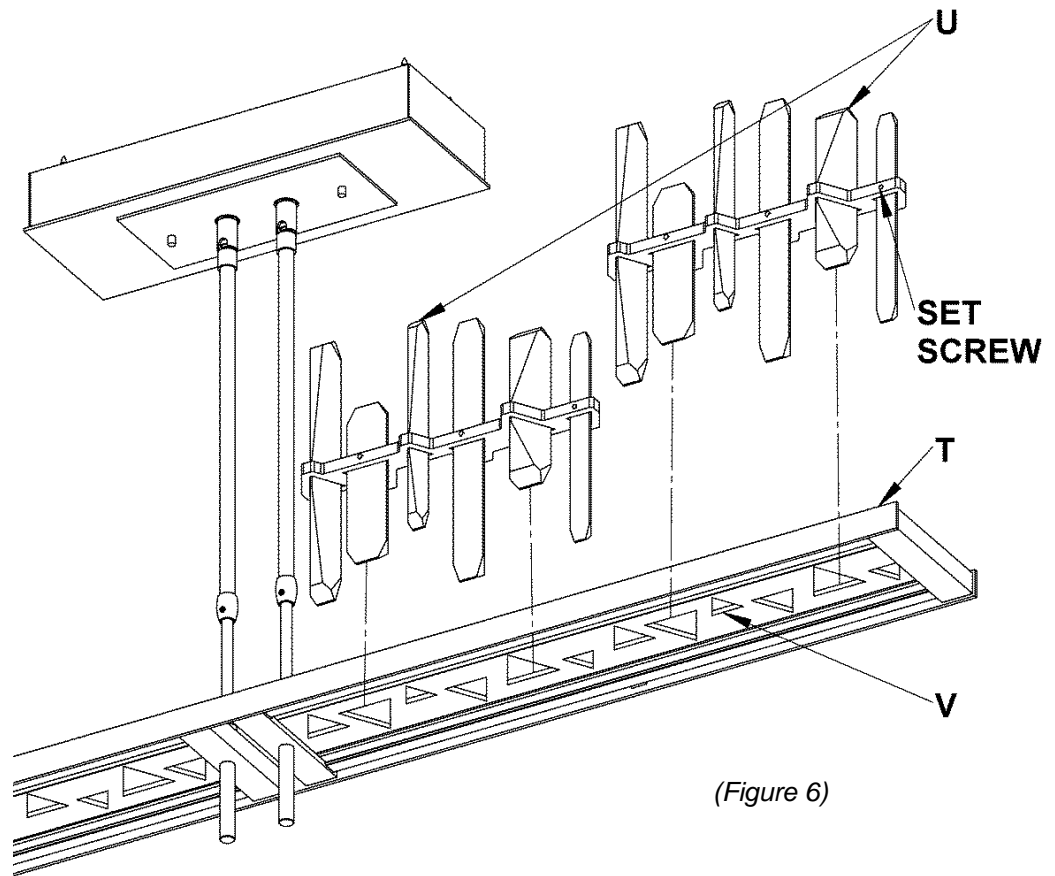
1. Using the provided white gloves, align crystal assemblies (U) with the triangle holes in light guide plate (V) and install assemblies. (Figure 6)
2. Repeat on other side of fixture (T).
3. Restore electricity at main breaker.

**Note:** The crystal assemblies can only be installed in the correct orientation

**Note:** Crystals may need to be adjusted to straight by hand after installation. The assembly is meant to be slightly loose to allow for adjustment.

**Note:** If a crystal will not adjust to straight use the provided screw driver to loosen the set screw holding the crystal a little at a time until gravity allows it hang straight.

**Note:** Any handling of the crystal should be done with white gloves on to prevent smudging. The provided white gloves can be used to gently wipe the crystals clean if needed.



(Figure 6)

*If you need further assistance, or find that you are missing any parts, please contact the dealer from which you purchased this product. We hope you enjoy your fixture!*

\* Hubbardton Forge will not be liable for injury or damage caused by improper installation, lamping or use of this fixture.