

# Installation Instructions

For 124412 & 124412F Semi-Flush

**A415**

Page 1 of 2

**CAUTION: FAILURE TO INSTALL THIS FIXTURE PROPERLY MAY RESULT IN SERIOUS PERSONAL INJURY OR DEATH AND PROPERTY DAMAGE. We recommend installation by a licensed electrician.**

This product must be installed in accordance with applicable installation code(s), by a person familiar with the construction and operation of the product and the hazards involved.\*

**Caution:** Do not exceed maximum wattage noted on fixture. Use only recommended bulbs with fixture.

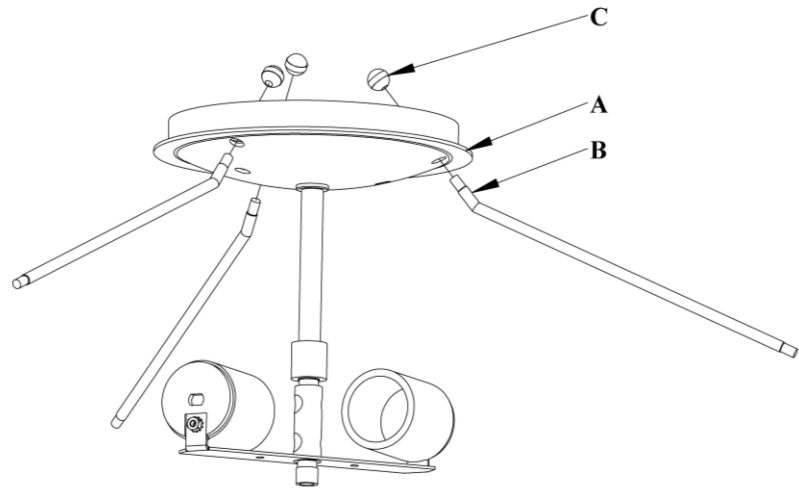
## To Attach Support Rods to Canopy

### Components

- A Canopy
- B Support Rods (3)
- C Knurled Ball (3)

**Caution: Be sure power is off at the main breaker box prior to installation.**

1. Carefully unpack the fixture from the carton.
2. Insert three support rods (B) through outer holes in canopy (A).
3. Thread knurled ball (C) onto support rod (B) until snug against inside of canopy (A).



(Figure 1)

## To Install

### Components

- A Canopy
- D Crossbar
- E Threaded Studs (2)
- F Knurled Balls (2)
- G Ground Screw

1. Thread studs (E) through appropriate holes in crossbar (D) to match hole centers in canopy (A).
2. Using two machine screws (not provided) fasten crossbar to the electric box using outer oval holes to orient fixture to desired hanging position. **Note:** A new electric box comes with screws. When replacing an existing fixture, retain the screws for use with the new fixture.
5. Using suitable wire connectors connect fixture wires to supply wires (white to white and black to black). Run a pigtail lead from grounds screw (G) and connect all ground wires.

**Caution:** Make sure wire connectors are twisted on securely, and no bare wire is exposed.

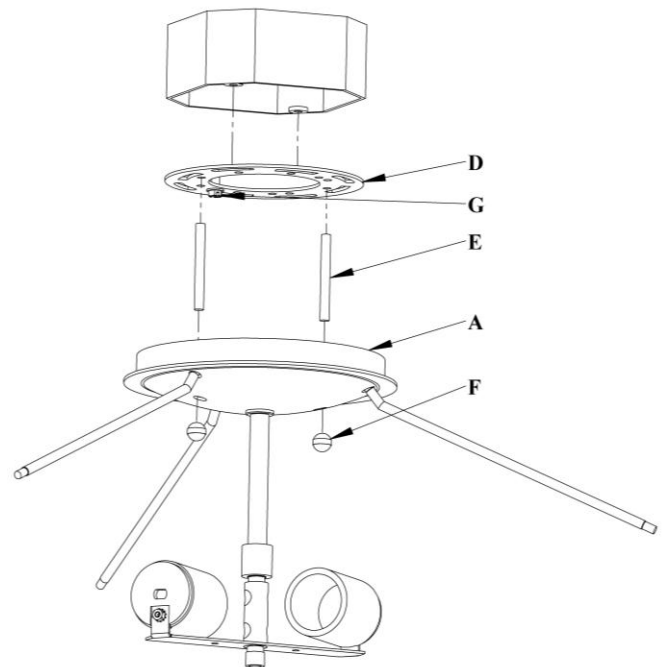


Figure 2

(Continued)

# Installation Instructions

For 124412 & 124412F Semi-Flush

**A415**

Page 2 of 2

6. Slide canopy (A) over threaded studs and push firmly to ceiling, making sure that no wires are pinched between canopy and ceiling. Fasten with knurled balls (F). Be sure studs (E) are fully seated in the knurled balls (F).
7. Install light bulb(s) (Fluorescent version bulbs are included)
8. Install glass (refer to glass installation below).

## To Install Glass

### Components

- B Support Rods (3)
- C Knurled Ball (3)
- H Ring Assembly
- I Glass

1. Attach ring assembly (H) to two of the support rods (B) using knurled ball (C).
2. Place glass (I) into ring assembly (H).
3. Move ring assembly (H) into position and secure by inserting remaining support rod (B) into ring assembly and attaching knurled ball (C).

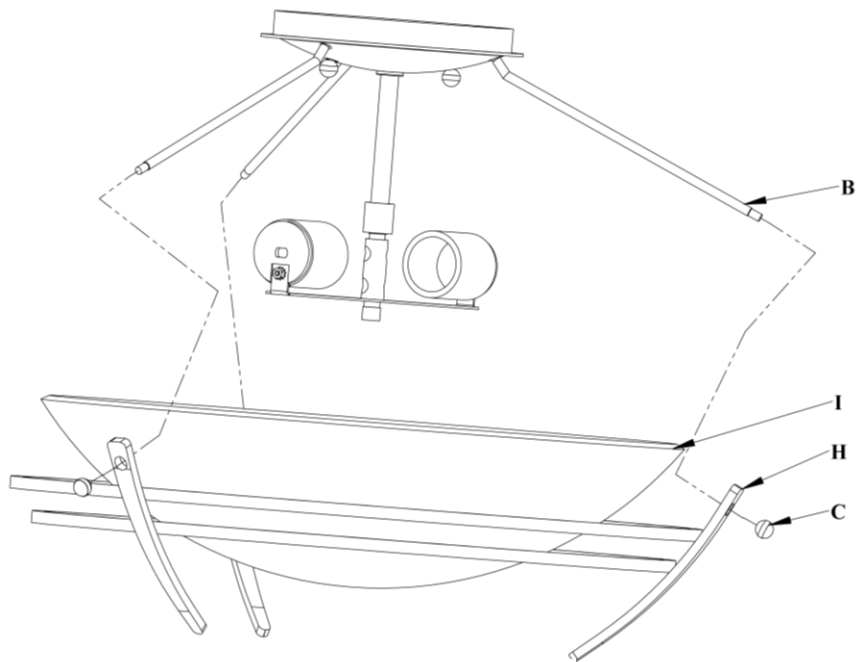


Figure 3

*If you need further assistance, or find that you are missing any parts, please contact the dealer from which you purchased this product. We hope you enjoy your fixture!*

\* Hubbardton Forge will not be liable for injury or damage caused by improper installation, lamping or use of this fixture.