

Assembly & Installation Instructions

For Compass Chandelier 19-453000 & 19-453600

A121

Page 1 of 3

CAUTION: FAILURE TO INSTALL THIS FIXTURE PROPERLY MAY RESULT IN SERIOUS PERSONAL INJURY OR DEATH AND PROPERTY DAMAGE. We recommend installation by a licensed electrician.

This product must be installed in accordance with applicable installation code(s), by a person familiar with the construction and operation of the product and the hazards involved.*

Caution: Do not exceed maximum wattage noted on fixture. Use only recommended bulbs with fixture.

Install the Canopy (Figure 1)

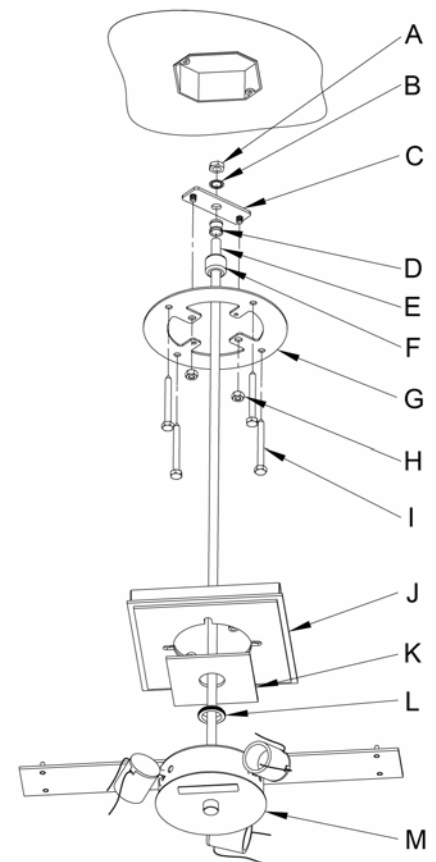
Component Parts

A	Hex Nut	F	Coupling	K	Cover Plate
B	Lock Washer	G	Crossbar	L	Canopy Ring
C	Hang Plate	H	1/4-20 Hex Nut (2)	M	Socket Assembly
D	Spacer	I	Lag Screw (4)		
E	Threaded Nipple	J	Canopy		

Caution: Be sure power is off at the main breaker box prior to installation.

Caution: This fixture must be supported independently of an outlet box.

1. Using at least two lag screws (I) attach cross bar (G) to a structural member in the ceiling, centering the crossbar over the outlet box. We've supplied lag screws with your fixture; however, different materials and/or construction methods may require different fasteners. If in doubt, contact a qualified electrician. Do not attach crossbar directly to outlet box.
2. Slip canopy ring (L), large diameter first, over threaded nipple (E) and thread on and over coupling (F) followed by cover plate (K) and canopy (J) coming to rest on socket assembly (M).
3. Slip spacer (D) onto threaded nipple (E) so it rests on top of coupling (F).
4. Slip hang plate (C) onto threaded nipple (E) so it rests on top of spacer (D).
5. Slip lock washer (B) over threaded nipple (E). Thread hex nut onto threaded nipple (E) and tighten against lock washer (B) and hang plate (C).
6. Push hang plate (C) at top of fixture up into electrical box, past the crossbar (G). Turn the hanger plate and drop the screws into the larger inner holes in the crossbar (G). Make sure no wires are pinched. Secure using two 1/4-20 nuts (H).
7. Using suitable wire connectors (not provided), connect fixture wires to supply wires (white or ribbed side of fixture cord to white supply, black or smooth side of fixture cord to black supply, and bare copper to bare copper or green supply). Push wires back into outlet box. **Caution:** Make sure wire connectors are twisted on securely, and no bare wire is exposed.



(Figure 1)

(continued)

Assembly & Installation Instructions

For Compass Chandelier 19-453000 & 19-453600

A121

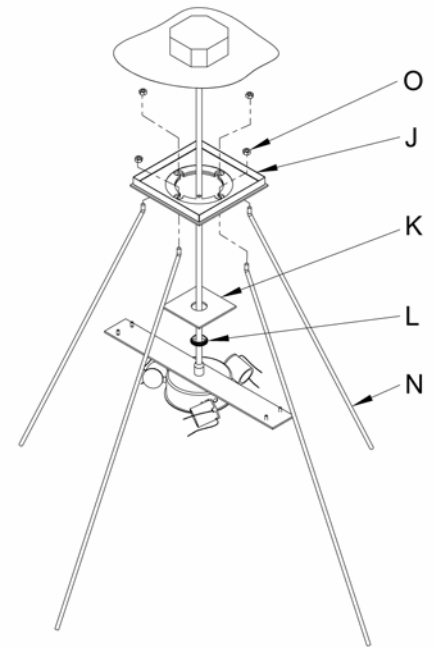
Page 2 of 3

Install the Threaded Rods (Figure 2)

Component Parts

- J Canopy
- K Cover Plate
- L Canopy Ring
- N Threaded Rod (4)
- O Hex Nut (4)

1. Slip bent end of threaded rod (N) through slots in canopy (J).
2. Thread hex nut (O) onto threaded rod (N) until snug against inside of canopy (J).
3. Slide fixture canopy (J) and cover plate (K) against ceiling, and secure with canopy ring (L). *Be sure cover plate is aligned square with canopy.*



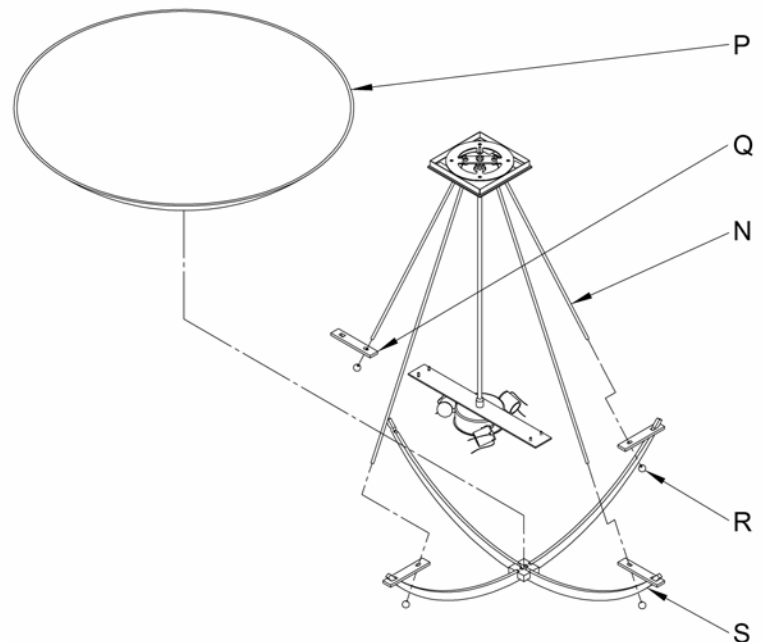
(Figure 2)

To Install Glass Frame and Glass (Figure 3)

Component Parts

- N Threaded Rod (4)
- P Glass
- Q Tab
- R Threaded Ball (4)
- S Glass Frame

1. Slip tabs on glass frame (S) onto three threaded rods (N) and attach with threaded ball (R).
2. Slip glass (P) into glass frame (S) so it rests below the three tabs.
3. Slip tab (Q) onto last threaded rod (N) and slide onto glass frame (S).
4. Thread threaded ball (R) onto threaded rod (N).
5. Install light bulbs (not provided).



(Figure 3)

(continued)

Assembly & Installation Instructions

For Compass Chandelier 19-453000 & 19-453600

A121

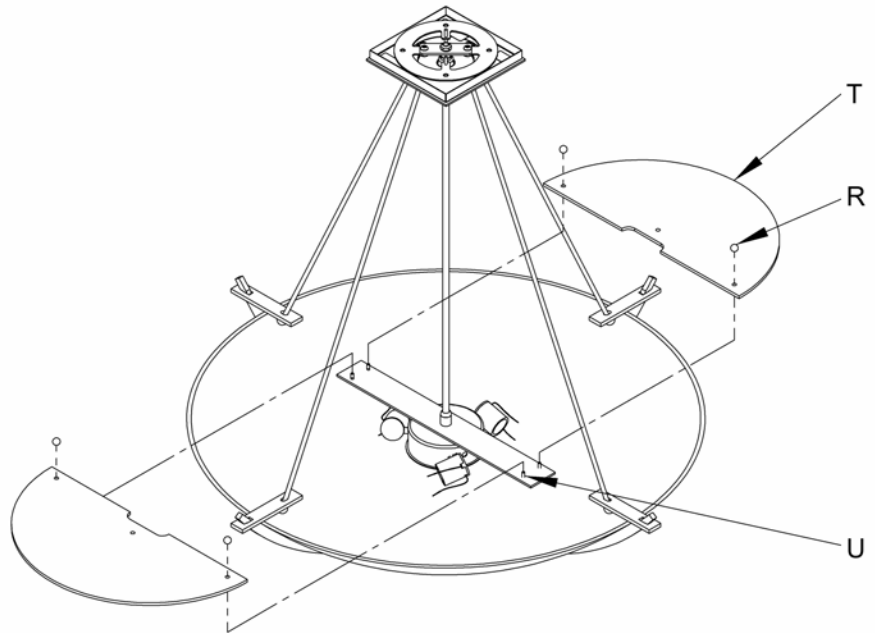
Page 3 of 3

To Install Diffuser Glass (Figure 4)

Component Parts

- R Threaded Ball (4)
- T Diffuser Glass (2)
- U Threaded Stud (4)

1. Slip diffuser glass (T) over threaded stud (U).
2. Install threaded ball (R) onto threaded stud (U) until snug against diffuser glass (T). Be careful not to over tighten.
3. Restore electricity at main breaker.



(Figure 4)

If you need further assistance, or find that you are missing any parts, please contact the dealer from which you purchased this product. We hope you enjoy your fixture!

* Hubbardton Forge will not be liable for injury or damage caused by improper installation, lamping or use of this fixture.