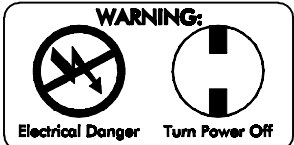


# CRYSTORAMA

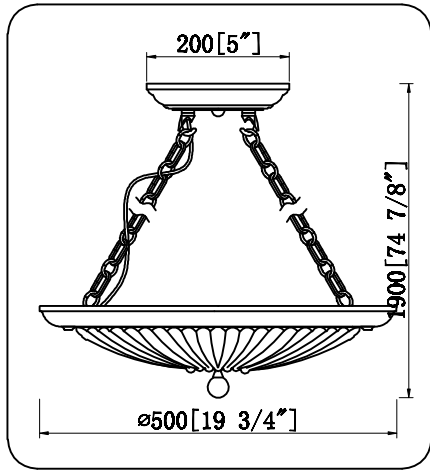
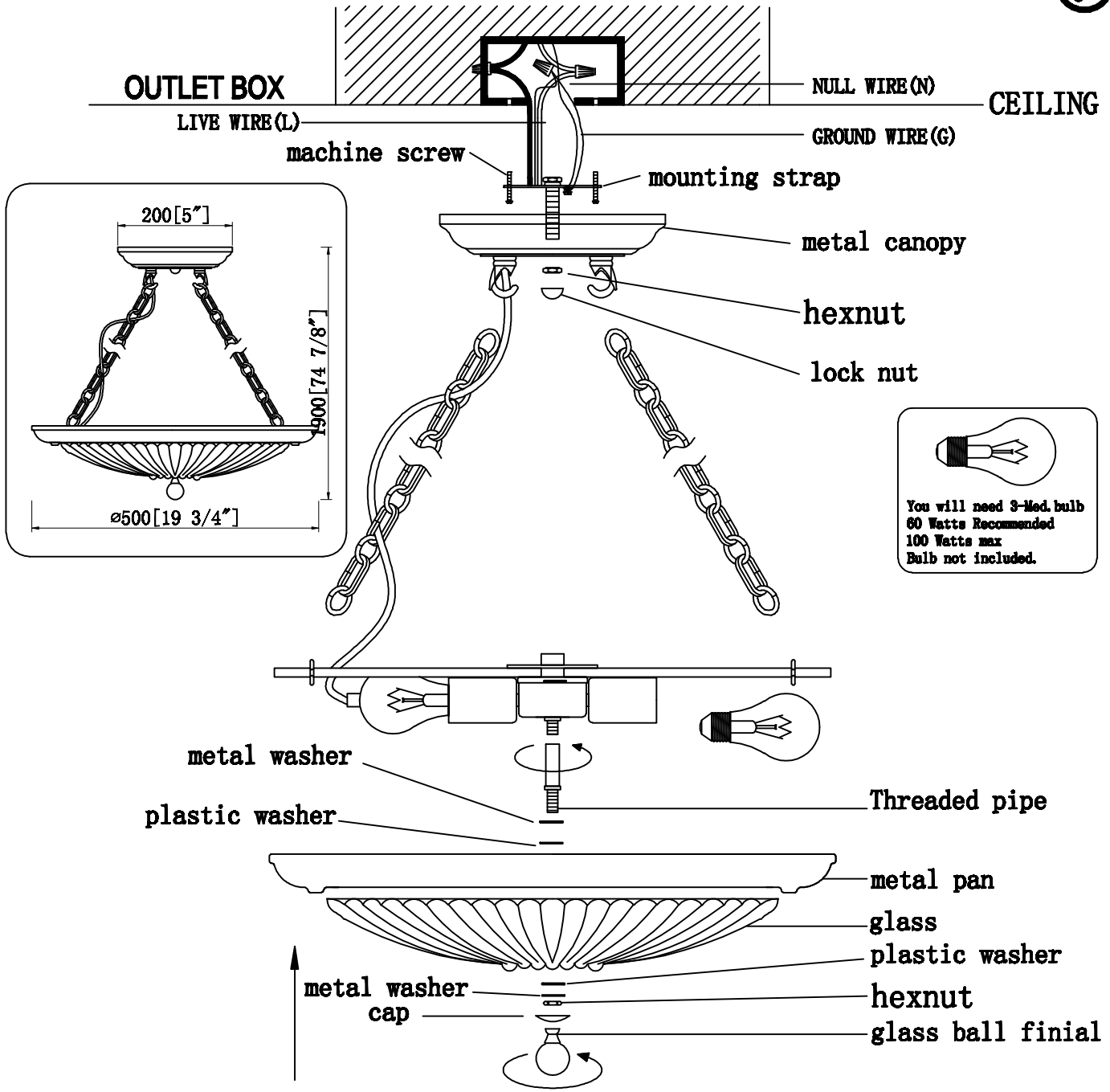
1958

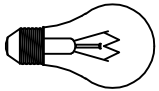
95 Cantiague Rock Road, Westbury NY 11590  
 ph: 516.931.9090 fax: 516.931.1254  
 info@crystorama.com www.crystorama.com

## MODEL#: 9943-AB ASSEMBLY AND DRESSING INSTRUCTIONS



All electrical components must be installed by a licensed electrician in accordance with the National Electric Code and the appropriate local electrical codes.



  
 You will need 3-Med. bulb  
 60 Watts Recommended  
 100 Watts max  
 Bulb not included.